



VITREOUS CHINA

TOILET  
21-325

LAVATORIES

TOILETS

BIDETS / URINALS

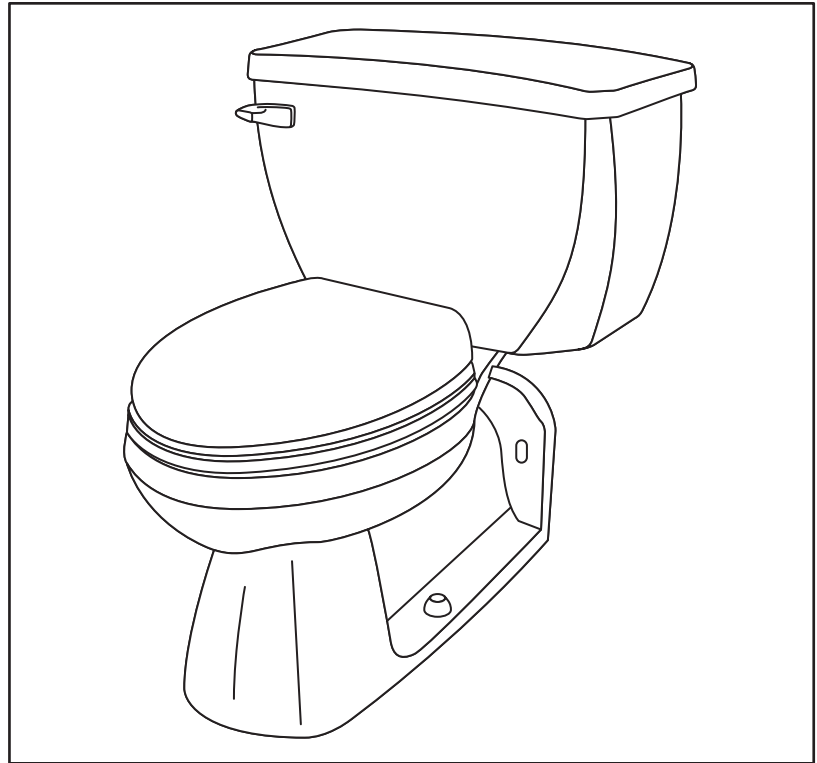
CAST IRON



# ULTRA FLUSH® Pressure-Assist Toilet 17" High, Elongated, Back Outlet

### Features:

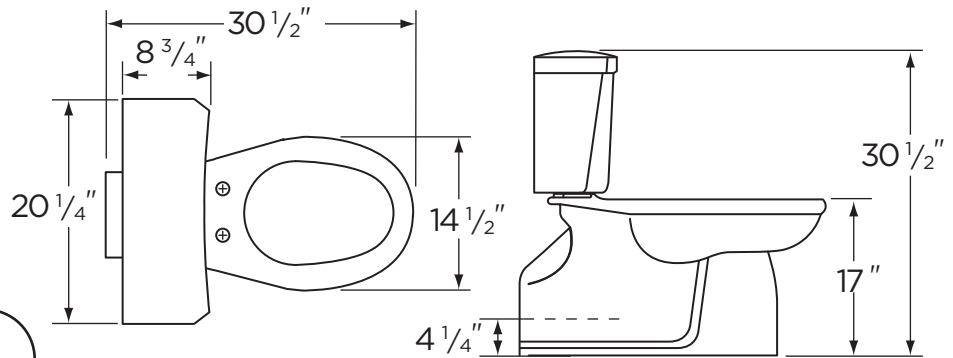
- Low Consumption 1.6 gpf (6.0 Lpf)
- Elongated Bowl
- Wall Waste Outlet
- Pressurized Flushing Action
- Close Coupled Flushometer Tank
- Siphon Jet
- Front Tank Lever
- Optional right-handed trip lever available
- ADA Compliant
- 2 Bolt Caps



### Dimensions:

- Height ..... 30 1/2"
- Width ..... 20 1/4"
- Depth ..... 30 1/2"
- Rough-in (vertical) ..... 4 1/4"
- Water Surface from Rim .... 4 1/2"
- Trapway (min) ..... 2"
- Water Surface ..... 14" x 11"
- Water Seal ..... 3"
- Shipping Weight ..... 105 lbs

**Specifications:** Bowl—#21-375 Elongated Bowl Tank—#28-380  
Seat not included



THIS FIXTURE QUALIFIES ACCORDING TO ASME TEST PROCEDURES AS A LOW CONSUMPTION WATER CLOSET WITH AN AVERAGE CONSUMPTION OF 1.6 GAL. OR LESS.



www.gerberonline.com

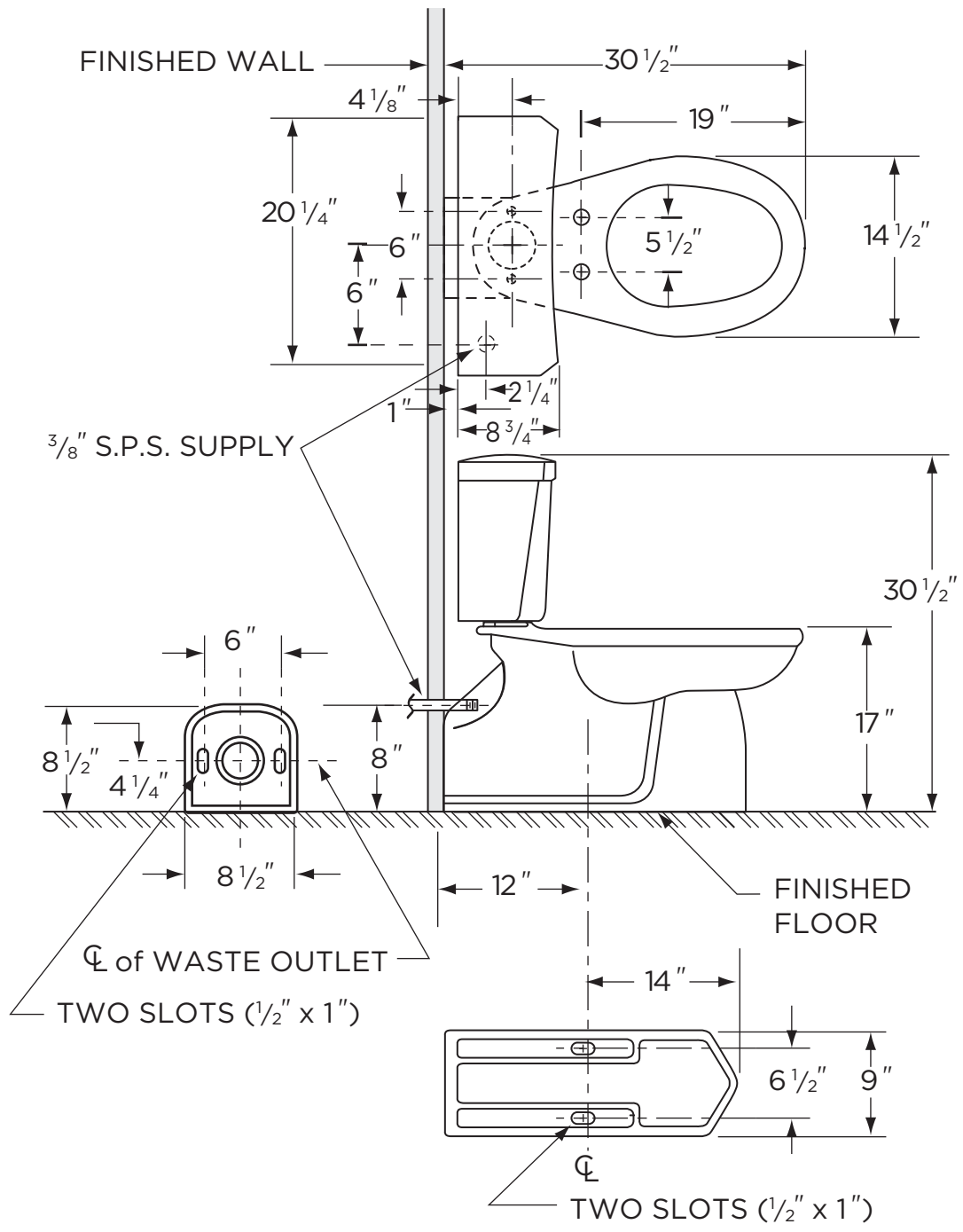
Job Name	
Date	
Model Specified	
Quantity	
Customer	
Contractor	
Architect/engineer	



# 1.6 gpf (6 Lpf) LOW CONSUMPTION ULTRA FLUSH® TOILET

21-325

17" High, Elongated, Back Outlet  
(Bowl 21-375 with Tank 28-380)



**NOTES:**  
 All dimensions are in inches.  
 Illustrations may not be drawn to scale.

**IMPORTANT:**  
 Dimensions of fixtures are nominal and may vary within the range of tolerances established by ASME Standard A 112.19.2.  
 THIS FIXTURE QUALIFIES ACCORDING TO ASME TEST PROCEDURES AS A LOW CONSUMPTION WATER CLOSET WITH AN AVERAGE CONSUMPTION OF 1.6 gpf (6 Lpf) OR LESS.