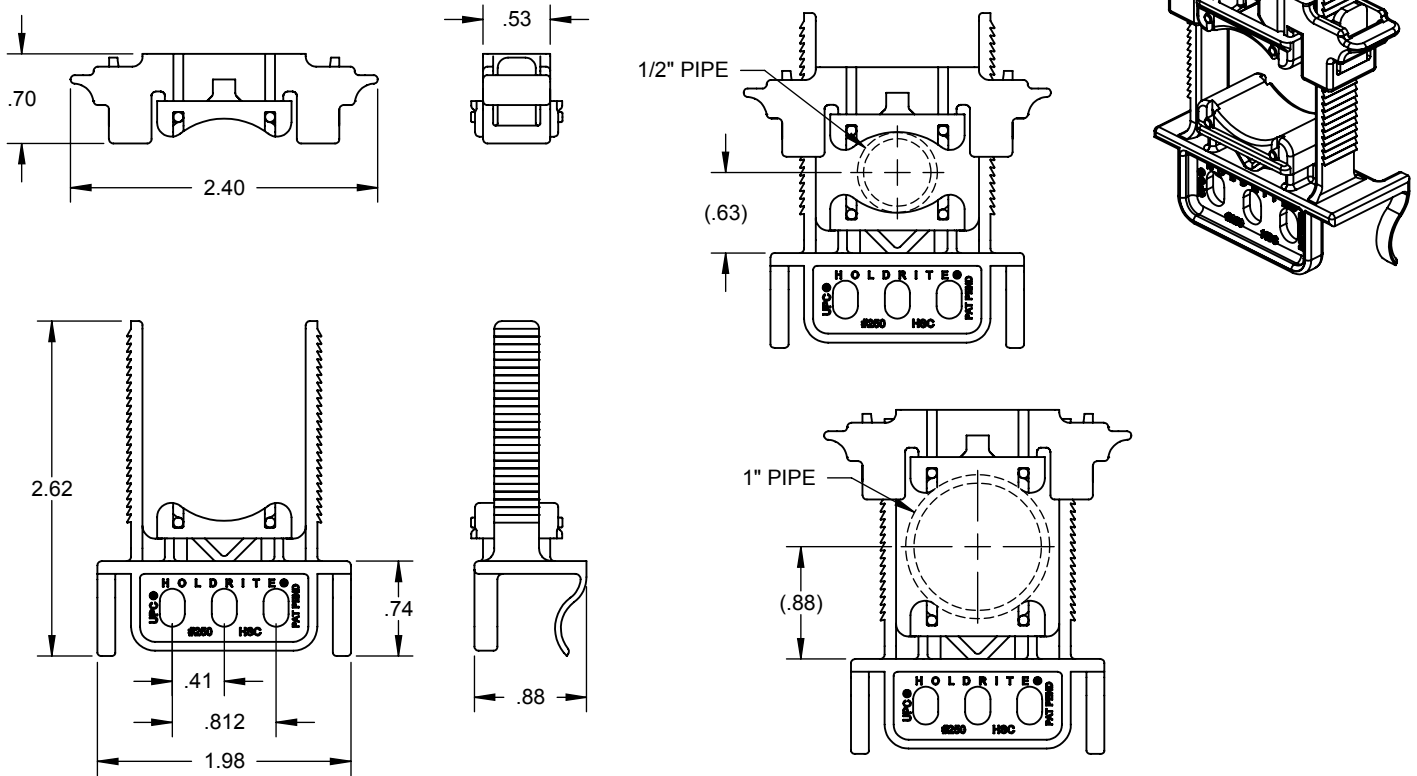


PRODUCT SPECIFICATION DRAWING

HOLDRITE® STOUT CLAMP™ #250



ALL DIMENSIONS IN INCHES

The HOLDRITE® Stout Clamp™ #250 is a strong, sound rated variable closure clamp compatible with Copper, PEX, CPVC pipe, conduit, etc. Supports up to 1" CTS tubing sizes. Frame work complies with UL94V-2 fire rating and UPC listed.

Product Information:

- Material:
 Top & Bottom clamp: Nylon, medium blue, FR UL94V-2
 Pads: TPR, natural (off-white), 50 shore A
- Temperature range: -10°F to 180°F
- Load rating: 25 lbs in suspended mode, 200 lbs maximum in top mount
- UPC / IPC listed
- IAPMO listed, per standard PS42-96
- Patent Pending



THIS INFORMATION IS PROPRIETARY TO HOLDRITE AND IS SUBJECT TO CHANGE WITHOUT NOTICE. IT MAY NOT BE REPRODUCED IN PART OR WHOLE WITHOUT WRITTEN AUTHORIZATION.

HOLDRITE®

CONVERTING MAKESHIFT METHODS INTO ENGINEERED SOLUTIONSSM
 800-321-0316 OR 760-744-6944 / FAX: 760-744-0507 / WWW.HOLDRITE.COM
 spec_250_RevH

Product Submittal	
Job Name:	
Date:	
Part Number:	Qty:
Architect / Owner:	
Contractor:	
Notes:	