



# Solid/Expressions™

61" vanity top with single Verticyl™ oval cutout  
K-5765

## Features

- Pairs with KOHLER Verticyl oval undermount bathroom sinks or other KOHLER 17" x 14" (432 x 356 mm) oval undermount bathroom sinks
- Pilot holes for 4" (102 mm) centerset, 8" (203 mm) widespread, or single-hole faucet installation
- Sculpted edge
- Coordinates with the industry-standard 60" (1524 mm) KOHLER vanities
- Field trimmable for alcove and corner installations
- Optional side and backsplashes available (sold separately)

## Installation

- Vanity top
- Includes mounting hardware for sink
- Accommodates single, 4" centerset, and 8" widespread faucet configurations

## Required Products/Accessories

K-2881 19-1/4" oval undermount bathroom sink



## Codes/Standards

None Applicable


## KOHLER® One-Year Limited Warranty

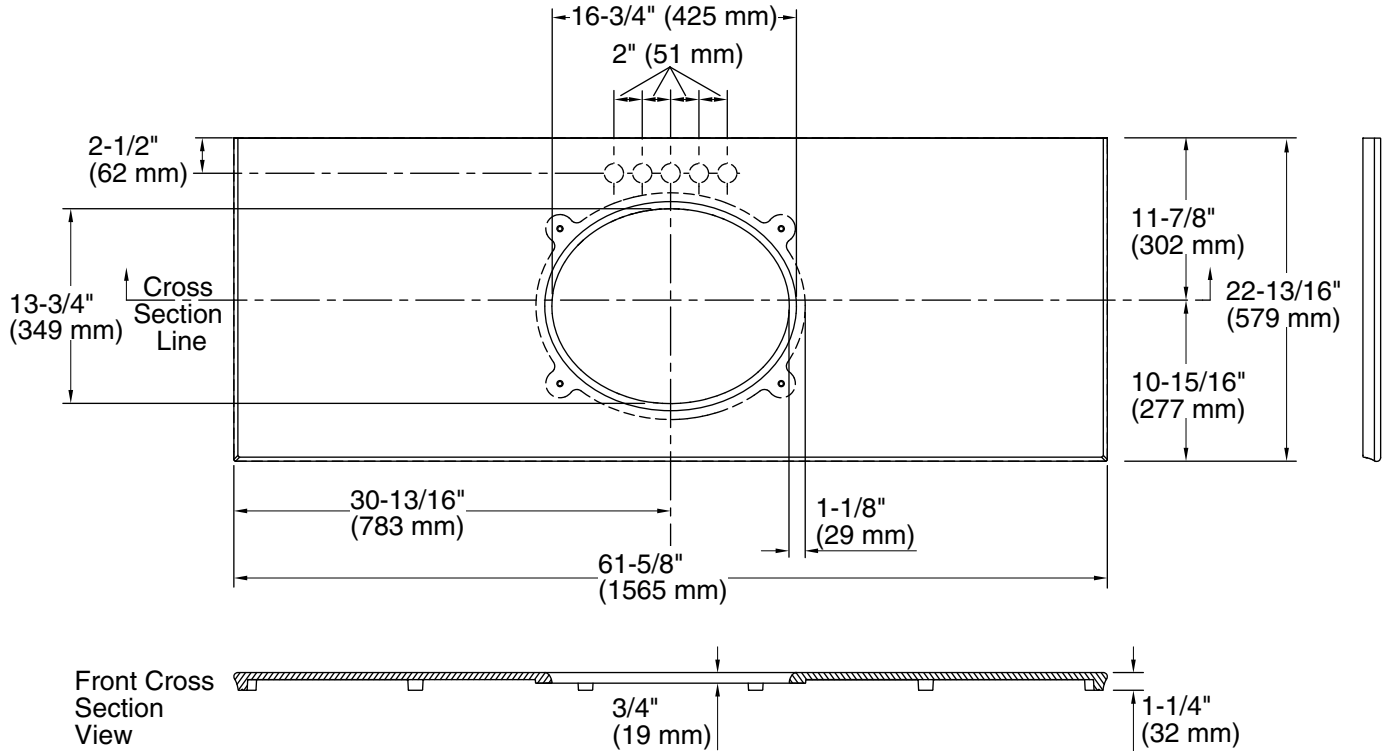
See website for detailed warranty information.

## Available Colors/Finishes

*Color tiles intended for reference only.*

Color	Code	Description
-------	------	-------------

	S33	White Expressions
---	-----	-------------------



### Technical Information

All product dimensions are nominal.

Bowl configuration: Single  
 Installation: Vanity top/ITB  
 Bowl area (Only): Length: 16-3/4" (425 mm)  
 Width: 13-3/4" (349 mm)

### Notes

Install this product according to the installation instructions.

Observe all local plumbing and building codes.

This countertop is designed to be installed with a KOHLER or standard-size vanity.

Faucet hole and sink-mounting locations are marked on the underside of the countertop.