

Features

- Includes faceplate with metal cross handle
- A single handle controls both on/off activation and temperature setting
- Metal cross handle
- Coordinates with Artifacts faucets and accessories

Material

- Premium material construction with metal handle ensures reliability and durability

Installation

- Trim only; requires valve to complete installation (sold separately)



ADA

Codes/Standards

ASME A112.18.1/CSA B125.1

ADA






ICC/ANSI A117.1

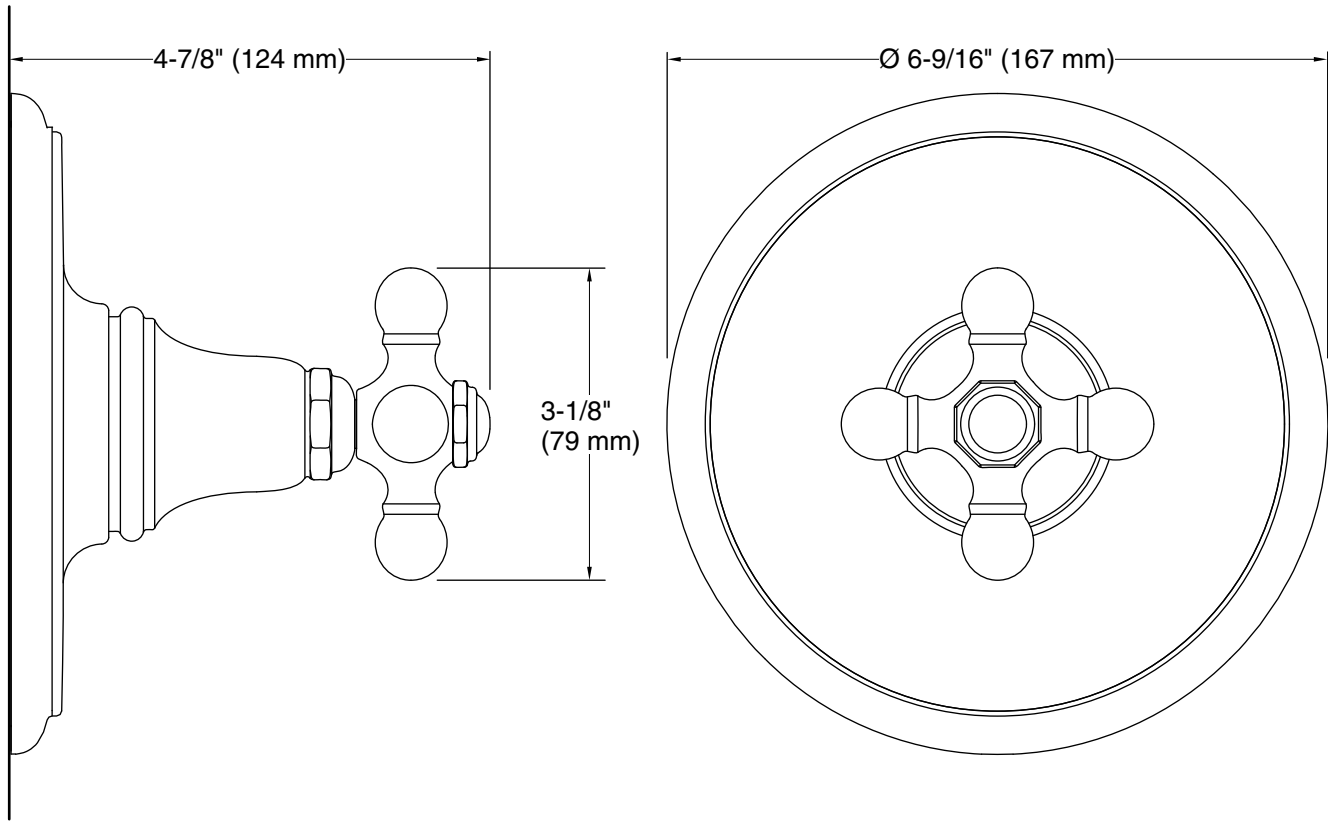
KOHLER® Faucet Lifetime Limited Warranty

See website for detailed warranty information.

Available Colors/Finishes

Color tiles intended for reference only.

Color	Code	Description
	CP	Polished Chrome
	SN	Vibrant™ Polished Nickel
	BN	Vibrant™ Brushed Nickel
	BV	Vibrant™ Brushed Bronze
	2BZ	Oil-Rubbed Bronze



Technical Information

All product dimensions are nominal.

Notes

Install this product according to the installation instructions.

ADA compliant when installed to the specific requirements of these regulations.