

# T&S BRASS AND BRONZE WORKS, INC.

2 Saddleback Cove / P.O. Box 1088  
Travelers Rest, SC 29690

Model No.

**B-0865-04**

Item No.

Travelers Rest, SC: 800-476-4103 • Simi Valley, CA: 800-423-0150 • Fax: 864-834-3518 • www.tsbrass.com



**ADA Compliant**

This Space for Architect/Engineer Approval

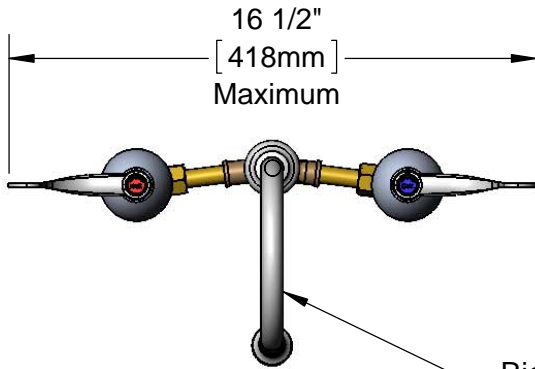
Job Name \_\_\_\_\_ Date \_\_\_\_\_

Model Specified \_\_\_\_\_ Quantity \_\_\_\_\_

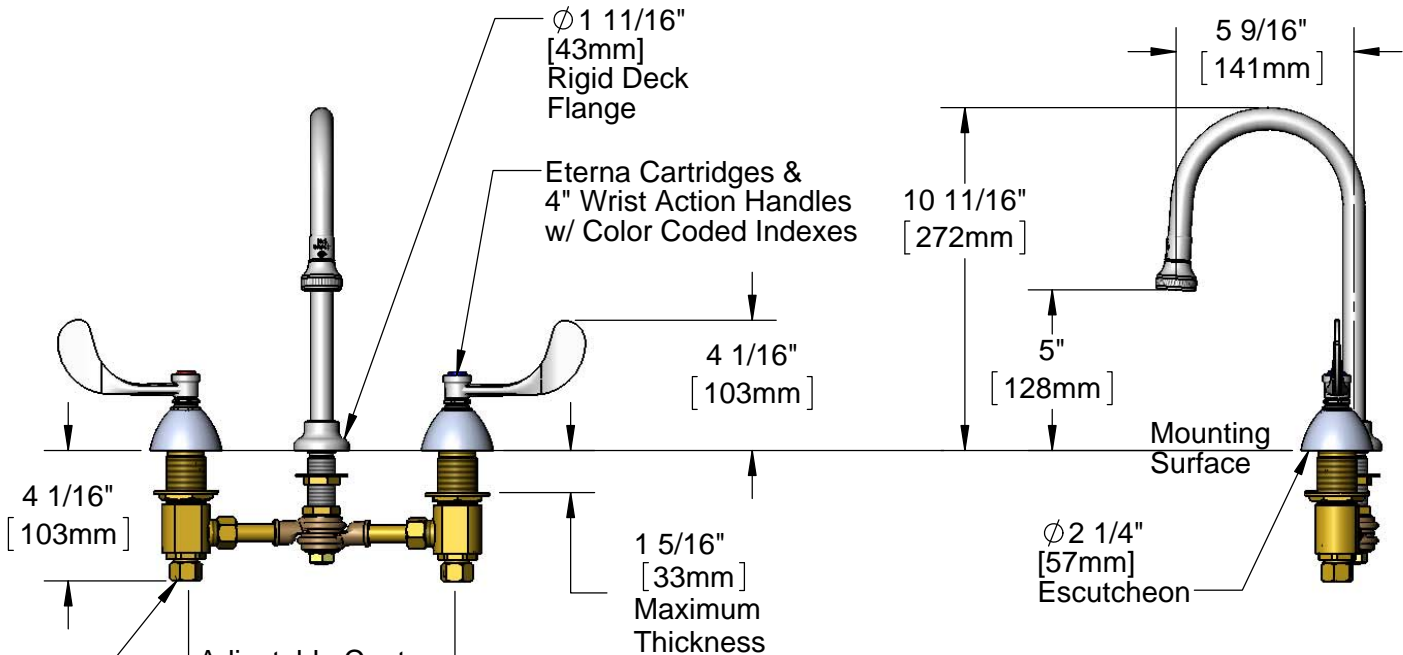
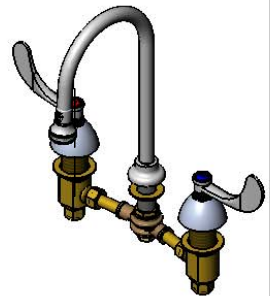
Customer/Wholesaler \_\_\_\_\_

Contractor \_\_\_\_\_

Architect/Engineer \_\_\_\_\_



Rigid Gooseneck w/  
B-0103-01  
Rosespray Outlet



Adjustable Centers  
(See Chart Below)

1/2" NPT Male Inlets  
w/ Coupling Nuts

**Rough-In Requirement:**  
Center Shank:  $\phi 1"$  [ $\phi 25\text{mm}$ ] Mounting Hole  
Hot/Cold Bodies:  $\phi 1\ 1/2"$  [ $\phi 38\text{mm}$ ] Mounting Holes

| Hot & Cold Center Sections<br>Can be at Angle | if "Y" is | Then Faucet Will<br>Fit "X" with Standard<br>1/4" NPT Cross Pipes<br>Furnished |
|---|-----------|--|
|   | 1/2"      | 8"   |
|   | 1"        | 7 3/4"   |
|   | 1 1/2"    | 7 3/8"   |
|   | 2"        | 7"   |

**Product Specifications:**  
8" Deck Mount Mixing Faucet, Eterna Cartridges, 4" Wrist Action Handles,  
Rigid Gooseneck w/ Rosespray Outlet & 1/2" NPT Male Inlets w/ Coupling Nuts

**Product Compliance:**  
ASME A112.18.1 / CSA B125.1  
NSF 61 - Section 9  
NSF 372 (Low Lead Content)  
ANSI A117.1 (ADA)



# T&S BRASS AND BRONZE WORKS, INC.

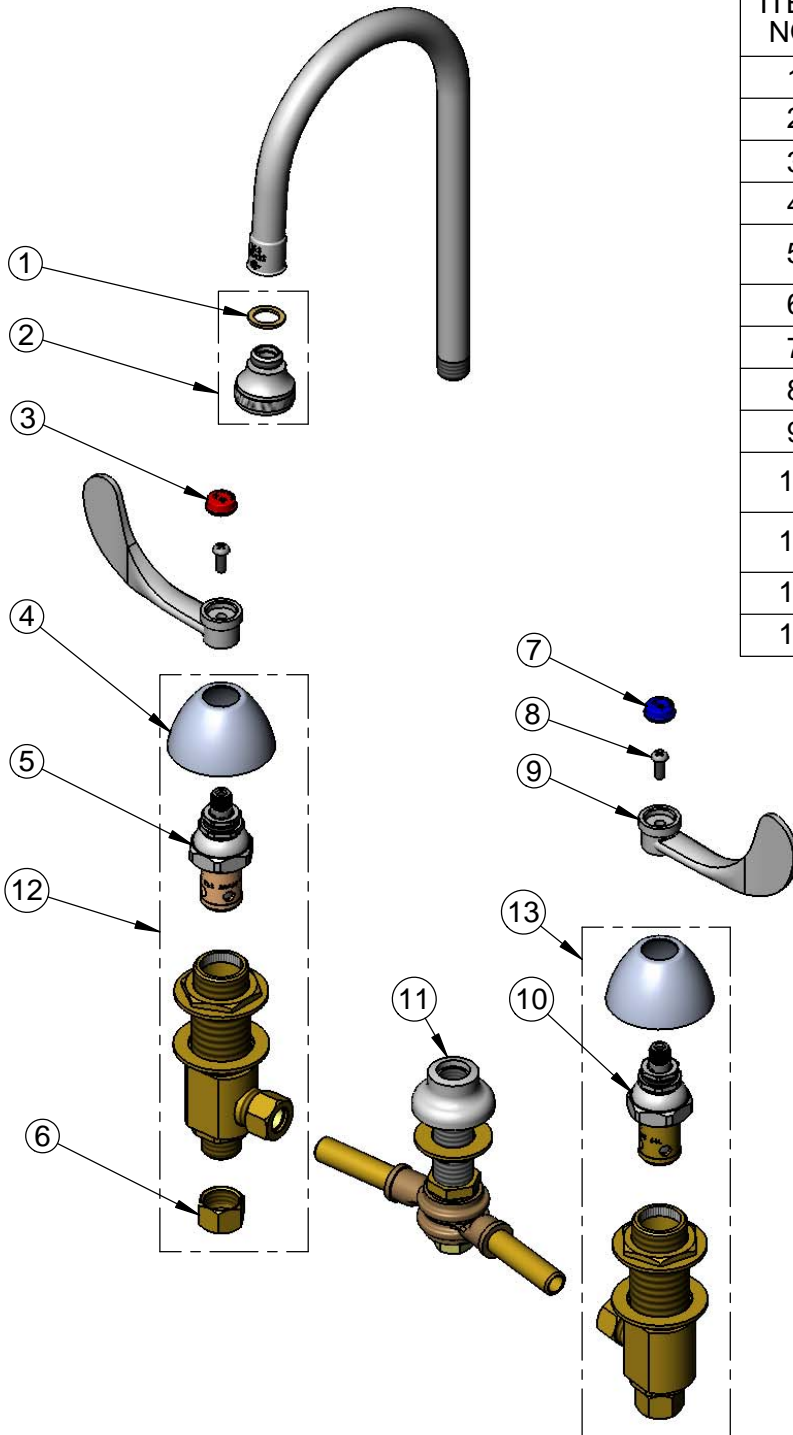
2 Saddleback Cove / P.O. Box 1088  
Travelers Rest, SC 29690

Model No.

**B-0865-04**

Item No.

Travelers Rest, SC: 800-476-4103 • Simi Valley, CA: 800-423-0150 • Fax: 864-834-3518 • www.tsbrass.com



| ITEM NO. | SALES NO. | DESCRIPTION   |
|----------|-----------|---|
| 1        | 001043-45 | Washer  |
| 2        | B-0103    | Rosespray Outlet                                    |
| 3        | 001194-45 | Red Index-HW  |
| 4        | 001257-40 | Bell Escutcheon                                     |
| 5        | 006478-40 | Eterna Cartridge, RTC (Teflon) w/ Escutcheon Bonnet |
| 6        | 000958-20 | Coupling Nut  |
| 7        | 001686-45 | Blue Index-CW                                       |
| 8        | 000925-45 | Lab Handle Screw                                    |
| 9        | B-WH4     | 4" Wrist Action Handle                              |
| 10       | 006477-40 | Eterna Cartridge, LTC (Teflon) w/ Escutcheon Bonnet |
| 11       | 005973-40 | 8" Swivel Yoke w/ Rigid Flange Outlet               |
| 12       | 162A      | B-0850 Side Body - Hot                              |
| 13       | 161A      | B-0850 Side Body - Cold                             |

**Product Specifications:**

8" Deck Mount Mixing Faucet, Eterna Cartridges, 4" Wrist Action Handles, Rigid Gooseneck w/ Rosespray Outlet & 1/2" NPT Male Inlets w/ Coupling Nuts

**Product Compliance:**

ASME A112.18.1 / CSA B125.1  
NSF 61 - Section 9  
NSF 372 (Low Lead Content)  
ANSI A117.1 (ADA)