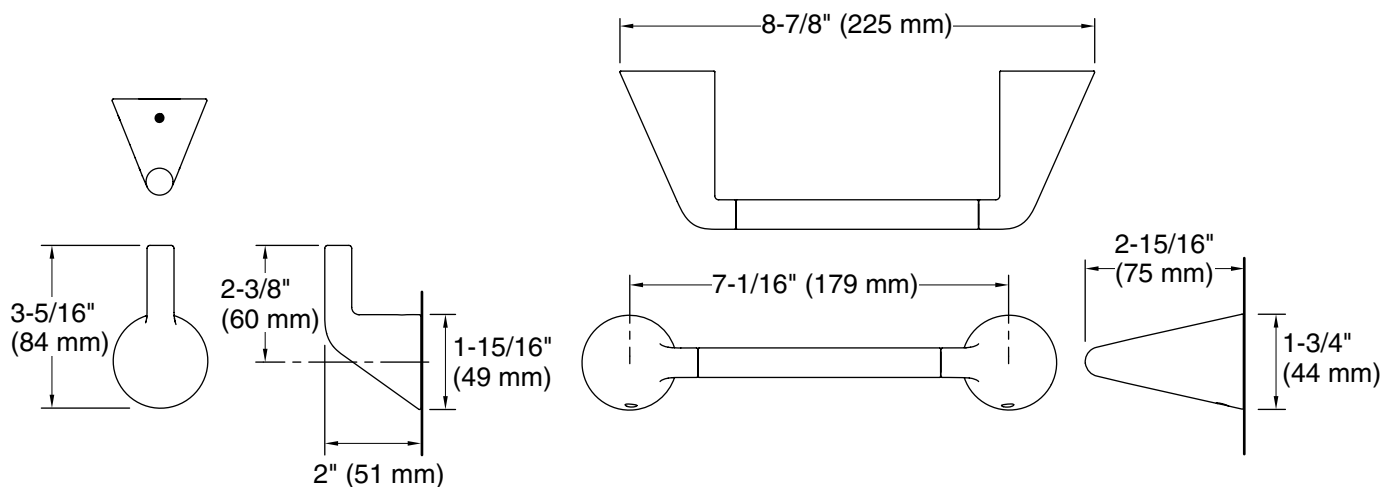


### FEATURES

- Solid brass construction for durability and reliability
- Magnetic arm on the toilet paper holder
- Includes hex wrench for installation
- Complements the Taper collection

P34806

P34808



**P34806**

**P34808**

SPECIFIED MODEL				
Model	Description	Finishes		
P34806-00	Taper Hook	<input type="checkbox"/> CP Polished Chrome	<input type="checkbox"/> AD Nickel Silver	<input type="checkbox"/> AG Brushed Nickel <input type="checkbox"/> GN Gunmetal
P34808-00	Taper Toilet Paper Holder	<input type="checkbox"/> CP Polished Chrome	<input type="checkbox"/> AD Nickel Silver	<input type="checkbox"/> AG Brushed Nickel <input type="checkbox"/> GN Gunmetal

We reserve the right to make revisions without notice in the design of products or in packaging unless this right has specifically been waived at the time the order is accepted.