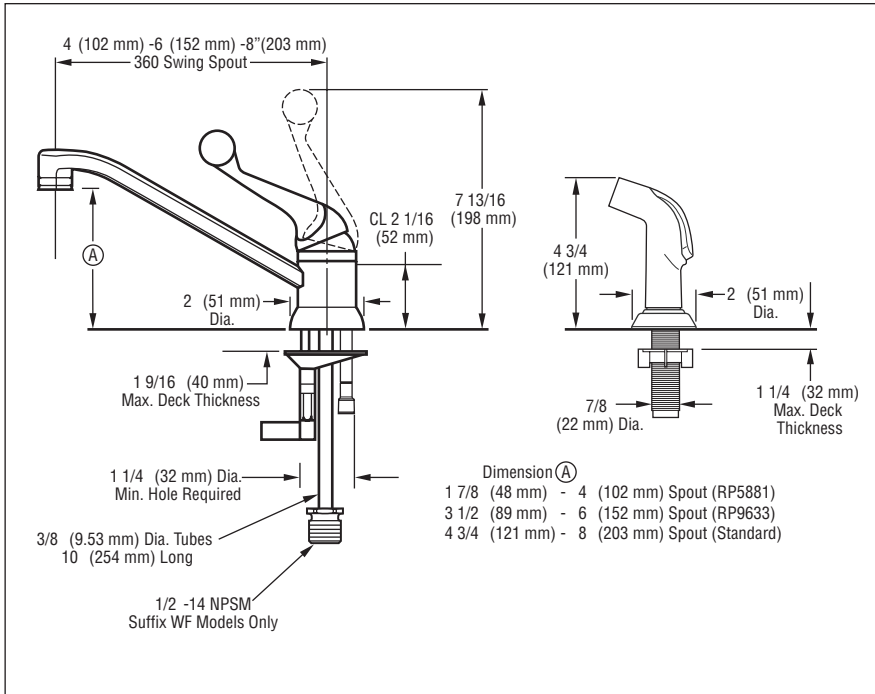


Submitted Model No.: \_\_\_\_\_

Specific Features: \_\_\_\_\_



## KITCHEN FAUCETS

- Classic Series
- Single Handle Deck Mount
- Single and 2 Hole Sink Applications

### STANDARD SPECIFICATIONS:

- Maximum flow rate 1.8 gpm @ 60 PSI, 6.8 L/min @ 414 kPa.
- Solid brass fabricated body.
- Standard 8" (203 mm) long spout swings 360°.
- Control handle shall return to neutral position when faucet is turned off.
- Lever handle. Control mechanism shall be of the rotating stainless steel ball type with replaceable non-metallic seats operating in stainless steel lined sockets.
- Model 175 series with spray attachment has anti-siphon device as integral part of valve body.
- 3/8" O.D. copper tube inlets - 10" (854 mm) long.
- Vegetable sprayer hose with chrome sprayhead on model 175 series - 45" (1143 mm) long threaded hose.
- Models supplied with 1/2"-14 NPSM adapters.

### WARRANTY

- Lifetime limited warranty on parts (other than electronic parts and batteries) and finishes; or, for commercial users, for 5 years from the date of purchase.
- 5 year limited warranty on electronic parts (other than batteries); or for commercial users, for 1 year from the date of purchase. No warranty is provided on batteries.

### COMPLIES WITH:

- ASME A112.18.1 / CSA B125.1
- Indicates compliance to ICC/ANSI A117.1
- Verified compliant with .25% weighted average Pb content regulations.

Delta reserves the right (1) to make changes in specifications and materials, and (2) to change or discontinue models, both without notice or obligation. Dimensions are for reference only. See current full-line price book or [www.deltafaucet.com](http://www.deltafaucet.com) for finish options and product availability.

DSP-K-101LF-WF Rev. C



55 E. 111th Street, Indianapolis, Indiana 46280  
350 South Edgeware Road, St. Thomas, Ontario Canada N5P 4L1  
© 2015 Masco Corporation of Indiana