



## Medicine Cabinet K-CB-CLR1620FS

### Features

- Recessed installation only.
- Two adjustable tempered-glass shelves offer additional bathroom storage.
- Full-overlay mirrored door with beveled edges.
- Mirrored interior.
- 108-degree opening capability for easy cabinet access.
- Can be installed with left- or right-hand swing.

### Material

- Anodized aluminum construction with a durable rust- and chip-resistant finish.
- Anodized aluminum.

### Recommended Products/Accessories

- K-10570 One-light sconce
- K-10571 Two-light sconce
- K-11365 One-light sconce
- K-11366 Two-light sconce
- K-23723 Faucet cleaner

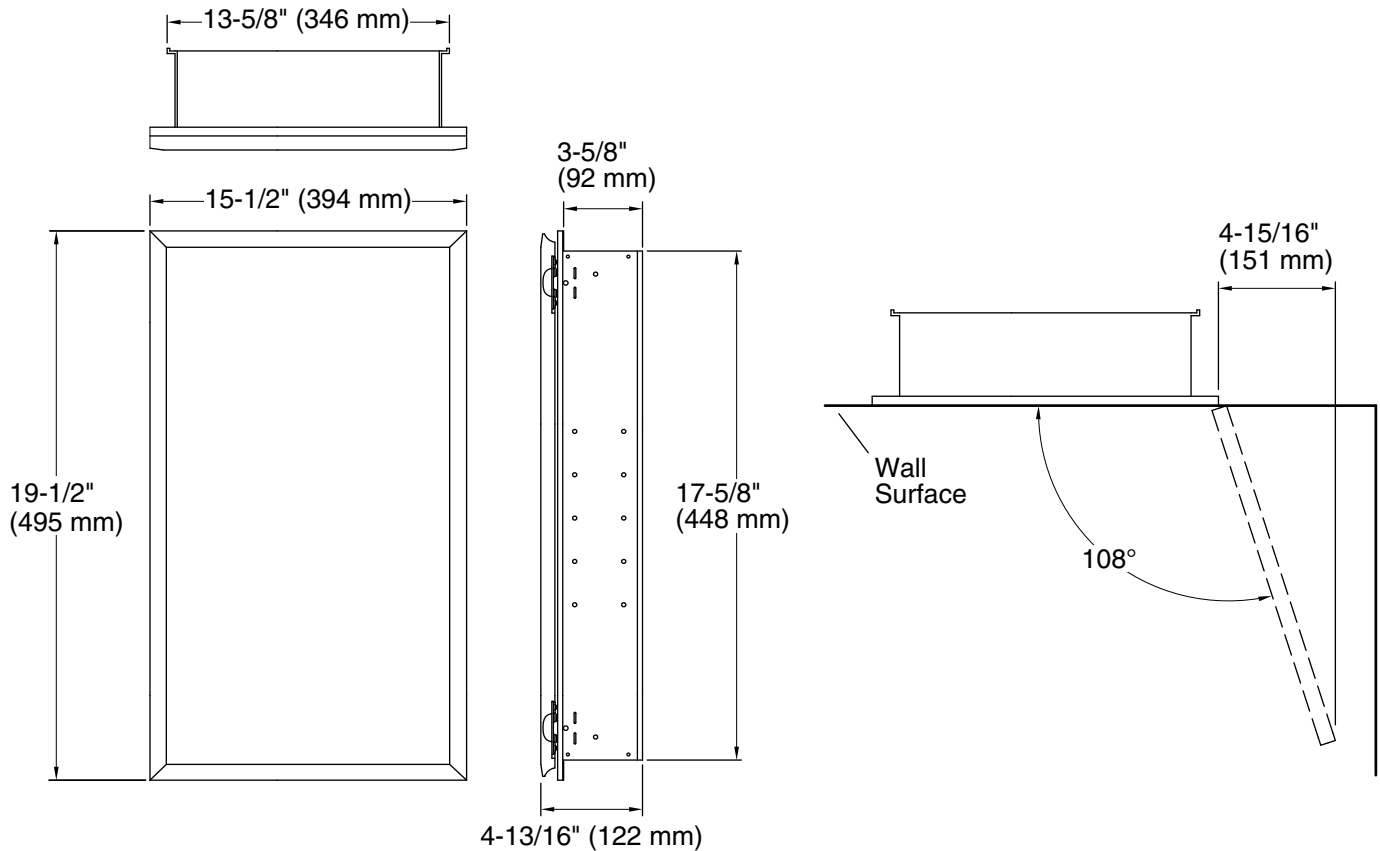


### Codes/Standards

None Applicable

### KOHLER® One-Year Limited Warranty

See website for detailed warranty information.



### Technical Information

All product dimensions are nominal.

#### Recess-Mount Cutout:

Width:	14" (356 mm)
Height:	18" (457 mm)
Depth:	3-5/8" (92 mm)

### Notes

Install this product according to the installation guide.

When determining the height of the medicine cabinet, ensure the mirrored door will clear all obstacles (such as a faucet). A minimum distance of 2" (51 mm) is required.

Secure the screws (provided) to a stud to avoid possible property and product damage. If this is not possible, anchors (not provided) must be inserted before installing the screws.

This cabinet is designed for either right or left door swing. Check for obstructions.

Cutout for recess-mount installation: 14" (356 mm) width x 18" (458 mm) height x 3-5/8" (92 mm) depth.