

ELKAY[®]

SPECIFICATIONS

Harmony[®] Undermount Single Bowl Sink Model ELU2118 and ELUH2118 Series

GENERAL

Highest quality sink formed of #18 (1.2mm) gauge, type 304 (18-8) nickel bearing stainless steel. Undermount.

DESIGN FEATURES

Bowl Depth: 7-1/2" (191mm) (ELU[H]2118), 10" (254mm) (ELU[H]211810).

Finish ELU2118(10): Exposed surfaces are hand blended to a Lustrous Satin finish.

Finish ELUH2118(10): Exposed surfaces are hand blended to a Lustrous Highlighted Satin finish.

Underside: Underside of sink is fully protected by heavy duty Sound Guard[®] undercoating to reduce condensation and dampen sound.

OTHER

Drain Opening: 3-1/2" (89mm).

NOTE: All Elkay undermount sinks are designed to affix to the underside of any solid surface countertop.

Sink complies with ASME A112.19.3/ CSA B45.4



Sinks are listed by IAPMO[®] as meeting the applicable requirements of the Uniform Plumbing Code[®], International Plumbing Code[®], and National Plumbing Code of Canada.

OPTIONAL ACCESSORIES

Bottom Grid: LKWOBG2118SS

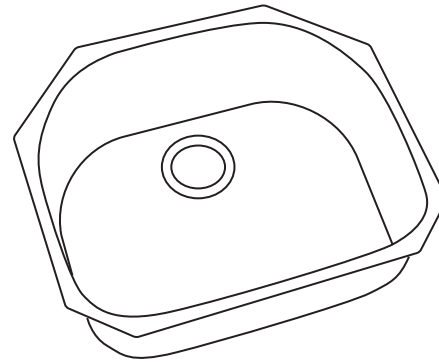
Cutting Board (ELUH models only): CB2213

Drain: LK99

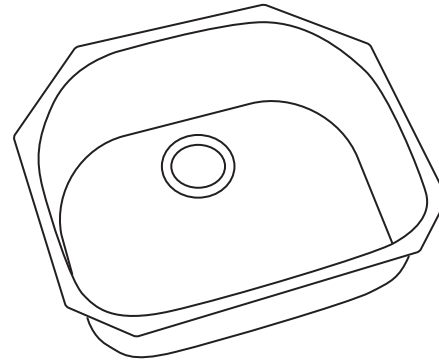
Rinsing Baskets: LKWRB2118SS, LKWERBSS

Utensil Caddy for Rinsing Basket: LKWUCSS

Mounting Clip: LKUCLIP8



Model ELU2118



Model ELUH2118

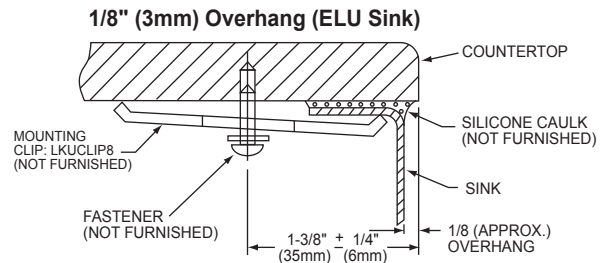
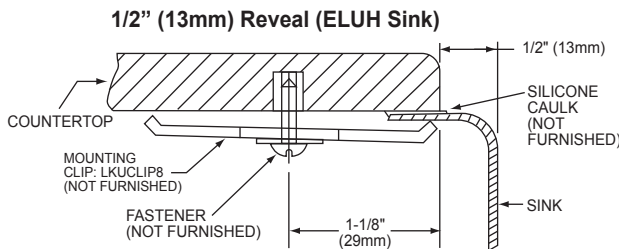
SINK PACKAGE(S)

MODEL	SINK	BOTTOM GRID	QTY	DRAIN	QTY
ELU211810DBG	ELU211810	LKWOBG2118SS	1	LK99	1
ELU2118DBG	ELU2118	LKWOBG2118SS	1	LK99	1
ELUH211810DBG	ELUH211810	LKWOBG2118SS	1	LK99	1
ELUH2118DBG	ELUH2118	LKWOBG2118SS	1	LK99	1



Installation Profile of ELU and ELUH Single Bowl Models

The template provided with each ELU/ELUH sink provides the only type of installation recommended by Elkay.



In keeping with our policy of continuing product improvement, Elkay reserves the right to change product specifications without notice. Please visit elkay.com for the most current version of Elkay product specification sheets.

This specification describes an Elkay product with design, quality, and functional benefits to the user. When making a comparison of others producers offerings, be certain these features are not overlooked.

**Harmony® Undermount Single Bowl Sink
Model ELU2118 and ELUH2118 Series**

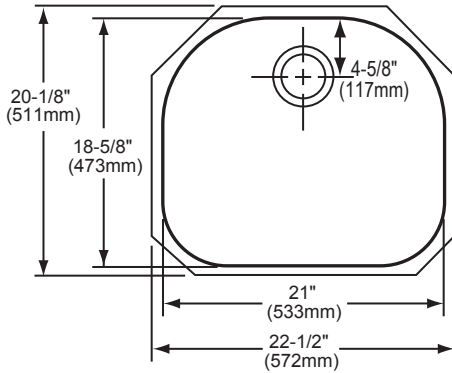
**ELKAY®
SPECIFICATIONS**

SINK DIMENSIONS*

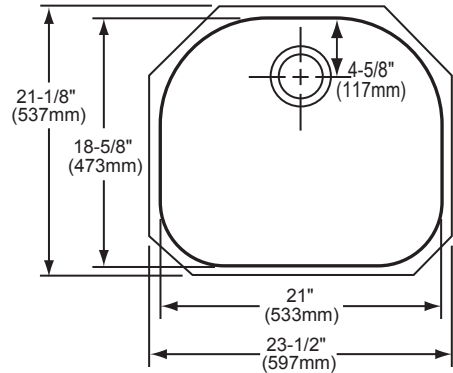
Model Number	Overall		Inside Bowl			Cutout in Countertop	Minimum Cabinet Size
	L	W	L	W	D		
ELU2118	22 ¹ / ₂ (572mm)	20 ¹ / ₈ (511mm)	21 (533mm)	18 ⁵ / ₈ (473mm)	7 ¹ / ₂ (191mm)	See Template**	27 (686mm)
ELU211810	22 ¹ / ₂ (572mm)	20 ¹ / ₈ (511mm)	21 (533mm)	18 ⁵ / ₈ (473mm)	10 (254mm)		27 (686mm)
ELUH2118	23 ¹ / ₂ (597mm)	21 ¹ / ₈ (537mm)	21 (533mm)	18 ⁵ / ₈ (473mm)	7 ¹ / ₂ (191mm)		27 (686mm)
ELUH211810	23 ¹ / ₂ (597mm)	21 ¹ / ₈ (537mm)	21 (533mm)	18 ⁵ / ₈ (473mm)	10 (254mm)		27 (686mm)

*Length is left to right. Width is front to back.

**Template #74180163 (ELU2118(10)) or 74180251 (ELUH2118(10)) is packed with every sink.



Model ELU2118/10



Model ELUH2118

In keeping with our policy of continuing product improvement, Elkay reserves the right to change product specifications without notice. Please visit elkay.com for the most current version of Elkay product specification sheets.

This specification describes an Elkay product with design, quality, and functional benefits to the user. When making a comparison of others producers offerings, be certain these features are not overlooked.