

Swanstone Chesapeake

Single Bowl Vanity Tops

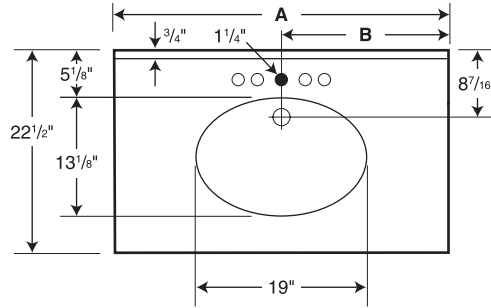


Manufactured from Swanstone Solid Surface

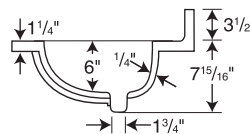
Recommended for high-use traffic areas and commercial surfaces.

FEATURES

- Reinforced solid surface means color and texture run all the way through and cannot wear away.
- Coordinates with other Swanstone products.
- Easily accommodates all faucet styles.
- Chemical resistant—acetone will not harm.
- Heat resistant—hot curling irons will not damage it.
- Make-up and hair-dye can be buffed with household cleansers.
- Heat, stain and scratch resistant for lasting beauty.
- Larger bowl, thicker edge and taller back splash is an updated version of our Ellipse vanity top.
- Warranty: Limited Lifetime – Residential
Limited 30-year – Commercial



○ Drill Points ● Pre-drilled



Capacity:
2 gallons to overflow

SPECIFICATIONS

Model	Part	Nominal Dimensions	Ship Wt. Lb.	Ship FedEx	Carton Dims. In.	Cu. Ft.
CH1B2225	CH02225	22 1/2" D x 25" W	22	FedEx	28 x 26 x 14	5.90
CH1B2231	CH02231	22 1/2" D x 31" W	27	FedEx	35 x 26 x 14	7.37
CH1B2237	CH02237	22 1/2" D x 37" W	28	FedEx	41 x 26 x 14	8.64
CH1B2243	CH02243	22 1/2" D x 43" W	40	FedEx	47 x 26 x 14	9.90
CH1B2249	CH02249	22 1/2" D x 49" W	46	FedEx**	53 x 26 x 14	11.16
CH1B2255	CH02255	22 1/2" D x 55" W	52	FedEx**	58 x 25 x 13	10.91
CH1B2261	CH02261	22 1/2" D x 61" W	59	FedEx**	64 x 27 x 14	14.00

Includes: One compression-molded vanity top with overflow, integral bowl and backsplash.

Packaging: Each unit is packed in a rectangular carton.

Note: For up-to-date ADA regulations, visit ADA.gov.

** If shipped via FedEx Ground, an oversize freight charge will apply.

COLORS

Solid Colors:

- White (010)
- Bisque (018)
- Bone (037)

Aggregate Colors:

- Bermuda Sand (040)
- Black Galaxy (015)
- Carrara (221)
- Concrete Ash Gray (203)
- Concrete Birch (226)
- Concrete Charcoal Gray (209)
- Concrete Clay (212)
- Concrete Limestone (218)
- Concrete Sandstone (215)
- Ice (130)
- Tahiti White (011)

ACCESSORIES

Optional CHVTSS Side Splash available (See page 98)

Optional Front and Side Apron available (See page 98)

MADE IN USA

STANDARDS AND RATINGS

American National Standard Institute—ANSI Z124.3

International Association of Plumbing and Mechanical Officials (IAPMO)—Listed

cUPC listed—Certified to CSA Test Standard B45.5 by IAPMO

Uniform Plumbing Code (UPC)

For a complete list of tests and results see the Technical Data Sheet.

MAINTENANCE AND CLEANING INFORMATION

Cleaning regularly with common household liquid cleaners is recommended. If necessary abrasive liquids or detergents are safe and effective for use with nylon scouring pads, sponges, Mr. Clean® Magic Eraser® or other similar products. Mineral-stain removers are acceptable as well. **Do not** use metal scouring pads.

SUPPORT DOCUMENTS

Installation instructions available at swanstone.com.