

ROUND BATHROOM SINK K-2610

ADA

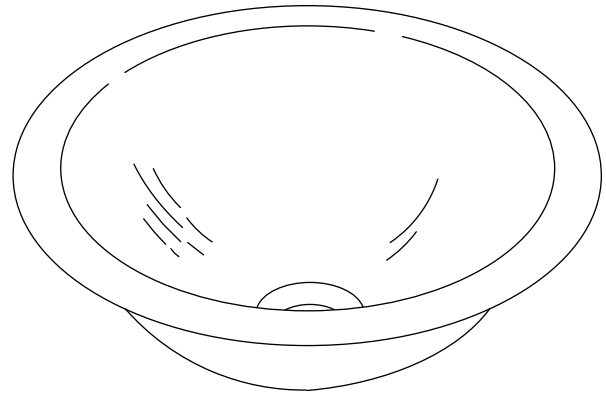
Features

- 20-gauge stainless steel
- Top-mount or under-mount
- Installation hardware included for each type of installation
- Without overflow
- Chrome plated brass tube and gasket included to cover the overflow hole in the drain assembly
- Mirror finish or Luster finish
- 13-5/8" (346 mm) diameter

Codes/Standards Applicable

Specified model meets or exceeds the following:

- ASME A112.19.3/CSA B45.4
- ADA
- ICC/ANSI A117.1



Colors/Finishes

- NA: None applicable

Accessories

- CP: Polished Chrome
- Other: Refer to Price Book for additional colors/finishes

Specified Model

Model	Description	Colors/Finishes	
K-2610-MU	Round bathroom sink – Mirror finish	<input type="checkbox"/> NA	
K-2610-SU	Round bathroom sink – Luster finish	<input type="checkbox"/> NA	
Recommended Accessories			
K-8998	P-Trap	<input type="checkbox"/> CP	<input type="checkbox"/> Other_____

Product Specification

The round bathroom sink shall be made of 20-gauge stainless steel. The bathroom sink shall be 13-5/8" (346 mm) in diameter. Bathroom sink shall be either drop-in or under-mount installation. Bathroom sink shall have a Mirror finish or Luster finish. Bathroom sink shall include hardware for each type of installation. Bathroom sink shall be without overflow. Bathroom sink shall have a chrome plated brass tube and drain gasket to cover overflow hole in the faucet drain assembly. Bathroom sink shall be Kohler model K-2610-_____-_____.

BOLERO®

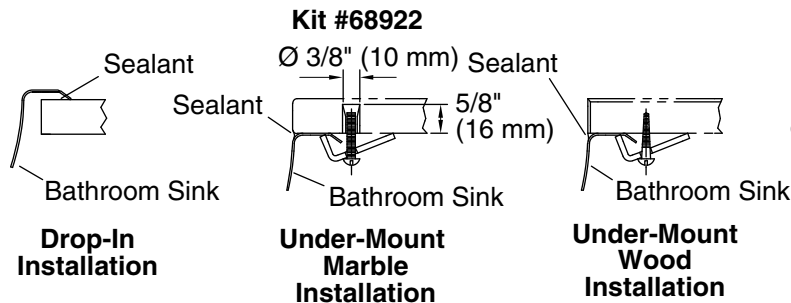
Technical Information

Fixture*:	Basin area	Water depth
Bathroom sink	Ø 11-1/2" (292 mm)	Ø 5-1/4" (133 mm)
Outlet	Ø 1-5/8" (41 mm)	
*Approximate measurements for comparison only.		

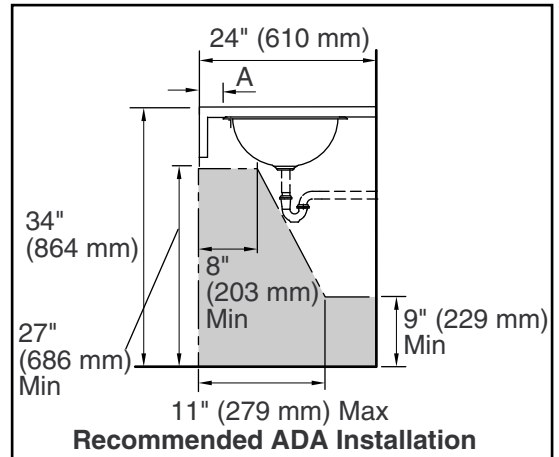
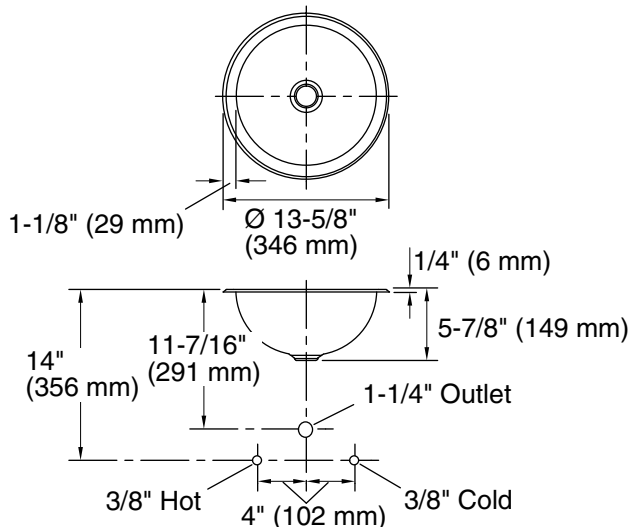
Included components:	
Basin clamp assembly (under-mount)	68922
Drain gasket	33507
Tube	1011037-CP
Cut-out template	111578-7

Installation Notes

Install this product according to the installation guide.
Will comply with **ADA** when installed per section 606 Lavatories of the Act.



Note: Waterproof unprotected overhang area of the underside of wood counter.



	A
Drop-In (shown)	6-1/2" (165 mm)
Under-Mount	7-1/4" (184 mm)

Product Diagram