



# Iron Plains® Round

Vessel bathroom sink  
K-20211-BL

## Features

- Small round basin.
- No faucet holes; requires wall- or counter-mount faucet.
- Overflow drain.

## Material

- KOHLER® enameled cast iron.
- Indigo Blue interior and painted underside.

## Installation

- Vessel, drop-in, or under-mount.

## Recommended Products/Accessories

- K-23726 Drain treatment
- K-23725 Cast iron cleaner



ADA CSA B651 OBC

## Codes/Standards


ASME A112.19.1/CSA B45.2  
ADA  
ICC/ANSI A117.1  
CSA B651  
OBC

## Lifetime Limited Warranty for KOHLER® Cast Iron Components

See website for detailed warranty information.

## Available Colors/Finishes

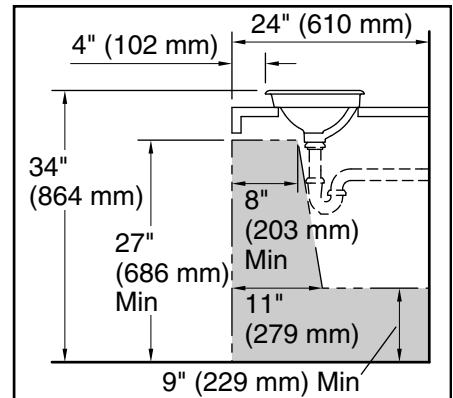
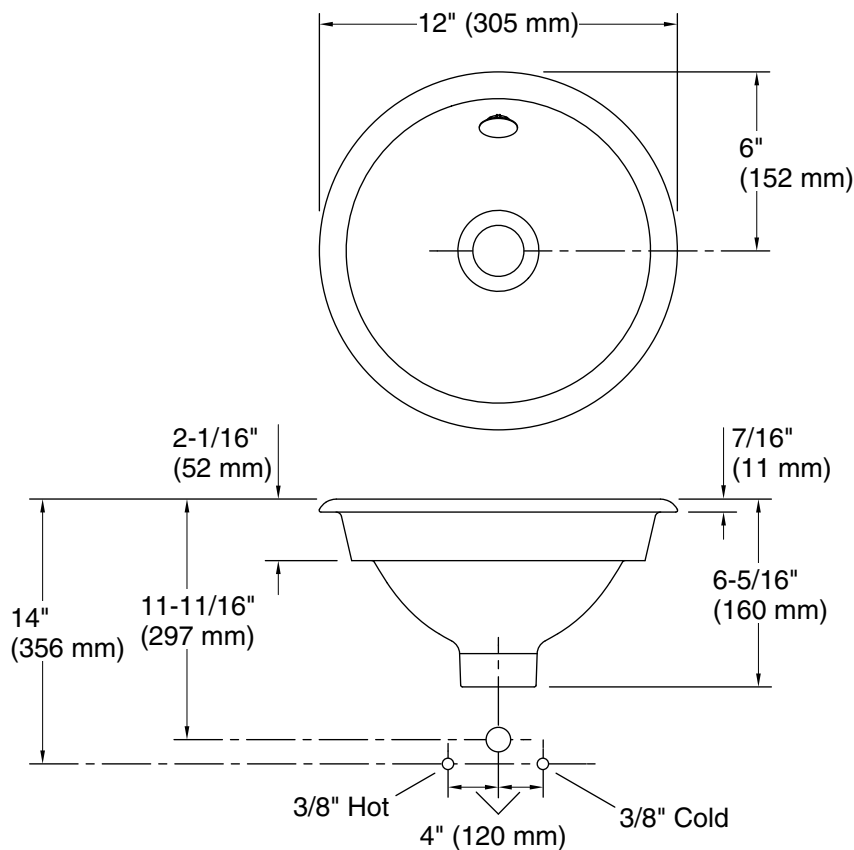
*Color tiles intended for reference only.*

Color	Code	Description
	DGB	Indigo Blue

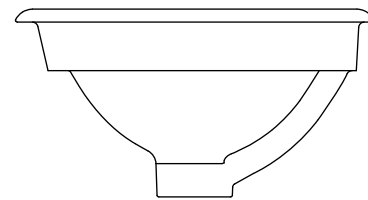


# Iron Plains® Round

Vessel bathroom sink  
**K-2021-BL**



Recommended ADA Installation



## Technical Information

All product dimensions are nominal.

Installation: Drop-in, Under-mount, Vessel  
Drain hole: 1-3/4" (44 mm)  
Template: 1319047-7, required, included

## Notes

Install this product according to the installation instructions.

NOTICE: Countertop manufacturer or cutter must use the cut-out template provided with the product, or a current one provided by Kohler Co. (call 1-800-4-KOHLER). Kohler Co. is not responsible for cutout errors when the incorrect cut-out template is used.

ADA, OBC, CSA B651 compliant when installed to the specific requirements of these regulations.