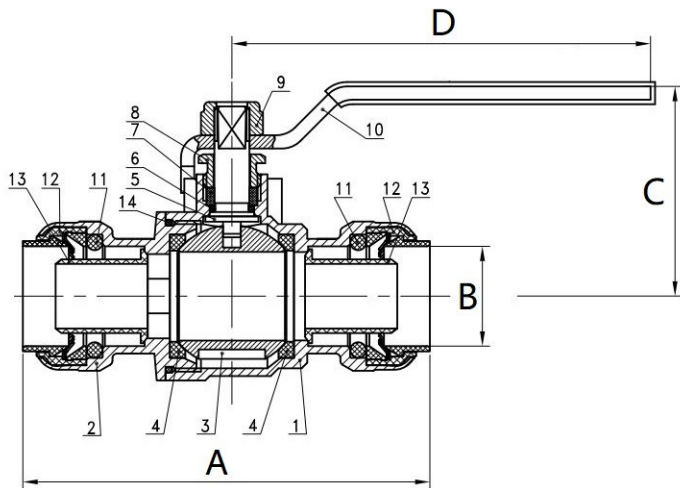


## Features:

- \*Lead Free
- Full Port
- Certified to NSF/ANSI 61
- cUPC Approved
- Size: 1/2" - 1"
- Maximum Pressure: 200 PSI (Water)
- Maximum Temperature: 200 °F
- Blow-out Proof Stem
- Rust Resistant Handle With Vinyl Grip
- Instant push-fit connections for increased ease of use:  
No soldering, clamps, unions, or glue required.



## Dimensions & Materials List:



No.	Part	QTY	Material
1	Body	1	Lead Free Brass
2	Bonnet	1	Lead Free Brass
3	Ball	1	Brass
4	Seat	2	PTFE
5	Stem	1	Lead Free Brass
6	O-Ring	1	EPDM
7	Stem Packing	1	PTFE
8	Gland	1	Brass
9	Handle	1	Chrome Plated Steel
10	Lock Nut	1	Stainless Steel
11	Quick Connection Component	2	POM
12	Quick Connection Bushing	2	Polysulfone
13	O-Ring	2	EPDM
14	O-Ring	1	NBR

All dimensions in inches

Part#	Description	Dimensions			
		A	B	C	D
4PRO12LFPUSHBV	1/2" LF Push Fit Ball Valve	2.988	0.638	1.563	3.110
4PRO34LFPUSHBV	3/4" LF Push Fit Ball Valve	3.594	0.890	1.862	3.720
4PRO1LFPUSHBV	1" LF Push Fit Ball Valve	4.142	1.138	2.335	4.016

\*Lead Free: weighted average lead content  $\leq 0.25\%$