

6' BATH WHIRLPOOL K-1124

ADA

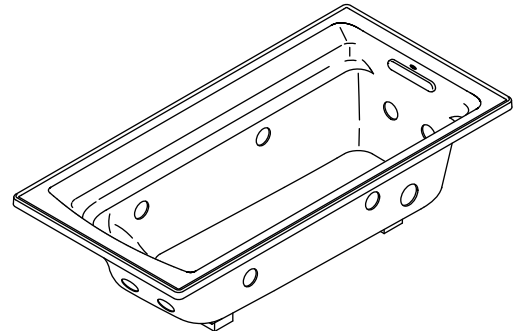
Features

- Acrylic
- 8 color-matched Kohler hydro-massage jets
- Pump with air switch and grounding-type plug-in cord
- Slotted overflow for maximum bathing depth
- Low threshold height
- Integral lumbar support
- Armrests
- 72" (1829 mm) x 36" (914 mm) x 19" (483 mm)

Codes/Standards Applicable

Specified model meets or exceeds the following:

- ADA
- CSA B45.5/IAPMO Z124
- ICC/ANSI A117.1
- ASME A112.19.7
- ASTM E162
- ASTM E662
- UL 1795



Colors/Finishes

- 0: White
- Other: Refer to Price Book for additional colors/finishes

Accessories

- 0: White
- CP: Polished Chrome
- Other: Refer to Price Book for additional colors/finishes

Specified Model

Model	Description	Colors/Finishes	
K-1124	Drop-in bath whirlpool	<input type="checkbox"/> 0	<input type="checkbox"/> Other_____
Required Accessories			
K-7271	Clearflo slotted overflow brass bath drain OR	<input type="checkbox"/> CP	<input type="checkbox"/> Other_____
K-7272	Clearflo slotted overflow bath drain – PVC pipe	<input type="checkbox"/> CP	<input type="checkbox"/> Other_____
Optional Accessories			
K-9529	Removable bath seat	<input type="checkbox"/> 0	

Product Specification

The acrylic bath whirlpool shall be 72" (1829 mm) in length, 36" (914 mm) in width, and 19" (483 mm) in height. Product shall have 8 color-matched jets and armrests. Product shall feature a pump with air switch and grounding-type plug-in cord. Product shall feature a slotted overflow for maximum bathing depth, low threshold height, and integral lumbar support. Bath whirlpool shall be Kohler Model K-1124-_____.

ARCHER™

Technical Information

Fixture*:			
Bathing well			
Basin area, bottom	51-3/8" (1305 mm) x 21" (533 mm)		
Basin area, top	64-1/2" (1638 mm) x 30-1/2" (775 mm)		
Weight	110 lbs (50 kg)		
To overflow			
Water depth	15" (381 mm)		
Capacity	72 gal (273 L)		
* Approximate measurements for comparison only.			
Drop-in cut-out	70-1/2" (1791 mm) x 34-1/2" (876 mm)		
Pump:	V	Hz	A
1-speed	120	60	7
Pump is supplied with 24" (610 mm) grounding-type plug-in cord.			

Required Electrical Service

Dedicated circuit required, protected with a Class A Ground-Fault Circuit-Interrupter (GFCI):	
Pump/control	120 V, 15 A, 60 Hz
Locate the outlet behind the whirlpool and within 24" (610 mm) of the pump.	

Installation Notes

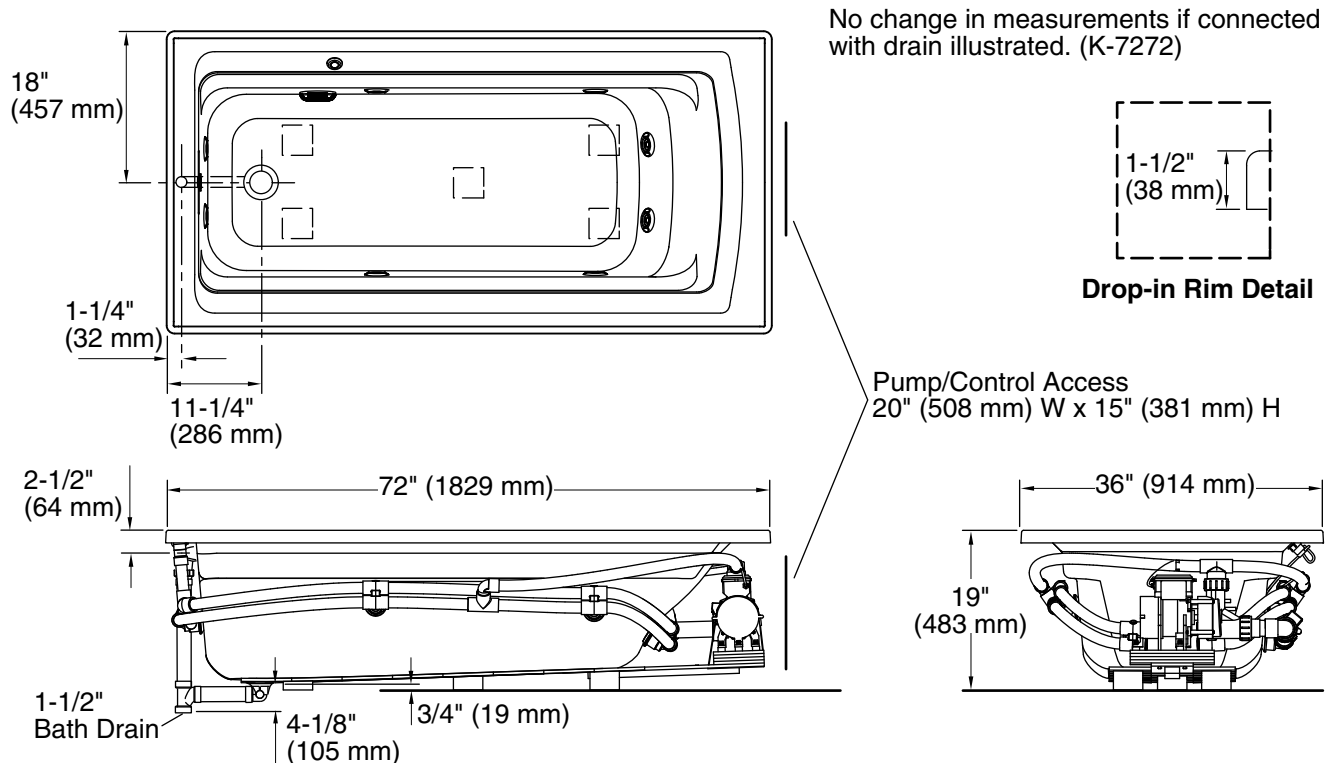
Install this product according to the installation guide.

Floor support under this product must provide for a minimum of 41 lbs/square foot (201 kg/square meter) loading.

This product is designed for drop-in installation only. It is not suited for use in a three-wall alcove with an overhead shower.

The hot water supply should be 70% of the capacity of the bath or greater. Installations will vary.

Will comply with **ADA** when installed per Section 607 Bathtubs of the Act.



Product Diagram