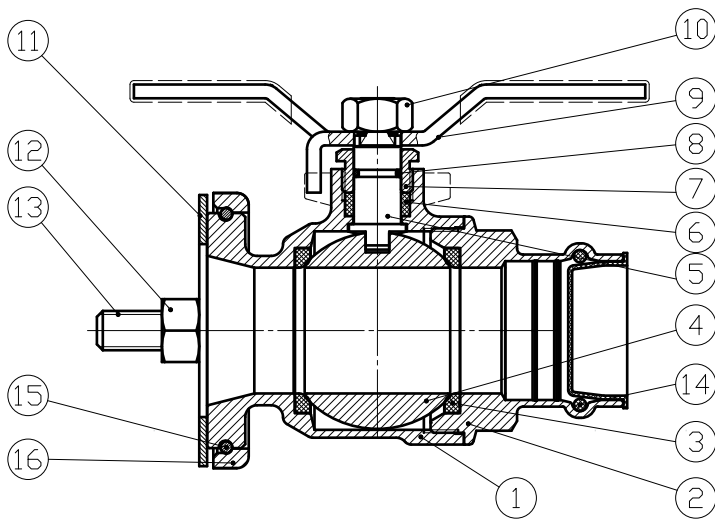


Features

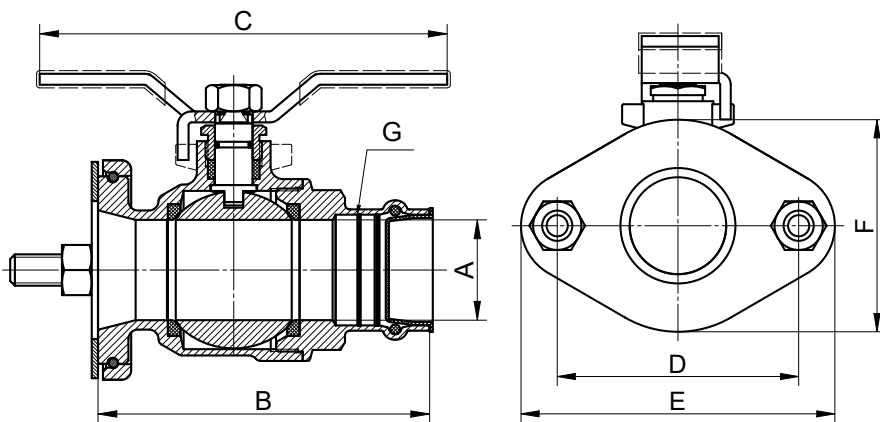
- Press x Flange
- Full Port Durable Brass
- Fits Most Circulator Pumps
- Includes Mounting Nuts and Bolts
- Max Operating Pressure Rating: 250 PSI WOG
- Max Temperature: 200°F (93°C) Max
- Size : 3/4" – 1-1/4"



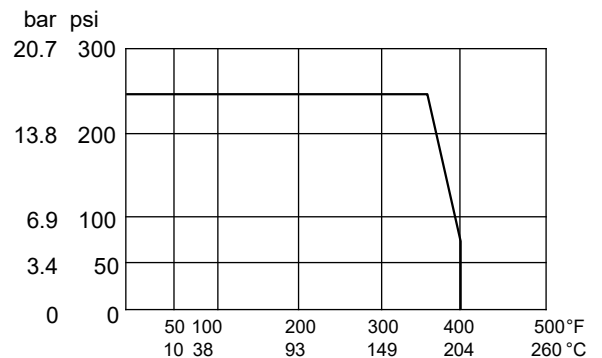
Materials



Item	Part Name	Material	PCS
1	Body	C37700 Brass	1
2	End Cap	C37700 Brass	1
3	Ball Seat	PTFE	2
4	Ball	SS304	1
5	Stem	Brass	1
6	Stem Packing	PTFE	1
7	Packing Nut	Brass	1
8	O-ring	FPM	1
9	Handle	Steel	1
10	Stem Nut	Steel	1
11	Flange Gasket	NBR	1
12	Bolt Nut	Steel	2
13	Bolt	Steel	2
14	O-ring	FPM	1
15	Shaft Ring	SS 304	1
16	Active Flange	C37700 Brass	1



Temperature - Pressure Rating



Dimension

Product#	Size	A		B		C		D		E		F		G
		In.	mm.	In.	mm.	In.	mm.	In.	mm.	In.	mm.	In.	mm.	
4PRO1PRESSFBVS	1	0.94	Ø24	3.56	90.4	4.09	104	3.15	80	4.09	104	2.76	70	Press
4PRO114PRESSFBVS	1-1/4	1.26	Ø32	4.17	105.8	5.12	130	3.15	80	4.09	104	2.76	70	Press