

FEATURES

- Solid brass construction for durability and reliability
- Wall-mount
- Pairs with a 2- or 3-way transfer valve configuration
- Allows bather to direct water flow
- Complements the One collection

CODES/STANDARDS APPLICABLE

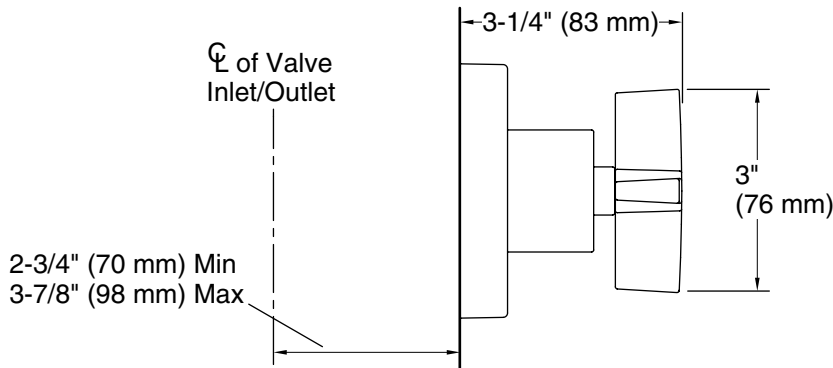
Specified model meets or exceeds the following:

- ASME A112.18.1/CSA B125.1
- ICC/ANSI A117.1
- ADA*
- OBC* (lever only)
- CSA B651* (lever only)

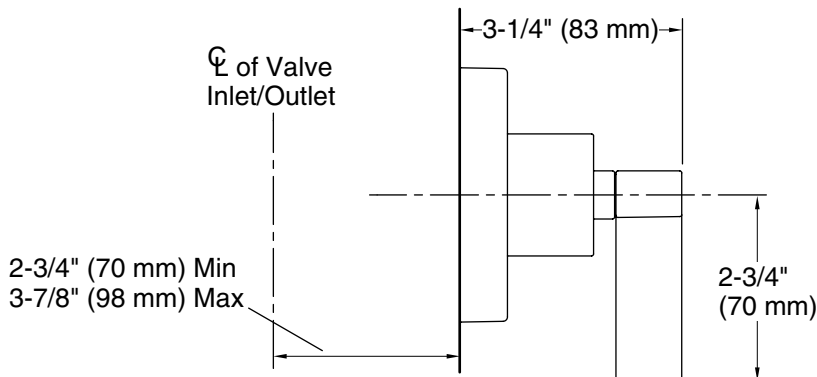


* Compliant when installed to the specific requirement of this regulation

P24483



P24483-CR



P24483-LV

SPECIFIED MODEL			
Model	Description	Finishes	
P24483-CR	One Transfer Trim, Cross Handle	<input type="checkbox"/> CP Polished Chrome	<input type="checkbox"/> AD Nickel Silver
		<input type="checkbox"/> GN Gunmetal	<input type="checkbox"/> ULB Unlacquered Brass
		<input type="checkbox"/> SN Polished Nickel	<input type="checkbox"/> AG Brushed Nickel
P24483-LV	One Transfer Trim, Lever Handle	<input type="checkbox"/> GN Gunmetal	<input type="checkbox"/> BL Matte Black
		<input type="checkbox"/> CP Polished Chrome	<input type="checkbox"/> AD Nickel Silver
		<input type="checkbox"/> ULB Unlacquered Brass	<input type="checkbox"/> AG Brushed Nickel
Required Rough-in			
P29513-00	3-Way Transfer Valve	<input type="checkbox"/> NA	
P29514-00	3-Way Transfer Valve, Eco	<input type="checkbox"/> NA	

We reserve the right to make revisions without notice in the design of products or in packaging unless this right has specifically been waived at the time the order is accepted.