

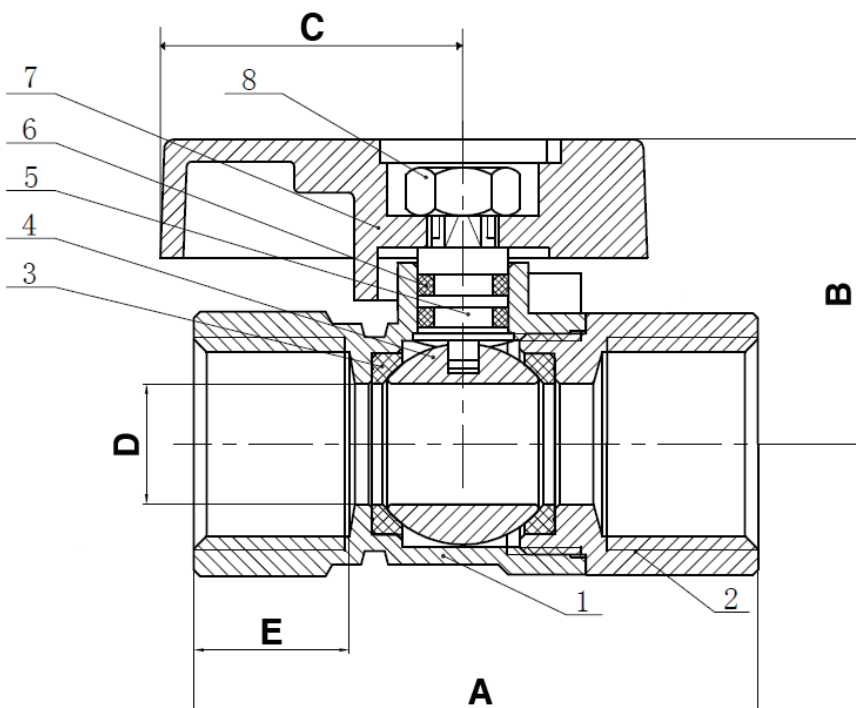
## Features

- Two-Piece Body
- Double O-ring Packing
- PTEF Seats
- 1/2" PSI For Indoor Appliance Connections per ANSI Z21.15 & CGA9.1
- 5 PSI For Indoor Shutoff Per CGA 91-002 & ASME B16.44
- 600 PSI WOG Rated



## Dimensions & Materials List

Product#	MFG#	Size		A		B		C		D		E	
		In.	mm.	In.	mm.	In.	mm.	In.	mm.	In.	mm.	In.	mm.
4PRO12GBV	1021-021-00	1/2"	1.27	2.21	56.11	1.19	30.30	1.19	30.10	0.47	1.20	0.61	15.49
4PRO34GBV	1021-043-00	3/4"	1.91	2.45	62.20	1.26	32.00	1.19	30.10	0.59	1.50	0.67	16.99



Item	Part	Material
1	Body	Brass
2	End Cap	Brass
3	Ball Seat	PTFE
4	Ball	Brass
5	Stem	Brass
6	O-ring	NBR
7	Lever Handle	Aluminum
8	Stem Nut	Steel