

## Features

- Domed glass shades extend from intersecting rods and flared metal bases in contemporary designs fit for any room.
- Coordinates with faucets in the Tone collection.
- Requires bulb with candelabra (E12) base; type G bulb recommended (sold separately).
- Suitable for damp locations, per UL 1598.
- Includes installation hardware.

## Material

- Premium metal and glass construction.
- Manufactured with quality materials and complemented with a meticulous finishing process.
- Durable finishes engineered to last and designed to coordinate with KOHLER faucet finishes.



## Codes/Standards

UL 1598  
CSA C22.2 No. 250.0

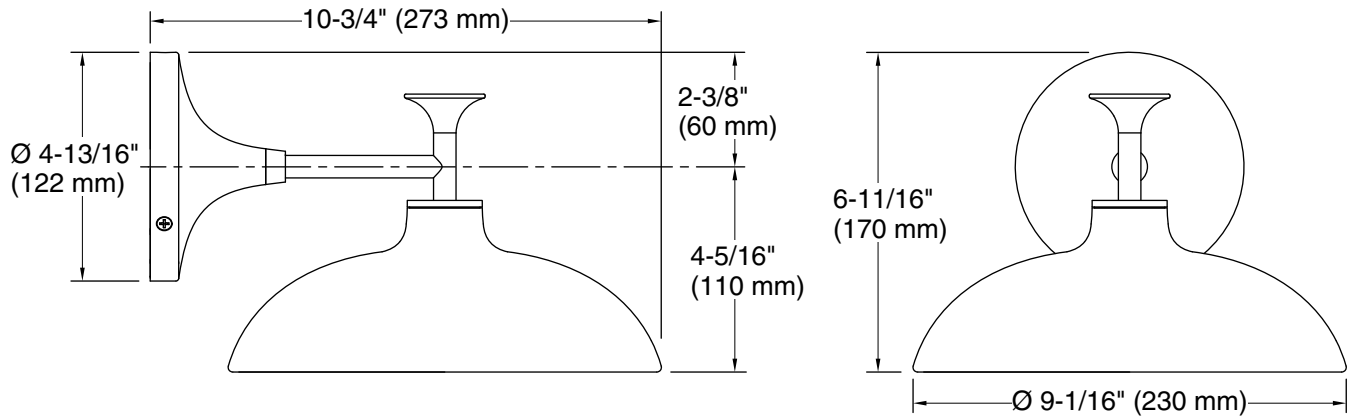
## KOHLER® Indoor Lighting Fixtures Limited Warranty

See website for detailed warranty information.

## Available Colors/Finishes

*Color tiles intended for reference only.*

Color	Code	Description
	BNL	Brushed Nickel
	CPL	Polished Chrome
	BLL	Matte Black
	CBL	Matte Black with Polished Chrome
	2GL	Brushed Moderne Brass
	BML	Black, Brass Trim



## Required Electrical Service

One circuit required.

120 V, 60 Hz

## Technical Information

All product dimensions are nominal.

Material: Steel, Aluminum, Glass

Number of Lights: 1

Lighting Type: Socket-based

Socket Type: E-12 Candelabra

Number of Shades: 1

Shade Type: Glass - clear