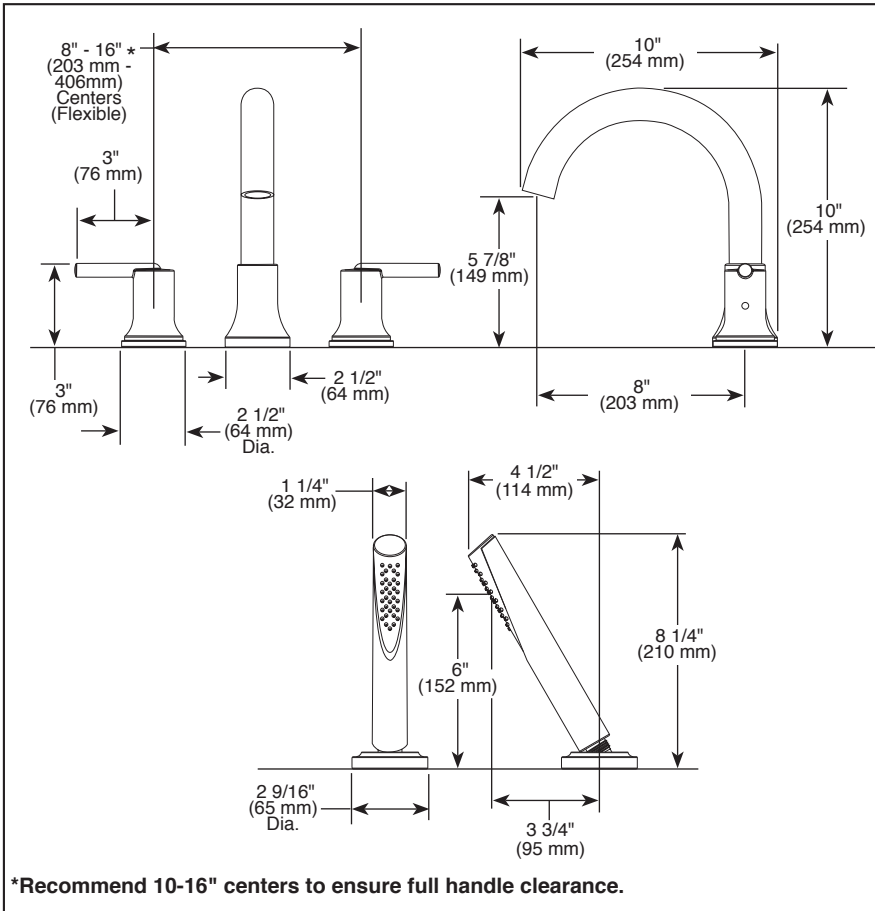


Submitted Model No.: _____

Specific Features: _____



*Recommend 10-16" centers to ensure full handle clearance.

▲ Designate Proper Finish Suffix



ROMAN TUB/WHIRLPOOL FAUCET TRIM

- Trinsic® Collection
- Three Hole Installation (T2759 Series)
- Four Hole Installation (T4759 Series)

STANDARD SPECIFICATIONS:

- Handshower flow rate of 2.0 GPM @ 80 PSI
- Trim only for two handle Roman Tub faucet for concealed mounting
- Temperature and volume controlled with handles
- Red/blue indicator markings
- Rough-In kit must also be ordered to complete installation
 - R4707 for four hole
 - R2700 or R2707 for three hole
 - RP23601 for three hole 10" fixed installation
 There are separate specification sheets on each rough-in kit if more details are required
- Handshower includes double check valves for backflow prevention (T4759)

WARRANTY

- Lifetime limited warranty on parts (other than electronic parts and batteries) and finishes: or, for commercial users, for 5 years from date of purchase.
- 5 year limited warranty on electronic parts (other than batteries); or, for commercial users, for 1 year from the date of purchase. No warranty is provided on batteries.

COMPLETE VALVE COMPLIES WITH:

- ASME A112.18.1 / CSA B125.1

Indicates compliance to ICC/ANSI A117.1



55 E. 111th Street, Indianapolis, Indiana 46280
350 South Edgeware Road, St. Thomas, ON N5P 4L1
© 2015 Masco Corporation of Indiana

Delta reserves the right (1) to make changes in specifications and materials, and (2) to change or discontinue models, both without notice or obligation. Dimensions are for reference only. See current full-line price book or www.deltafaucet.com for finish options and product availability.

DSP-B-T2759 Rev. B