

## For Residential and Commercial Applications

|                |  |                      |  |
|----------------|--|----------------------|--|
| Job Name       |  | Engineer / Architect |  |
| Job Location   |  | Wholesaler           |  |
| Submittal Date |  | Contractor           |  |

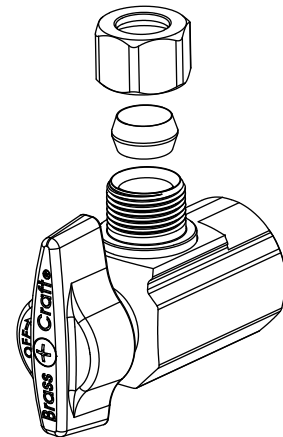
### KTR07X / KTR15X / KTR17X / KTR37X 1/4 Turn Angle Ball Stop – Female Iron Pipe x Compression

**Use:** For use only in potable water distribution systems, hot and cold, in accessible locations only

**Design Features:**

- **Machined brass ball** is specially engineered and mated with PTFE seats to provide smooth operation without freeze ups even after long periods of non-use
- **Two high-performance o-rings** withstand high temperatures and corrosion from harsh water environments
- **Machined, one-piece brass body** provides strength, durability, and long-lasting performance
- **Brass stem** is assembled from the inside out with two o-rings to ensure safe, reliable performance
- **Plated stem** provides corrosion resistance and prevents o-ring damage after long periods of non-use
- **Exclusive, chrome-plated metal handle** is designed for durability, corrosion resistance, and a sleek appearance
- **Easy-to-remove handle** with screw attachment protects accidental stop operation during rough-ins
- **100% leak tested**
- **✓ No Lead**
- **Operating Specifications:**

**Temperature:** 40°- 180° F  
**Pressure:** 125 PSI maximum



| <b>MATERIAL SPECIFICATIONS</b> |                              |
|--------------------------------|------------------------------|
| <b>Body</b>                    | <i>Brass, chrome plated</i>  |
| <b>Stem</b>                    | <i>Brass, plated</i>         |
| <b>Seat</b>                    | <i>PTFE</i>                  |
| <b>Ball</b>                    | <i>Brass, plated</i>         |
| <b>Stem o-ring</b>             | <i>Rubber</i>                |
| <b>Handle</b>                  | <i>Zinc, die cast plated</i> |
| <b>Handle Screw</b>            | <i>Steel, zinc plated</i>    |
| <b>Compression Sleeve</b>      | <i>Brass</i>                 |
| <b>Compression Nut</b>         | <i>Brass, chrome plated</i>  |

*This specification and all information contained herein is the confidential and exclusive property of BrassCraft Manufacturing Co., and shall not be disclosed to others without the written consent of BrassCraft Mfg. This specification must be returned to BrassCraft Mfg. if requested.*

400.03 KTR07/15/17/37 1/4 Turn Angle Ball Stop - FIP x Compr REV 04/16



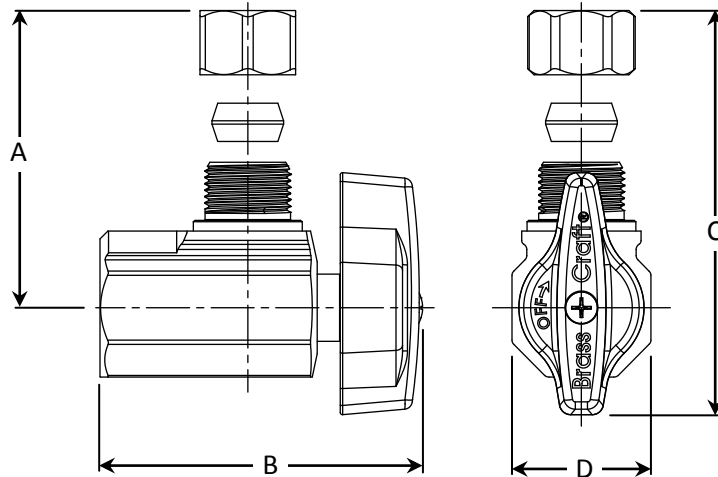
© 2016 BrassCraft Mfg. Co.

# KTR07X / KTR15X / KTR17X / KTR37X 1/4 Turn Angle Ball Stop – Female Iron Pipe x Compression

**Part Listing:**

- KTR07X C 1/2" FIP x 1/4" OD compression, chrome plated
- KTR07X CM 1/2" FIP x 1/4" OD compression, chrome plated, contractor 5 pack
- KTR15X C 3/8" FIP x 3/8" OD compression, chrome plated
- KTR15X C1 3/8" FIP x 3/8" OD compression, chrome plated, window tray
- KTR15L1X CB 3/8" FIP x 3/8" OD compression, less nut, chrome plated, bulk
- KTR17X C 1/2" FIP x 3/8" OD compression, chrome plated
- KTR17X C1 1/2" FIP x 3/8" OD compression, chrome plated, window tray
- KTR17X CM 1/2" FIP x 3/8" OD compression, chrome plated, contractor 5 pack
- KTR17L1X CB 1/2" FIP x 3/8" OD compression, less nut, chrome plated, bulk
- KTR37X C 1/2" FIP x 1/2" OD compression, chrome plated
- KTR37X CM 1/2" FIP x 1/2" OD compression, chrome plated, contractor 5 pack

| <b>PART DIMENSIONS (Inches)</b> |               |               |               |               |
|---------------------------------|---------------|---------------|---------------|---------------|
| <b>Model</b>                    | <b>DIM. A</b> | <b>DIM. B</b> | <b>DIM. C</b> | <b>DIM. D</b> |
| KTR07X                          | 1.14          | 2.13          | 1.92          | .91           |
| KTR15X                          | 1.20          | 2.13          | 1.92          | .91           |
| KTR17X                          | 1.20          | 2.13          | 1.92          | .91           |
| KTR37X                          | 1.32          | 2.13          | 2.02          | .91           |



**Listings & Certifications:**

- IAPMO listed to ASME A112.18.1 / CSA B125.1 (Including NSF 61 and NSF 372)(File 0645)
- CSA listed to ASME A112.18.1 / CSA B125.1 (Including NSF 61 and NSF 372)(File 204593)
- No-lead product CSA listed to NSF 372 (Class 6853-01)



*This specification and all information contained herein is the confidential and exclusive property of BrassCraft Manufacturing Co., and shall not be disclosed to others without the written consent of BrassCraft Mfg. This specification must be returned to BrassCraft Mfg. if requested.*

400.03 KTR07/15/17/37 1/4 Turn Angle Ball Stop - FIP x Compr REV 04/16

**BrassCraft®**

© 2016 BrassCraft Mfg. Co.