



H-x682W Series

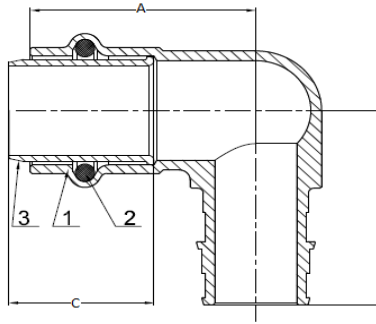
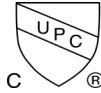
Forged DZR Brass Transition Elbow
w/ 3/4" Copper Finned Tube Stiffener
For use with Baseboard Radiators



NO.	DESCRIPTION	MATERIAL
1	Body	Lead-Free DZR Brass
2	O-Ring	EPDM
3	Stiffener	Lead-Free DZR Brass

Certifications

Certified to NSF/ANSI 61 & 372, NSF/ANSI 14, IGC 319, PS117, Applies to elbow H-1684xW
Lead-Free



Designed for residential, commercial or industrial use with water, oil, or glycol mix. PEX end dimensions comply with the referenced ASTM specification.

ITEM#	Connection Type	SIZE (in)	Max Temp	Pressure Rating	A	B	C
H-16823W	Press × F1807 PEX	3/4	250°F Max	250 PSI CWP Max	1.67	1.21	1.06
H-16823W-R	Press × F1807 PEX	3/4 × 1/2	250°F Max	250 PSI CWP Max	1.55	1.22	1.06
H-16823W-R58	Press × F1807 PEX	3/4 × 5/8	250°F Max	250 PSI CWP Max	1.65	1.20	1.06
H-16824W-RX	Press × F1807 PEX	3/4 × 1	250°F Max	250 PSI CWP Max	1.65	1.38	1.06
H-36823W	Press × F1960 PEX	3/4	250°F Max	250 PSI CWP Max	1.67	1.58	1.06
H-36823W-R	Press × F1960 PEX	3/4 × 1/2	250°F Max	250 PSI CWP Max	1.55	1.34	1.06
H-36823W-R58	Press × F1960 PEX	3/4 × 5/8	250°F Max	250 PSI CWP Max	1.65	1.50	1.06
H-36824W-RX	Press × F1960 PEX	3/4 × 1	250°F Max	250 PSI CWP Max	1.65	1.81	1.06