

**VALVE SYSTEM
K-302-K**

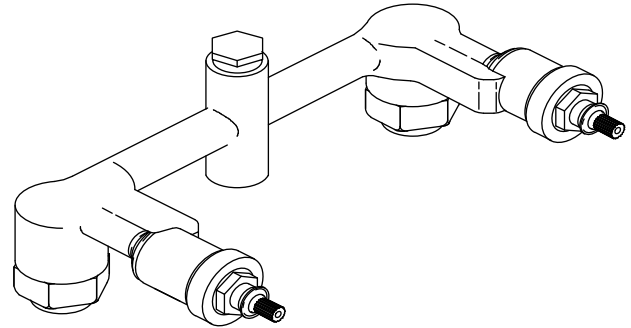
Features

- Wall-mount installation
- For 8" (203 mm) centers
- Brass valve bodies
- 1/2" quarter-turn washerless ceramic disc valves

Codes/Standards Applicable

Specified model meets or exceeds the following:

- ASME A112.18.1/CSA B125.1



Colors/Finishes

- NA: None applicable

Accessories

- CP: Polished Chrome
- Other: Refer to Price Book for additional colors/finishes

Specified Model

Model	Description	Colors/Finishes
K-302-K	Valve system	<input type="checkbox"/> NA

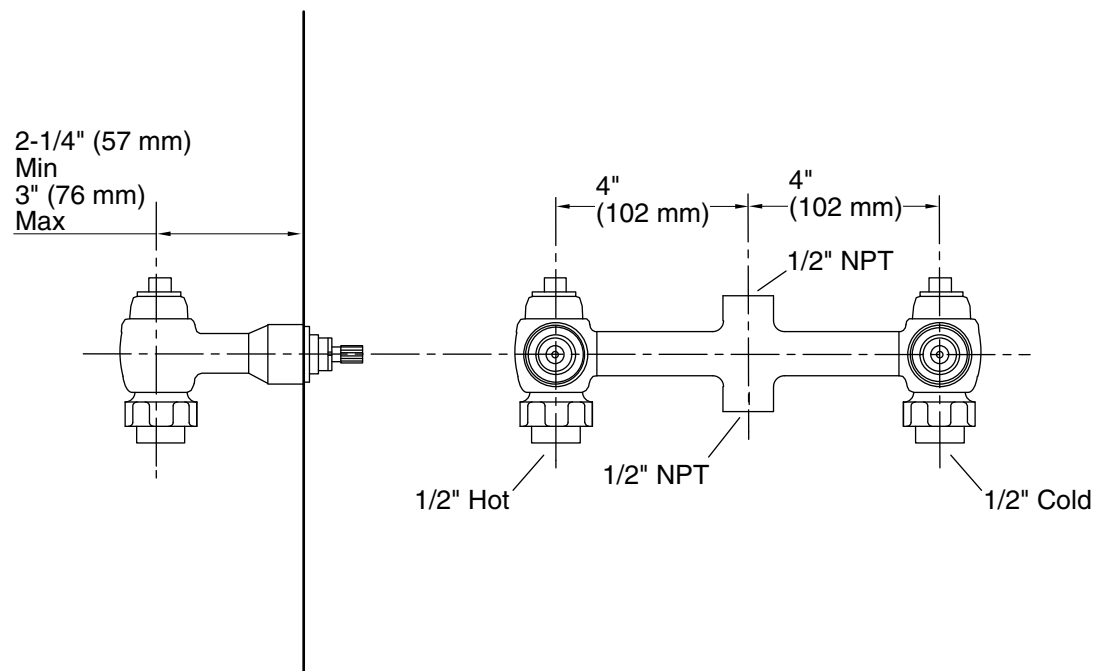
Optional Accessories			
56373	Deep roughing-in kit for wall-mount and shower faucets. For all handles except bath and shower faucets with stops	<input type="checkbox"/> CP	<input type="checkbox"/> Other_____
56374	Elongated escutcheons for bath and shower faucets with stops	<input type="checkbox"/> CP	<input type="checkbox"/> Other_____

Product Specification

Two-handle wall-mount 1/2" valve system shall feature 8" (203 mm) centers, and brass valve bodies. Faucet shall feature 1/2" quarter-turn washerless ceramic disc valves, assuring positive handle stop positioning. Valve system shall be Kohler Model K-302-K-NA.

Installation Notes

Install this product according to the installation guide.



Product Diagram