



Exposed Deck Mounted Tub Filler With Handshower and Lever Handles

ROHL Perrin & Rowe® Bath

U.3500L/1

FEATURES

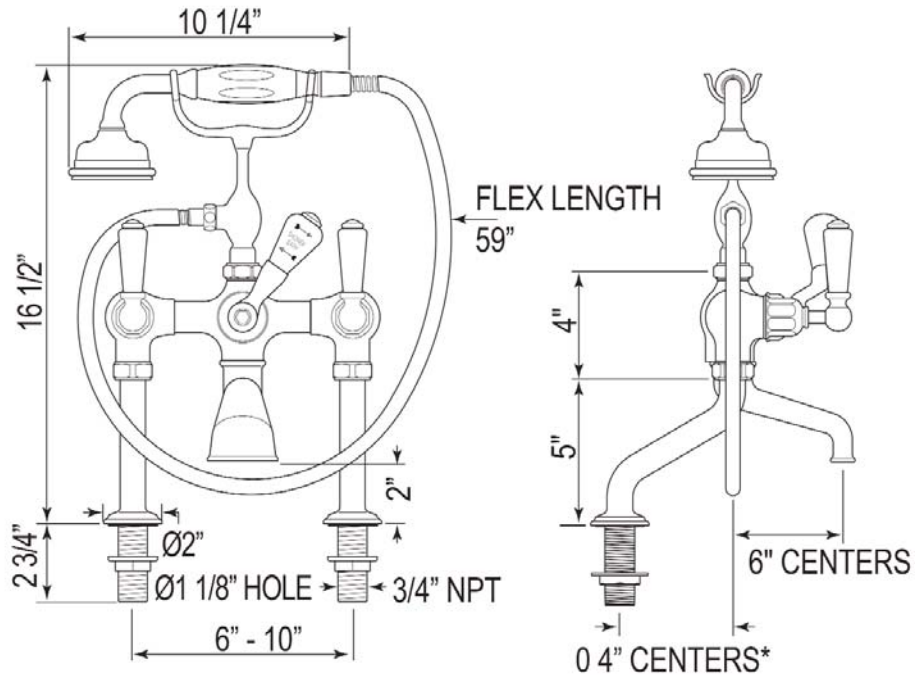
- 1/4-turn ceramic disc valves
- Unique handle fixing clip, engineered to increase the life of the valve
- Spout, valve housing, and handles made from solid brass
- 3/4" inlets
- 19 GPM at 40 PSI
- Includes both porcelain and metal lever inserts

FINISHES

- Polished Chrome
- Polished Nickel
- Satin Nickel
- Inca Brass
- English Bronze

WARRANTY

- Limited Lifetime



*THESE DIMENSIONS ARE RELATED

U.3500L/1 Spare Parts

Where * Indicated Specify Color.

