

*There is more than 1 version of this model.
Page down to identify the version you have.*

DESCRIPTION

- Metal construction with chrome plated finish
- 2 piece clamshell design for easy installation & maintenance
- Modern style
- Single mount
- Vandal resistant aerator
- Flexible stainless steel supply lines

OPERATION

- "Touch free" operation for improved hygiene
- Adjustable sensor activation distance from 3" to 12" (default 5-1/2")
- Vandal Mode: 30 second time-out feature
- Maintenance / Cleaning Mode: Allows for a 30 second deactivation for maintenance or cleaning
- Sentinel Flow: Eliminates stagnant water supply lines every 24 hours (factory setting = off)
- Metering Mode Feature: Adjustable run time from 10 to 180 seconds (factory setting = off)
- Battery 4(AA) or AC powered
 - For AC connection: Transformer 104630 required for up to 8 devices
- Battery level indicator with low battery warning light
- Battery life: Up to 8 years*
- Built-in mixing-manual on/off handle (8552/8552AC models)
- In-line filters included

FLOW

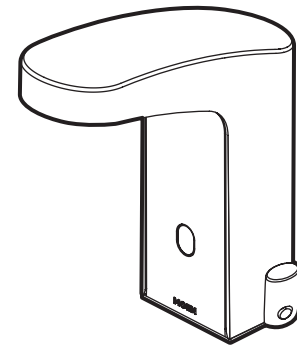
- 0.5 gpm (1.9 L/min) vandal-resistant multi-stream laminar flow

STANDARDS

- Third party certified to meet ASME A112.18.1/CSA B-125.1, and all applicable requirements referenced therein including NSF 61/9 & 372
- Complies with California Proposition 65 and with the Federal Safe Drinking Water Act
- ADA compliant
- Meets the current requirements of the Buy American Act (BAA)

WARRANTY

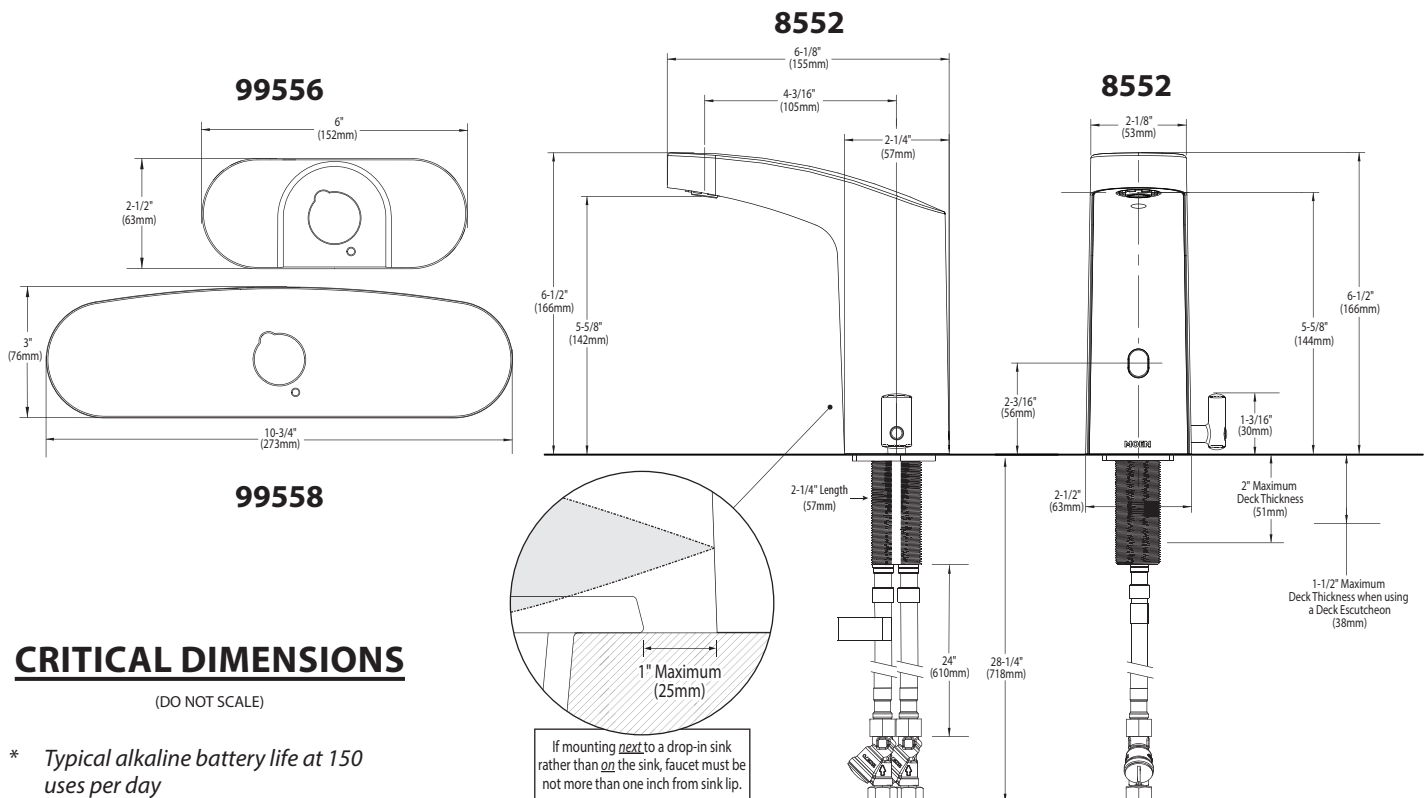
- Warranted for 5 years against material or manufacturer defects



M•Power™ Electronic Faucet Above-Deck Modern Style

Model: 8552, 8552AC (mixing)

NOTE: DESIGNED TO BE INSTALLED
THROUGH ONE HOLE 1-1/4" MIN. DIA.
(see the following page for model 8552AC)

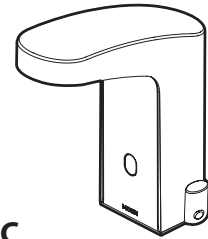


CRITICAL DIMENSIONS

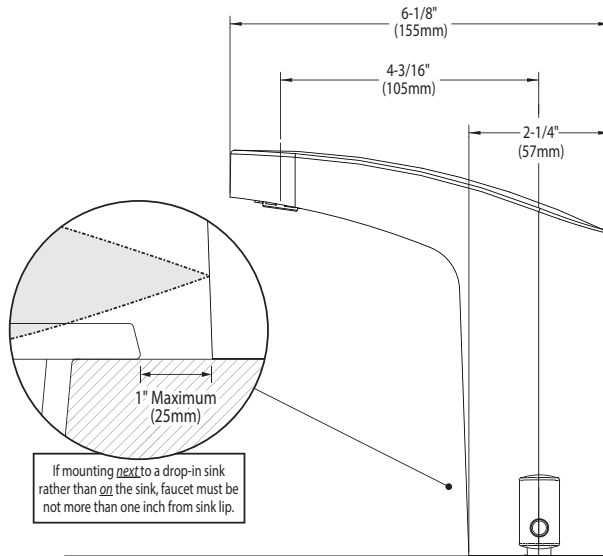
(DO NOT SCALE)

* Typical alkaline battery life at 150 uses per day

There is more than 1 version of this model.
Page down to identify the version you have.

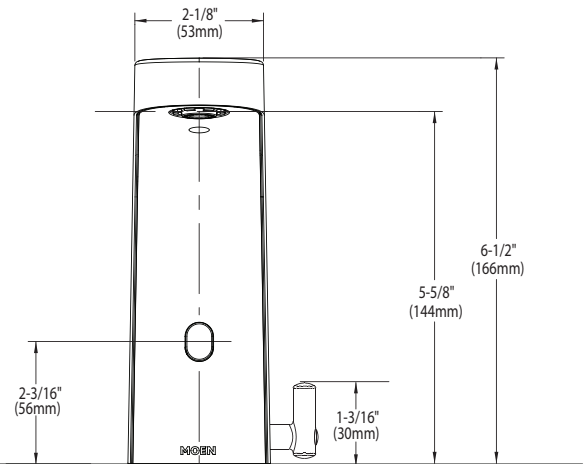


8552AC

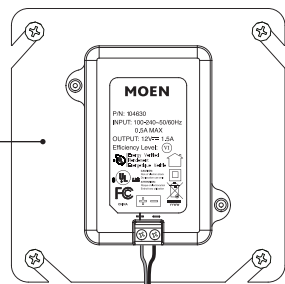


If mounting next to a drop-in sink rather than on the sink, faucet must be not more than one inch from sink lip.

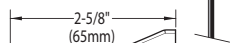
8552AC



AC Transformer
104630 (Sold separately)
(Powers up to 8 devices;
see 104630 specifications)

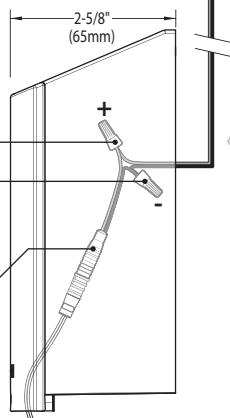


18AWG, Dual-Strand Cable
(Not supplied)

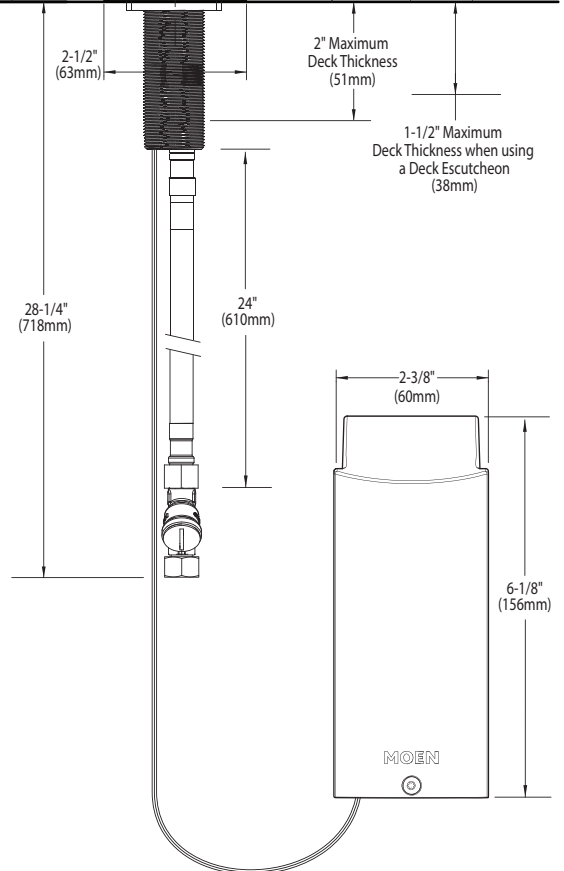
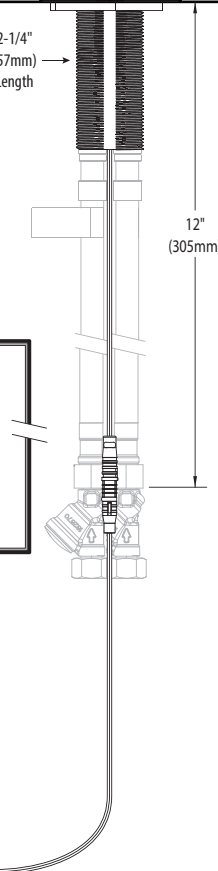


Wire Nuts
(Not supplied)
-/Black
+/-Gray

AC Connection Cable (4")
182538
(Included with every AC SKU)



Power Connection Extension (18")
174057 (Optional)
(Included with every AC SKU)



CRITICAL DIMENSIONS

(DO NOT SCALE)

Models prior to September, 2017

DESCRIPTION

- Metal construction with chrome plated finish
- 2 piece clamshell design for easy installation & maintenance
- Modern style
- Single mount
- Vandal resistant aerator
- Flexible stainless steel supply lines

OPERATION

- Adjustable sensor activation distance
- Vandal Mode: 30 second time-out feature
- Sentinel Flow: Eliminates stagnant water in supply lines every 24 hours (factory settings – off)
- Maintenance / Cleaning Mode: Allows for a 30 second deactivation for maintenance or cleaning
- Battery 4(AA) or AC powered
- Low battery indicator light
- Battery life: Up to 6 years or 350,000 cycles*
- Built-in mixing-manual on/off handle (8552/8552AC models)
- In-line filters included

FLOW

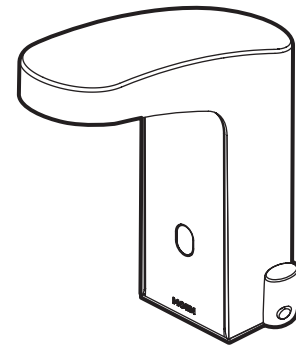
- 0.5 gpm (1.9 L/min) vandal-resistant multi-stream laminar flow

STANDARDS

- Third party certified to meet ASME A112.18.1/CSA B-125.1, and all applicable requirements referenced therein
- Complies with California Proposition 65 and with the Federal Safe Drinking Water Act
- ADA compliant

WARRANTY

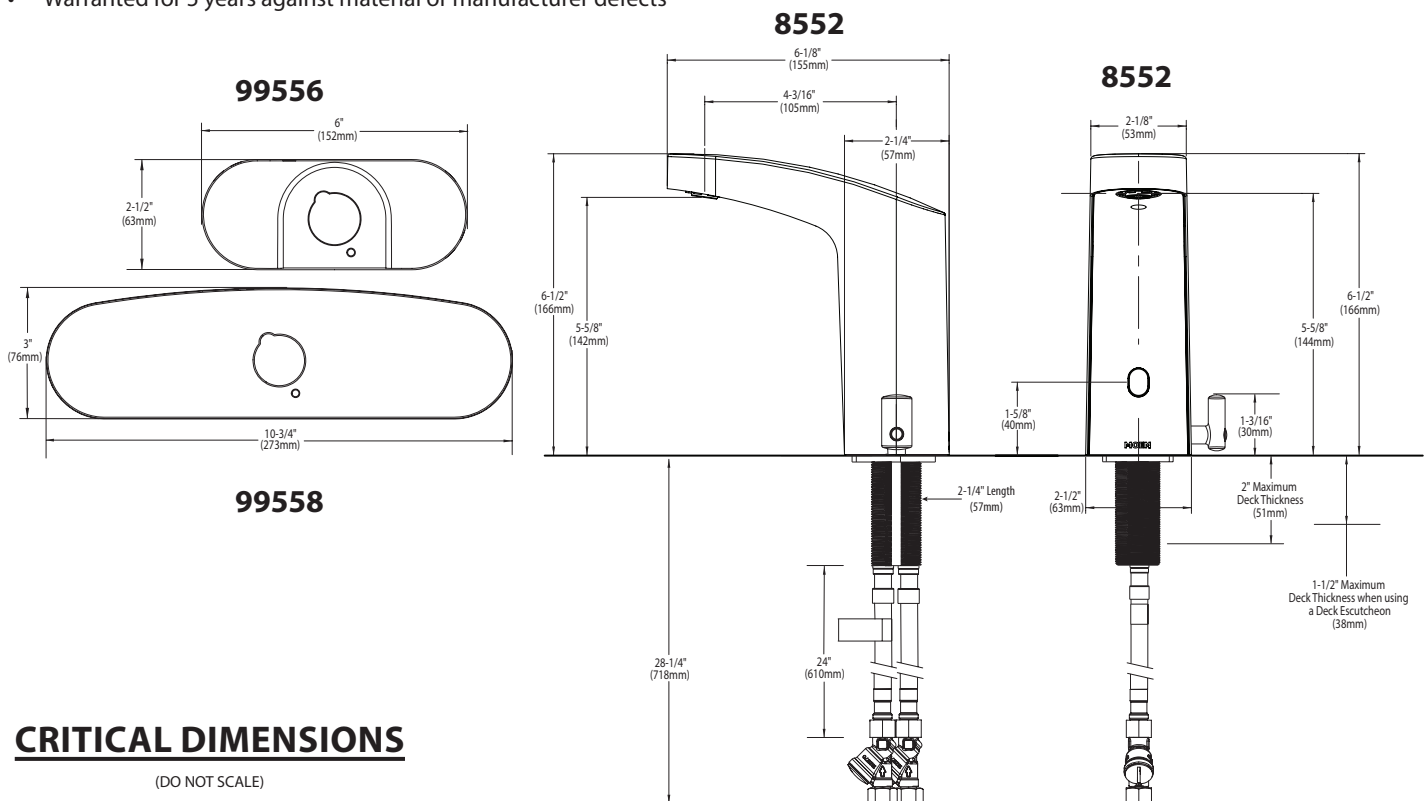
- Warranted for 5 years against material or manufacturer defects



M-Power™
Electronic Faucet Above-Deck
Modern Style

Model: 8552, 8552AC (mixing)

NOTE: DESIGNED TO BE INSTALLED THROUGH ONE HOLE 1-1/4" MIN. DIA.
(see the following page for model 8552AC)



CRITICAL DIMENSIONS

(DO NOT SCALE)

* Typical alkaline battery life at 150 uses per day

Models prior to September, 2017

