



Leap™ Lite | K-32847

One-piece elongated toilet, dual-flush

Features

- Elongated bowl offers added room and comfort
- Comfort Height® feature offers chair-height seating that makes sitting down and standing up easier for most adults
- Designed to support easier transfers from wheelchair
- Dual-flush offers a choice of 1.0 or 1.28 gpf (3.4 or 4.8 lpf)
- Fully skirted trapway simplifies cleaning
- Easy installation system provides a simple solution for skirted toilets
- Quiet-Close™ elongated lid and seat prevents slamming
- Motion-activated, hands-free opening/closing of cover
- Heated seat with adjustable temperature settings
- Emergency flush supports up to 100 flushes during power outage with simple touch-button activation
- Energy Save feature monitors usage and adjusts heated seat settings to save energy
- Automatic flushing after every use; flush can also be controlled by the backup button



Sustainability



Available Colors/Finishes

Color tiles intended for reference only.

- 0 White
- NY Dune
- HDN Honed Dune
- HB1 Honed Black



1-800-4KOHLER (1-800-456-4537)
Kohler Co. reserves the right to make revisions without notice to product specifications.
For the most current specification sheet, go to www.kohler.com USA or www.kohler.ca Canada.
3-31-2026 6:1 - US-CA

THE BOLD LOOK
OF **KOHLER**

Codes/Standards

ADA, OBC, CSA B651 compliant when installed to the specific requirements of these regulations.

Accessibility standards may require controls to be located on the open side of the toilet.

Plumbing codes may require elongated toilets and elongated, open-front seats in public bathrooms.



ASME A112.19.2/CSA B45.1
ASME A112.19.14
DOE - Energy Policy Act 1992
EPA WaterSense®
California Energy Commission (CEC)
ADA
ICC/ANSI A117.1
CSA B651
OBC

Warranty

See website for detailed warranty information.

KOHLER® Intelligent Toilet and C3® Cleansing Seat Three-Year Limited Warranty

Technical Information

Rough-in:	Standard 12" (305mm)
Flush Type:	Power
Flush Rate:	1.0 or 1.28 gpf (3.4 or 4.8 lpf)
Bowl Shape:	Elongated
Waste Outlet:	Floor
Trapway Size:	2" (51 mm)
Trapway Type:	Skirted
Rim to Water Surface:	5-3/4" (146 mm)

Required Electrical Service

One dedicated circuit required, protected with Class A Ground-Fault Circuit-Interrupter (GFCI). Outside North America, this device may be known as a Residual Current Device (RCD).

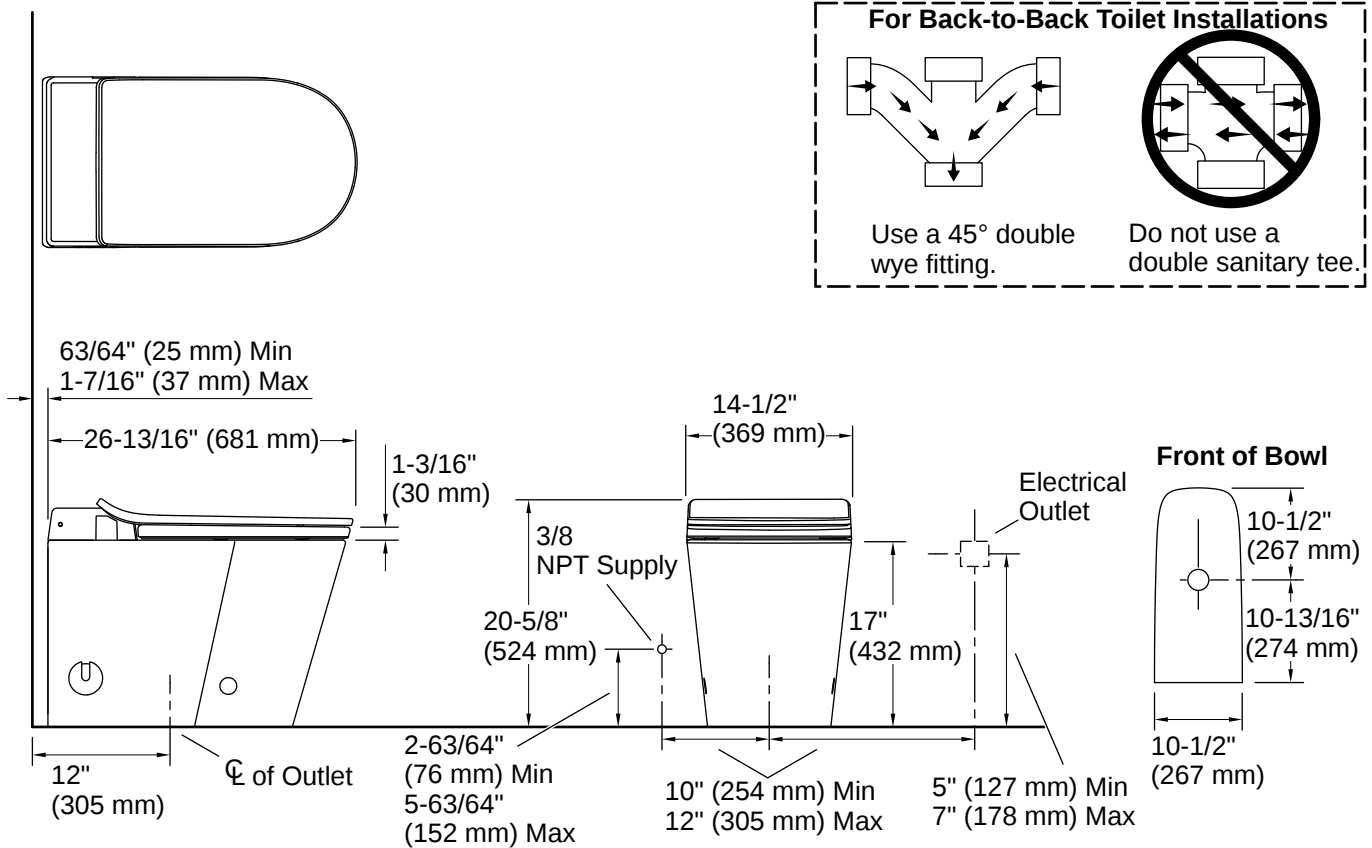
120 V, 15 A, 60 Hz

Electrical Component Ratings

Power Cord Length: 35" (889 mm)



1-800-4KOHLER (1-800-456-4537)
Kohler Co. reserves the right to make revisions without notice to product specifications.
For the most current specification sheet, go to www.kohler.com USA or www.kohler.ca Canada.
3-31-2026 6:1 - US-CA



Installation

- Standard 12" (305 mm) rough-in
- Requires connection to toilet water supply line
- Requires dedicated electrical GFCI circuit (120 V, 15 A, 60 Hz)

Installation Notes

Install this product according to the installation instructions.

ADA, OBC, CSA B651 compliant when installed to the specific requirements of these regulations.

Plumbing codes may require elongated toilets and elongated, open-front seats in public bathrooms.

Accessibility standards may require controls to be located on the open side of the toilet.

