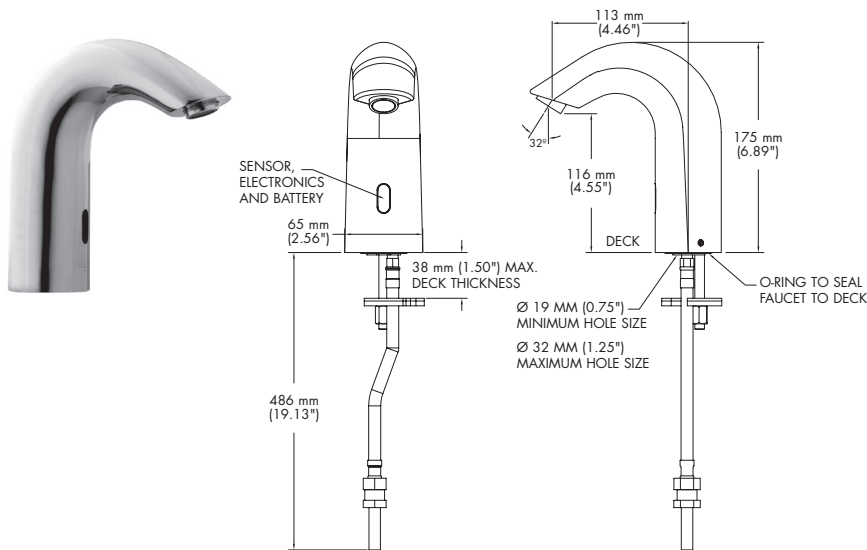
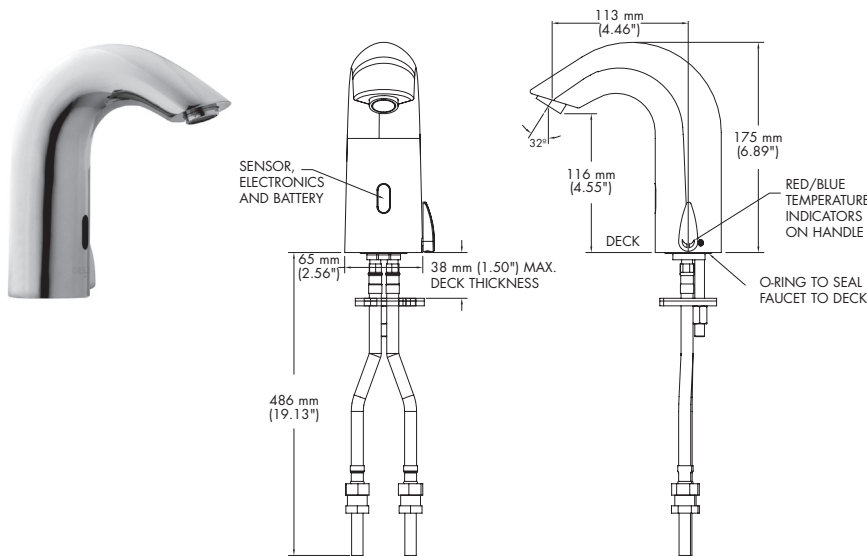


## DEM-101 (BATTERY OPERATED WITH NO MIX)



## DEM-111 (BATTERY OPERATED WITH USER MIX)



## HARDWIRE CONVERSION OF DEM-101 AND DEM-111

Requires **SEPARATE** order of either:

- (A)** One 060958A DEMD plug in transformer (120VAC to 9VDC) **OR** **(B)** One 060704A hardwire 20VA transformer (120VAC to 24VAC)  
**PLUS** One 061014A female by female connector **PLUS** One 060974A DEMD converter (24VAC to 9VDC)  
**PLUS** One 061014A female by female connector

### SPECIFICATION: (example)

- Deck mount electronic lavatory faucet
- Sensor detects user's hand to activate water flow
- One 9V battery (included)
- Adjustable maximum run time and optional Remote Control below
- Above deck battery and electronics
- Red light indicator blinks when battery is low
- 0.5 USGPM (1.9 L/min) aerator

### DEM-101 SERIES

- Electronic faucet for cold or pre-mixed water

MODEL #	FINISH
DEM-101	Chrome
DEM-101-NS	Nickel Stainless*

### DEM-111 SERIES

- Electronic faucet with mixer to adjust temperature

MODEL #	FINISH
DEM-111	Chrome
DEM-111-NS	Nickel Stainless*

\* Note: NS models are SPECIAL ORDER items with a minimum order quantity of 20 pieces and a 12 week lead time

### OPERATION

#### Sensing Range:

- Factory set to 8.6" (220 mm)
- Adjustable from 3.15" to 11.8" (80 mm to 300 mm) with optional remote control

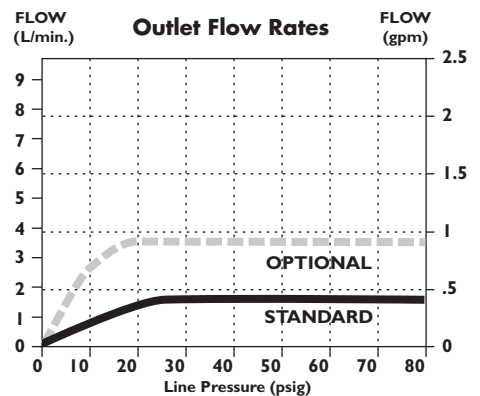
#### Maximum Run Time:

- 90 seconds, adjustable with remote control

### OPTIONAL ACCESSORIES

- 060967A** Remote Control
- 060961A** 1.0 USGPM (3.8 L/min) aerator

### FLOW RATE vs PRESSURE



### Approvals:

- ADA Compliant and meets Handicapped Accessibility Standard ASME A117.1 of less than 5 lbs. handle operating force.

Note: Measurements may vary ± 6mm (0.25")