

Central Brass

C O M P A N Y

Brecksville, Ohio 44141

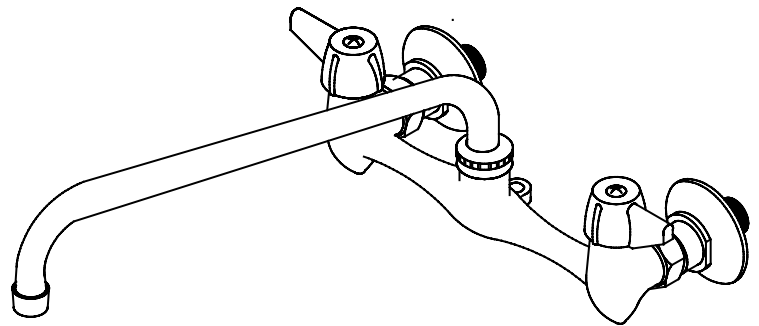
Phone: (216) 883-0220 Fax: (440) 526-5745

www.CentralBrass.com

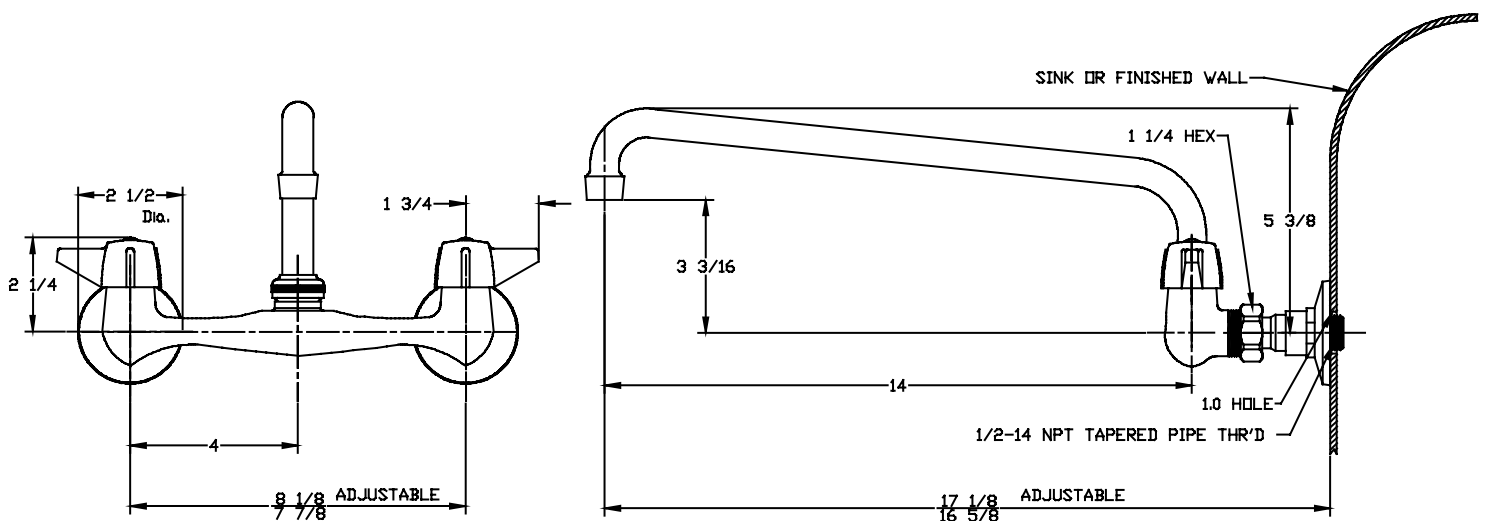
MODEL NO. 0047-TA4
SINK FIXTURE
ADA COMPLIANT

The wall mounted sink fitting is designed with a solid cast brass body with replaceable seats. The flanges are all brass and have 1/2-inch male pipe connections. The inlet supply location is adjustable by rotating the flange to obtain a 1/4-inch center variation. The 14-inch spout has a water saving aerator that limits the flow. The stems are all brass with a double O-Ring seal and rubber seat washer. The canopy handles are zinc die cast with a chrome plated finish. The faucet and flanges are polished and copper, nickel, and chrome plated.

Flow Rate: 2.0 GPM @ 60 psi
ADA Compliant and Meets ASME A112.18.1M
Certified by IAPMO R&T to NSF/ANSI 61



Installation Drawing



Central Brass

COMPANY

Brecksville, Ohio 44141

Phone: (216) 883-0220 Fax: (440) 526-5745

www.CentralBrass.com

MODEL NO. 0047-TA4
SINK FIXTURE
ADA COMPLIANT

Parts Breakdown

#	Part #	Description
1	2831-CP	Brass Faucet Body
2	263-BC	Bronze Seat
3	1028-Y	Nylon Gasket
4	104	Brass Seat Washer
5	901-WNN	Seat Washer
6	453-FL	Brass Left Thread O-Ring Stem
6	453-FR	Brass Right Thread O-Ring Stem
7	1038-453	O-Ring
8	453-EWC	Brass Left Thread O-Ring Bonnet
8	453-EWH	Brass Right Thread O-Ring Bonnet
9	523-C	Handle Indexed "C"
9	523-H	Handle Indexed "H"

#	Part #	Description
10	107-F	Brass Phillips Head Screw
11	1038-KN	O-Ring
12	166-FN	Stainless Steel Snap Ring
13	PF-783-DES	Brass Spout Nut
14	PF-363-MA	Brass Swivel Spout
15	30-M	Female Aerator
16	1146	Flange
17	PF-2843-49	Brass Hex Spout Nut
18	2846	Brass Flange
19	940-TRN	Washer
20	SU-453-EL	Left Thread O-Ring Stem Assembly
20	SU-453-ER	Right Thread O-Ring Stem Assembly
21	SU-2846	Brass Flange Assembly

