

## Features

- Clear, bell-shaped shades hang delicately from chunky bars and square bases in versatile, traditionally inspired designs
- Coordinates with faucets in the Riff collection
- Requires one bulb with medium (E26) base; T10 bulb recommended (sold separately)
- Suitable for damp locations, per UL 1598
- Includes installation hardware

## Material

- Premium metal and glass construction
- Manufactured with quality materials and complemented with a meticulous finishing process
- Durable finishes engineered to last and designed to coordinate with KOHLER faucet finishes



## Codes/Standards

UL 1598  
CSA C22.2 No. 250.0

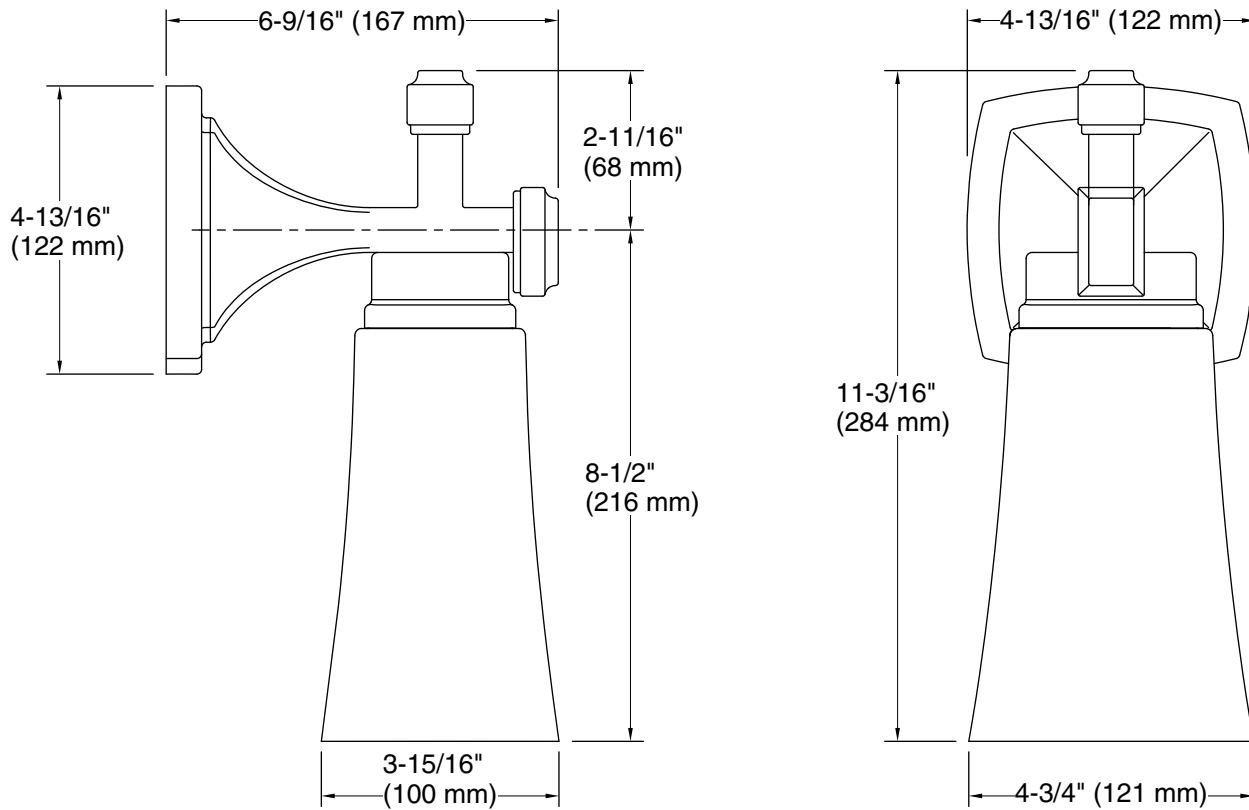
## KOHLER® Indoor Lighting Fixtures Limited Warranty

See website for detailed warranty information.

## Available Colors/Finishes

*Color tiles intended for reference only.*

Color	Code	Description
	SNL	Polished Nickel
	BNL	Brushed Nickel
	CPL	Polished Chrome
	BLL	Matte Black
	2GL	Brushed Moderne Brass



## Required Electrical Service

One circuit required.

120 V, 60 Hz

## Technical Information

All product dimensions are nominal.

Material: Steel, Glass, Aluminum, Zinc

Number of Lights: 1

Lighting Type: Socket-based

Socket Type: E-26 Medium

Number of Shades: 1

Shade Type: Glass - clear