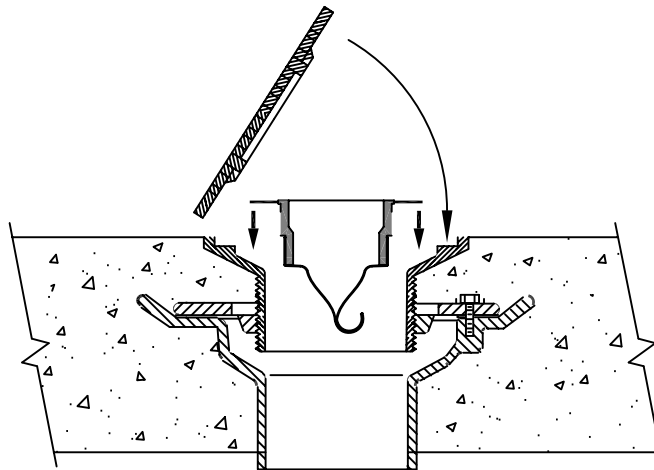


TRAP GUARD INSERT FOR EXISTING DRAINS

CAN BE USED ABOVE OR BELOW GROUND FLOOR

TRAP GUARD INSERT FITTING FITS
ZURN Z-415 TAILPIECE DRAIN



□ PART NO. TG33-ZURN 3" INSERT FITS INSIDE Z-415 DRAINS

FOR TRAP GUARDS INSERTING INTO GASKET CONNECTED DRAINS, SEE DRAWING TG-23-G

IMPORTANT NOTES :

1. This Trap Guard insert can be installed into any Zurn # 415 drain tops to prevent sewer gas emission.
2. The extra wide flange needs to have an adhesive type caulk installed around the bottom edge.
3. Most Z415 tailpieces have 4 protrusions inside the 3-1/2" opening so the seal must be made around the edge of the TG flange. Make sure inside of tailpiece is clean.

If the trap guard device should get damaged or impaired in any way, the device can be easily removed by using a sharp screw driver under the flange.

Note: Care should be taken not to touch the elastomeric flexible material with the primer.

MAINTENANCE INSTRUCTIONS:

The Trap Guard device should be inspected periodically for build up of any type debris. The device should then be flushed out thoroughly with clear warm water.



NO FIRE RATINGS ARE
REQUIRED FOR UNDERGROUND
PIPING OR OPENINGS



PROSET[®]
SYSTEMS
FIRESTOP PENETRATOR™

DATE :
9-02-03

DRG . NO .
TG-33-Z