

FIRE-RATED DRAIN OUTLET BOX

▶▶ 696 SERIES

OxBox™

SPECIFICATION

Sioux Chief 696R series OxBox fire-rated drain box with finish frame shall be used where necessary in accessible plumbing applications. Box shall incorporate mounting tabs, and include metal support bracket for installation into track of box for added support. Drain box shall have a 5/8" integral testable nipple on knockout. Drain connection shall be 2".

INSTALLATION

Stud construction can be non-load bearing or load bearing. Wood or metal stud construction, max 100 in² of penetrations per 100 ft² of wall. See fire-rated design specification - page 2.

MATERIALS

Outlet box: ABS

Frame: Fire-rated ABS

Frame Extension*: Fire-rated ABS

Bracket: Galvanized steel

Fire-guard: Intumescent material

*696-EX available separately. Used with two layers of drywall for 2-hour specifications.

WORKING TEMPERATURE

Melting point: 200°F

Working temperature: 150°F

CERTIFICATIONS/APPROVALS

IAPMO listed - Conforms to IPC

Listed by Warnock Hersey to meet:

ASTM E-814, CAN/ULC S115

2 hours (F), 31 minutes (T) for 2-hour design

1 hour (F), 31 minutes (T) for 1-hour design

ASTM E-119, UL 1479

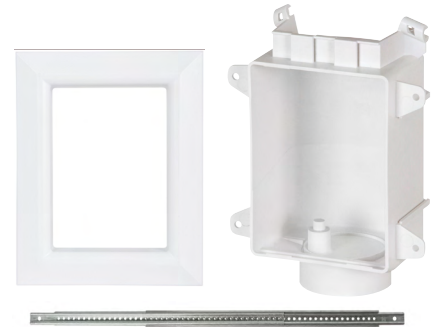
System design number:

SC/WA120, W/N 14409

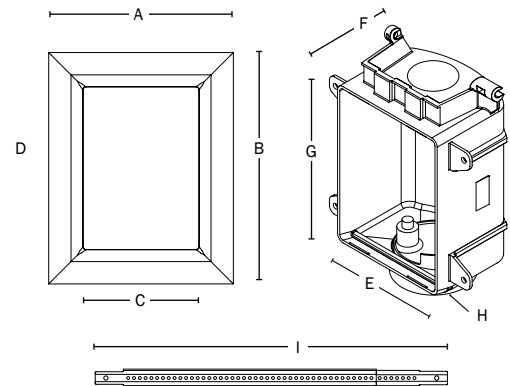
DIMENSIONS

A: Frame width	5 3/4"
B: Frame height	7 1/4"
C: Frame opening width	3 5/8"
D: Frame opening height	5 1/8"
E: Rough-in box inner width	4"
F: Rough-in box overall depth	3 1/2"
G: Rough-in box inner height	5 1/2"
H: Drain connection	2" Sch. 40 hub
I: Bracket length	18"

ITEM # SUBMITTED	_____
JOB NAME	_____
LOCATION	_____
ENGINEER	_____
CONTRACTOR	_____
PO#	_____ TAG _____



696R3



Item Number

696R3

Available separately:
 Fire-Rated frame extension: 696-EX
 Galvanized box clip for stud mount: 696-BC

FIRE-RATED OXBOX

DESIGN SPECIFICATION

1. WALL CONSTRUCTION

- Wood or metal stud construction, max 100 in.² of penetrations per 100 ft² of wall.
- 16" or 24" on-center stud construction.
- Can be installed with a gap between front and back wall assemblies (UL Design # U341) (Figure 2).
- Single-layer 5/8" gypsum construction with 1-hour fire rating.
- Double-layer 5/8" gypsum construction with 2-hour fire rating. Frame extensions can be used.
- Boxes cannot be installed back to back.

2. PIPE/BOX SUPPORT

- Each outlet box shall be installed in a separate stud bay and attached to the stud (Figure 3 & 4). Fire rating does not apply to installations of two or more boxes in the same stud bay.
- Supplied support bar.
- Supply lines to be installed using ordinary methods.
- Drain line to be supported using ordinary methods.

3. PIPE MATERIAL

- 2" or larger metallic, PVC, or ABS DWV pipe.
- Metallic or plastic water supply pipe.

4. FIRESTOP DEVICE

Sioux Chief fire-rated OxBox uses fire-rated resin. Boxes have 4" x 4" intumescent adhesive pads factory installed on the back of boxes.

NOTE: Gaps up to 1/2" around box can be sealed with drywall plaster. Larger gaps require firestop sealant applied to opening spanning entire drywall depth

"over stud" installation

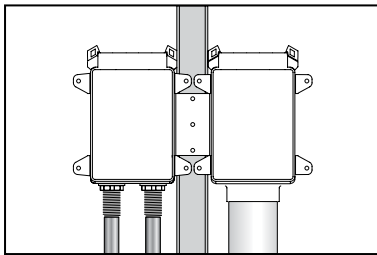


FIGURE 3

"separate stud bay" installation

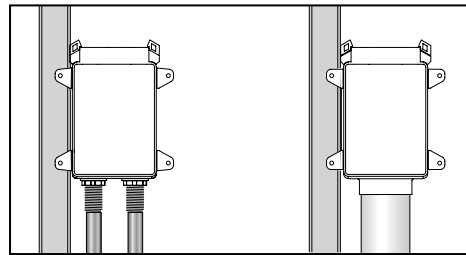


FIGURE 4

FIGURE 1

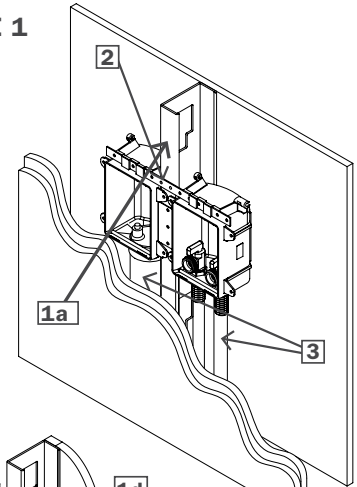
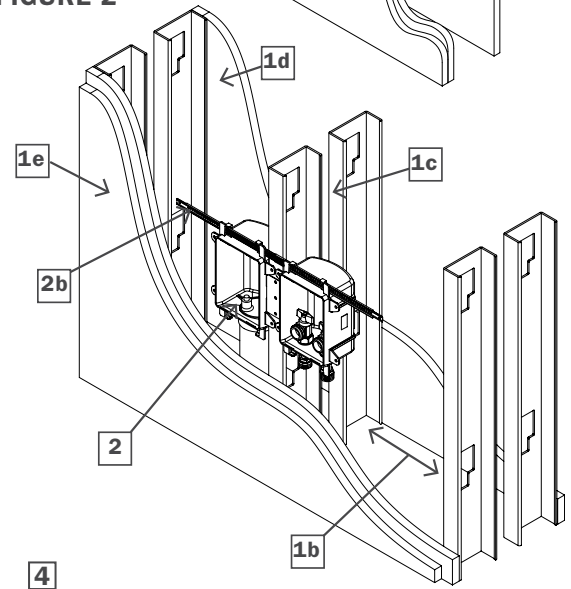
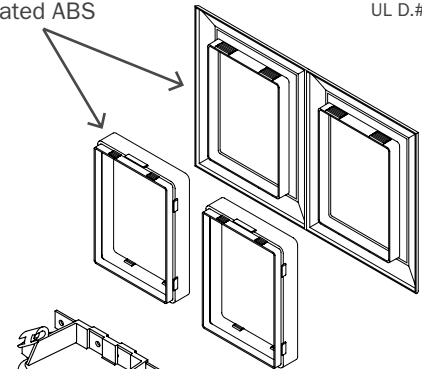


FIGURE 2



4 Fire-rated ABS

UL D.#U341



Intumescent pads

THE FIRE-RATED OXBOX IS CERTIFIED BY INTERTEK/WARNOCK HERSEY TO THE FOLLOWING FIRE RATING STANDARDS:

ASTM E-814

2 hours (F), 1½" hours (T)
for 2-hour design
1 hour (F), 31 mins (T)
for 1-hour design

ASTM E119

CAN/ULC S115

2 hours (F), 1½" hours (T)
for 2-hour design
1 hour (F), 31 mins (T)
for 1-hour design

UL 1479

