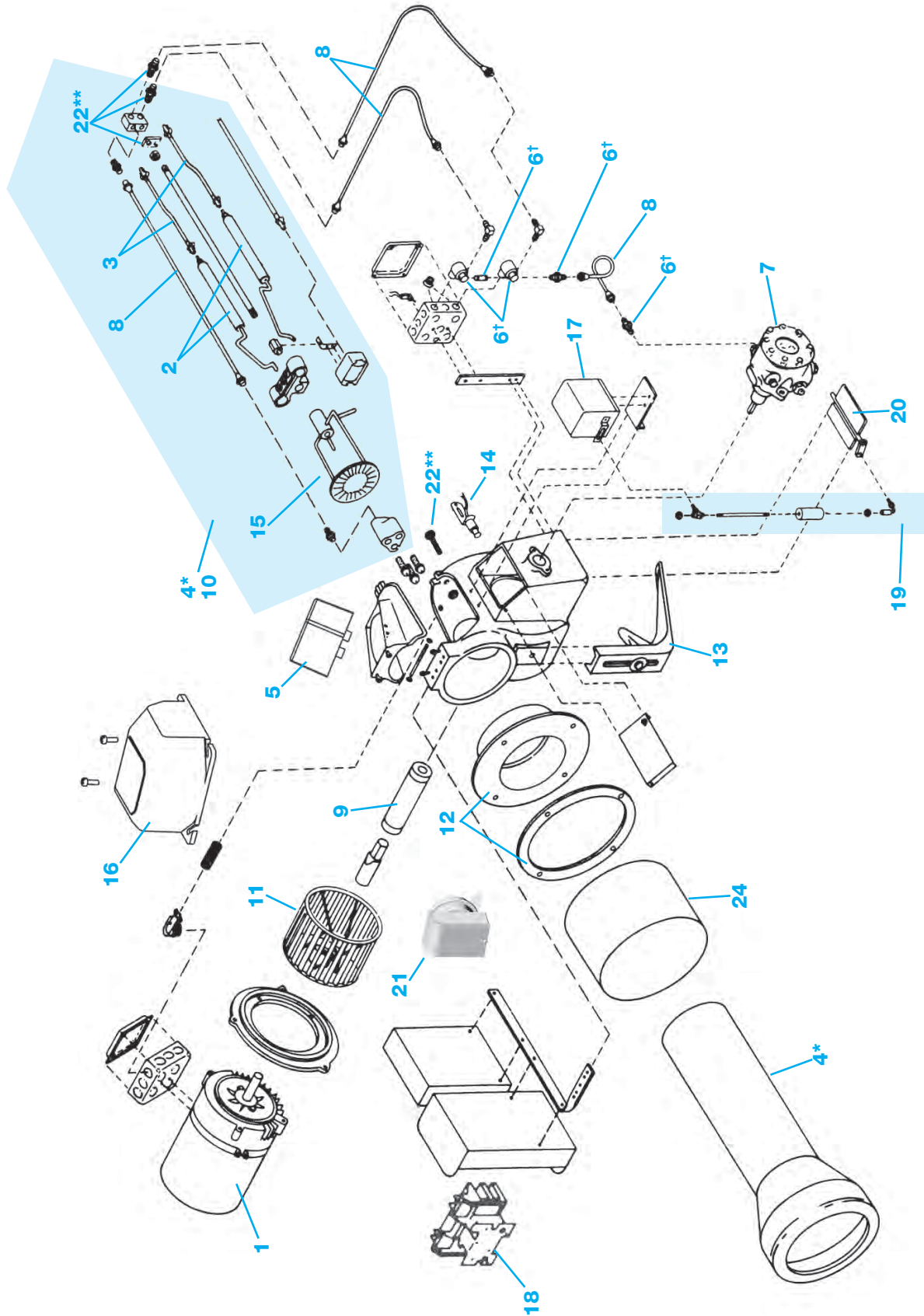


44 601. 701, 702 Oil Burners
Note: Parts may not be exactly as shown in diagram.

*4 includes selected air tube and combustion head assembly

ITEM	PART NO.	DESCRIPTION	601CRD	701CRD	702CRD
1	27706S	1/2 hp, 115/230V, 60HZ, 1 Phase, 3450 rpm Motor	•	•	•
2	98507S	Electrode Set (2), Approx. 9-1/4" OAL	•	•	•
3	56069S	Ignition Wire 9-1/4" OAL, for Nominal 12" Air Tube (2 req'd)	•	•	•
	56036S	Ignition Wire 10-3/4" OAL for Nominal 14" Air Tube (2 req'd)	•	•	•
	56085S	Ignition Wire 8-3/8" OAL, for Nominal 10" Air Tube (2 req'd)	•	•	•
4	22517S	601CRD 10" Standard Air Tube/Combustion Head Assy	•		
	22541S	601CRD 12" Standard Air Tube/Combustion Head Assy	•		
	22574S	601CRD 14" Standard Air Tube/Combustion Head Assy	•		
	22632S	701CRD 10" Standard Air Tube/Combustion Head Assy		•	
	22665S	701CRD 12" Standard Air Tube/Combustion Head Assy		•	
	22699S	701CRD 14" Standard Air Tube/Combustion Head Assy		•	
5	68650S	702CRD 10" Standard Air Tube/Combustion Head Assy			•
	41000S	110V Ignitor	•	•	•
	41000SOLC	110V Ignitor on Baseplate	•	•	•
6	40857S	Instant Oil Valve 32Z0071TSCV	•		•
	41004S	Instant Oil Valve 32Z0078TSCV 3 Way		•	•
	61150KITS	Oil Valve Fitting Kit (44560, 29678, 44461, 29728, 44545)	•	•	•
7	74450S	Fuel Unit, 2 Stage, NYC, J4PB-B1000G	•		
	74468S	Fuel Unit, 2 Stage, NYC, J4PB-B1000G		•	
	23556S	Fuel Unit, 2 Stage, B2TA-8851			•
	74476S	Fuel Unit, 2 Stage, NYC, B2TA-8851 100/300PSI			•
	98042S	Fuel Unit, 2 Stage, B2TA-8260		•	
	98127S	Fuel Unit, 2 Stage, NYC, B2TA-8260		•	
	98126S	Fuel Unit, 2 Stage, NYC, B2TA-8260		•	
8	75291S	Oil line kit	•	•	•
9	28738S	Coupling 1/2" ID x 7/16" ID x 4 7/8" L, H or J Pump		•	•
	28761S	Coupling 1/2" ID x 5/16" ID x 6 11/32" L, B Pump		•	•
	98856S	Coupling 1/2" ID x 5/16" ID x 6 13/16" L, B Pump			•

ITEM	PART NO.	DESCRIPTION	601CRD	701CRD	702CRD
10	56416S	10" Nominal 20-3/4" OAL Combustion Head Assy	•		
	56440S	12" Nominal 22-3/4" OAL Combustion Head Assy	•		
	56473S	14" Nominal 24-3/4" OAL Combustion Head Assy	•		
	57349S	10" Nominal 20-3/4" OAL Combustion Head Assy		•	
	57539S	12" Nominal 22-3/4" OAL Combustion Head Assy		•	
	57596S	14" Nominal 25-3/4" OAL Combustion Head Assy		•	
	57737S	10" Nominal 20-3/4" OAL Combustion Head Assy			•
11	28589S	Blower Wheel: 6-5/16" OD x 4" W, 1/2" Bore	•	•	
	98857S	Blower Wheel Only, 6-1/2" OD x 3-3/4" W, 1/2" Bore			•
	98857KITS	Blower Wheel, Coupling, Augmentor, 6-1/2" OD x 3-3/4" W, 1/2" Bore			•
12	23259S	4" Universal Flange & Gasket	•	•	•
	23184S	4" Pressure Flange & Gasket	•	•	•
	59444UWS	4" Pressure Flange & Gasket – Ultra Violet	•	•	•
13	23382S	Pedestal w/ hardware	•	•	•
14	14407S0ES	Cad Cell Kit	•	•	•
15	56580S	Retention Ring Assy 601CRD	•		
	56697S	Retention Ring Assy 701CRD		•	
	56747S	Retention Ring Assy 702CRD			•
16	70200S	Universal Primary W/ Display 70200	•	•	•
	4020002S	Model 40200 Primary 30/15/30	•	•	•
	5020002S	Model 50200 Primary 30/15/30	•	•	•
	6020002S	Model 60200 Primary 15/15/15	•	•	•
17	35808S	Damper Motor – M436A		•	•
18	22871S	Damper Motor Linkage Kit		•	•
19	47407S	Air Shutter Assembly	•		
	48108S	Air Shutter Assembly		•	•
20	6702KITS	Hardware Kit (54916, 29694, 47167, 29892, 29728)	•	•	•



46 801, 1050 & 1150 Oil Burners

Note: Parts may not be exactly as shown in diagram.

*4 includes selected air tube and combustion head assembly
 †6 includes multiple parts **22 includes multiple parts

ITEM	PART NO.	DESCRIPTION	801CRD	1050FFD	1150FFD
1	27730S	Motor: 3/4HP 115/208-230V 60HZ, 1 Phase, 3450 RPM	•		
	27748S	Motor: 3/4HP 115/208-230V 60HZ, 3 Phase, 3450 RPM	•		
	27516S	Motor: 1HP 115/208-230V 60HZ, 1 Phase, 3450 RPM		•	
	27532S	Motor: 1 HP 115/208-230V 60HZ, 3 Phase, 3450 RPM		•	
	27557S	Motor: 1-1/2HP 115/208-230V 60HZ, 1 Phase, 3450 RPM	•		
	27565S	Motor: 1-1/2HP 115/208-230V 60HZ, 3 Phase, 3450 RPM	•		
2	98507S	Electrode Set of 2, Approx. 9-1/4" OAL	•	•	•
3	56069S	Ignition Wire: 9-1/4" OAL, for Nominal 10" Air Tube (2 req'd)	•		
	56127S	Ignition Wire: 10-1/8" OAL for Nominal 12" Air Tube (2 req'd)	•		
	56135S	Ignition Wire: 11-5/8" OAL, for Nominal 15" Air Tube (2 req'd)	•		
	55772S	Ignition Wire: 12-1/4" OAL (2 req'd)	•	•	•
4	22756S	801CRD 10" Standard Air Tube/Combustion Head Assy	•		
	22780S	801CRD 12" Standard Air Tube/Combustion Head Assy	•		
	22814S	801CRD 15" Standard Air Tube/Combustion Head Assy	•		
	45328KIT	18-1/2" OAL Air Tube/Combustion Head Assy & Flame Funnel Assy		•	
	45344KIT	18-1/2" OAL Air Tube/Combustion Head Assy & Flame Funnel Assy used with UV and Infra-red scanners		•	
	45393KIT	15-3/8" OAL Air Tube/Combustion Head Assy & Flame Funnel Assy	•		
	45443KIT	15-3/8" OAL Air Tube/Combustion Head Assy & Flame Funnel Assy used with UV and Infra-red scanners	•		
	41000S	110V Ignitor	•	•	•
41000S0LC	110V Ignitor on Baseplate	•	•	•	
6	41004S	Instant Oil Valve 3Z20078TSCV 3 Way	•		
	40600S	Instant Oil Valve 3Z20027TSCV 3 Way	•		
	61150KITS	Oil Valve Fitting Kit (44580, 29678, 44461 (.047), 44545, 29694)	•		
7	98042S	Fuel Unit, 2 Stage, B27A-8260	•		
	98126S	Fuel Unit, 2 Stage, B27A-8260, NYC	•		
	23507S	Fuel Unit, 2 Stage, J4PB-B1000G	•	•	•
	74484S	Fuel Unit, 2 Stage, NYC, J4PB-B1000G	•		
	74492S	Fuel Unit, 2 Stage, NYC, J4PB-B1000G	•	•	•
8	34785KITS	Oil line kit (incl. all oil lines)	•	•	•
9	98229S	Coupling: 1/2" ID x 5/16" ID x 6-1/2" L, B Pump	•		
	28779S	Coupling: 1/2" ID x 7/16" ID x 5-13/16" L, H or J Pump	•		
10	58032S	10" Nominal 22-1/4" OAL Combustion Head Assy	•		
	58081S	12" Nominal 24-1/4" OAL Combustion Head Assy	•		
	58123S	15" Nominal 27-1/4" OAL Combustion Head Assy	•		
	51961S	Standard 27-1/2" OAL Combustion Head Assy		•	
	52019S	Standard 27-1/2" OAL Combustion Head Assy		•	
11	28548S	Blower Wheel/Fan: 7" OD x 5 W, 5/8" Bore	•	•	•
	28555S	Blower Wheel/Fan: 7-5/8" OD x 5" W, 5/8" Bore	•	•	•

ITEM	PART NO.	DESCRIPTION	801CRD	1050FFD	1150FFD
12	23283S	5" Universal Flange & Gasket	•		
	23218S	5" Pressure Flange & Gasket	•	•	
	59576S	5" Pressure Flange & Gasket – For use with Ultra Violet Control	•		
	59550S	Flange/Gasket for use with Ultra Violet Control		•	
	59592S	Flange/Gasket for Forced Draft			•
	59618S	Flange/Gasket for use with Ultra Violet Control			•
13	23382S	Pedestal w/ hardware	•	•	•
14	1440750ES	Cad Cell Kit	•		
15	56812S	Retention Ring Assy 801CRD	•		
	55210S	Retention Ring Assy 1050FFD		•	
	55269S	Retention Ring Assy 1150FFD			•
16	70200S	Universal Primary W/ Display 70200*	•		
	4020002S	Model 40200 Primary 30/15/30*	•		
	5020002S	Model 50200 Primary 30/15/30*	•		
	6020002S	Model 60200 Primary 15/15/15*	•		
	99822S	EMX43UV – Control Set Honeywell RM7840L	•	•	•
	99822CS	EMX43UVSC – Control Set Honeywell RM7840L	•	•	•
*Cannot use on burners firing 20GPH or greater					
17	35808S	Damper Motor – M436A	•	•	•
18	35824S	Motor Contactor 20 AMP R4242B1005	•		
	35840S	Motor Contactor 30 AMP R4243B1004	•		
19	22889S	Damper Motor Linkage Kit	•	•	•
20	48504S	Air Shutter Assembly**	•	•	•
**Includes 48405S & 50252S and all components to adjust air					
21	35881S	Air Flow Switch Kit		•	•
22	81150KITS	Hardware Kit (includes 54916,47167,29728,29892)	•	•	•
23	97203S	Auxiliary Switch Damper Motor 0607B-1067 & Shaft Extension (not shown)		•	•
24	61820S	Spacer 4" Long		•	
	61838S	Spacer 5" Long		•	
	61846S	Spacer 6" Long		•	
	61853S	Spacer 7" Long		•	
	61861S	Spacer 8" Long		•	
	61879S	Spacer 4" Long		•	
	61887S	Spacer 5" Long		•	
	61895S	Spacer 6" Long		•	
61903S	Spacer 7" Long		•		
61911S	Spacer 8" Long		•		

ITEM	PART NO.	DESCRIPTION	702Gas	702G/O
13	98856S	Coupling 1/2" ID x 5/16" ID x 6-13/16" L, B Pump	•	•
14	56747S	Retention Ring Assy 702CRD	•	•
15	75291S	Oil line kit (75358S, 75291S)	•	•
16	35824S	Motor Contactor 20 AMP R4242B1 005 (not shown)	•	•
17	22889S	Damper Motor Linkage Kit	•	•
18	34215S	Thermal fuse	•	•
19	35311S	C7027A1023 UV Scanner	•	•
	97656S	Q7800B1003 Sub Base	•	•
	99766S	RM7897C1000 Programming Control	•	•
	97662S	R7849A1023 Amplifier	•	•
	97716S	ST7800A1054 Timing Card	•	•
	EMX15UVS	EMX15UV KIT includes all of the above	•	•
20	23382REDS	Pedestal (not shown)		•
	23382BLU1S	Pedestal (not shown)	•	
21	6702KITS	Hardware Kit (Yoke 54916, C/H adj screw 47167, oil line elbow 29694)	•	•

ITEM	PART NO.	DESCRIPTION	702Gas	702G/O
1	27706S	Motor: 1/2 hp, 115/230V, 60HZ, 1 Phase, 3450 rpm	•	•
2	98507S	Electrode Set of 2, Approx. 9-1/4" OAL	•	•
3	55772S	Ignition wire – One wire in Service Pack (2 Req'd)	•	•
4	99541S	14" Tube with pressurized flange 1" main gas inlet; 1/2" pilot inlet	•	•
5	98522S	Air Flow Switch 120 Volt	•	•
6	40246S	Gasket	•	•
7	35808S	Damper Motor – M436A	•	•
8	40857S	Instant Oil Valve 3Z20071TSCV	•	
	41004S	Instant Oil Valve 3Z20078TSCV 3 Way	•	
	61150KITS	Oil Valve Kit (44560, 29678, 44461, 29728, 44545)	•	
9	23556S	Suntec, 2 Stage, B2TA-8851		•
	74476S	Suntec, 2 Stage, NYC, B2TA-8851 100/300PSI		•
10	57810S	14" Combustion Head Assembly (includes thermal fuse and electrode wire)	•	•
11	41000S	Ignitor	•	•
	41000SOLC	Ignitor on Baseplate	•	•
12	98857KITS	Blower Wheel, Coupling, Augmentor, 6-1/2" OD x 3-3/4" W, 1/2" Bore	•	•