



# Z1218

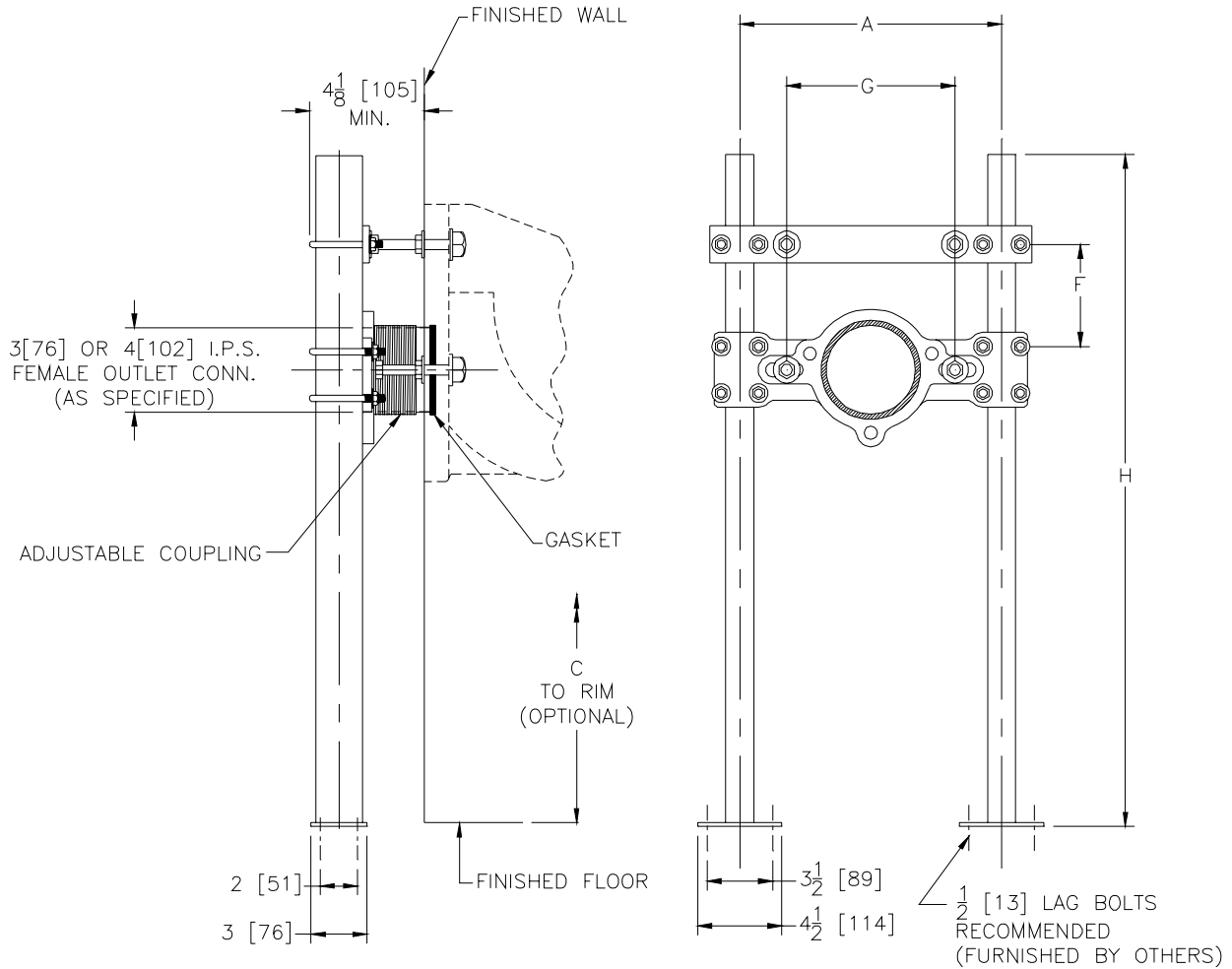
## COUPLING TYPE SYSTEM

### WALL URINAL / SERVICE SINK

SPECIFICATION SHEET

TAG \_\_\_\_\_

Dimensional Data (inches and [ mm ]) are Subject to Manufacturing Tolerances and Change Without Notice



Product No.	Outlet Inches	Approx. Wt. Lbs. [kg]
Z1218	3-4 [76-102]	63 [29]

**ENGINEERING SPECIFICATION: ZURN Z1218**

Service sink support system. Complete with Dura-Coated rectangular steel uprights with welded feet, adjustable face plate and upper support plate, adjustable corrosion resistant coupling, fixture bolts, trim and bonded "Neo-Seal" gasket.

**OPTIONS** (Check/specify appropriate options)

**PREFIXES**

\_\_\_ Z Dura-Coated System with Adjustable Coupling \*

**SUFFIXES**

- \_\_\_ -B Blowout Type Fixture Support
- \_\_\_ -VP Vandal Proof Trim
- \_\_\_ -WS Wall Support Valve Plate (Specify Valve Name and Number)
- \_\_\_ -79 Paraplegic Rough-In

\*REGULARLY FURNISHED UNLESS OTHERWISE SPECIFIED

<b>REV. E</b>	<b>DATE: 3/24/05</b>	<b>C.N. NO. 93147</b>
<b>DWG. NO. 58848</b>		<b>PRODUCT NO. Z1218</b>