

### ULTRA Plus

#### Description

Exposed chrome plated flush valve for 1-1/2" top spud fixtures.

#### Flush Cycle

1.6 gpf / 6 Lpf Low Consumption

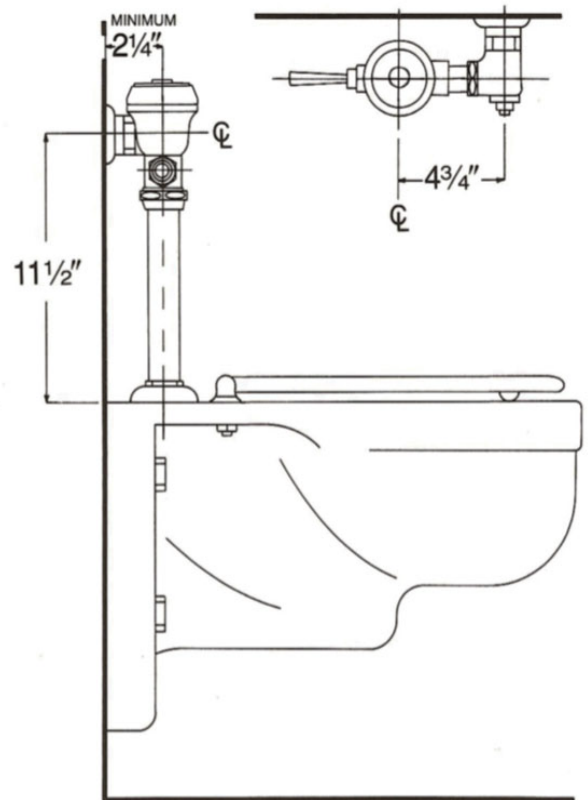
#### Specification

- Regulating screw for "True-in-the-Field" water conservation.
- Mashaerator self-cleaning bypass diaphragm.
- ADA compliant metal "Rubberflex" oscillating handle.
- Renewable main valve seat.
- 1" vandle resistant capped screwdriver angle stop with back-check.
- Sweat adapter kit.
- SlipFit adjustable tailpiece.
- 1-1/2" x 9" vacuum breaker flush connection.
- Wall flange, spud nut and spud flange for 1-1/2" top spud.
- All rubber parts molded of chloramine resistant rubber.

#### Variations

- AM - Antimicrobial Coated Handle
- G - Bumper on angle stop (for seat without cover)
- SM - Side Mounted Sensor Actuator
- T5 - Non-Hold-Open Feature
- T6 - Wall flange with allen set screw
- T36 - Solid ring wall support for flush connection
- T46 - Split ring wall support for flush connection
- TS - TruStop Ball valve designed Control Stop
- VPS - Vandal Proof Control Stop with Key

Valve is certified to be in compliance to the applicable sections of ASSE 1037 and ANSI/ASME 112.19.2



ASSE 1037

