



e-GS

35GS, 45GS, 65GS & 85GS

35-85 GPM 1-10HP, 60 HZ, SUBMERSIBLE PUMPS



FEATURES

Powered for Continuous Operation: All ratings are within the working limits of the motor as recommended by the motor manufacturer. Pump can be operated continuously without damage to the motor.

Field Serviceable: Units have left hand threads and are field serviceable with common tools and readily available repair parts.

Sand Handling Design: Our face clearance, floating impeller stack has proven itself for over 50 years as a superior sand handling, durable pump design.

FDA Compliant Non-Metallic Parts: Impellers, diffusers and bearing spiders are constructed of glass filled engineered composites. They are corrosion resistant and non-toxic.

Discharge Head/Check Valve: Cast 303 stainless steel for strength and durability. Two cast-in safety line loops for installer convenience. The built-in check valve is constructed of stainless steel and FDA compliant BUNA rubber for abrasion resistance and quiet operation.

Motor Adapter: Cast 303 stainless steel for rigid, accurate alignment of pump and motor. Easy access to motor mounting nuts using standard open end wrench.

Stainless Steel Casing: Polished stainless steel is strong and corrosion resistant.

Hex Shaft Design: Six sided shafts for positive impeller drive.

Engineered Polymer Bearings: The proprietary, engineered polymer bearing material is strong and resistant to abrasion and wear. The enclosed upper bearing is mounted in a durable glass filled engineered composite bearing spider for excellent abrasion resistance.

WATER END DATA

Series	Model	Required HP	Stages	Water End	
				Length (in)	Weight (lbs)
35GS	35GS10	1	6	14.2	8
	35GS15	1.5	8	16.6	9
	35GS20	2	10	19.1	10
	35GS30	3	14	24.0	13
	35GS50	5	23	36.4	20
	35GS75	7.5	36	53.0	28
	35GS100	10	46	65.2	34
45GS	45GS15	1.5	5	12.9	8
	45GS20	2	7	15.4	9
	45GS30	3	10	19.0	10
	45GS50	5	17	27.7	15
	45GS75	7.5	25	38.9	21
	45GS100	10	34	50.6	27
65GS	65GS15	1.5	6	19.1	10
	65GS20	2	7	21.2	11
	65GS30	3	10	27.4	12
	65GS50	5	16	41.2	18
	65GS75	7.5	26	62.3	35
	65GS100	10	33	76.8	42
85GS	85GS30	3	8	29.4	13
	85GS50	5	14	42.8	18
	85GS75	7.5	21	63.8	35
	85GS100	10	27	79.9	41

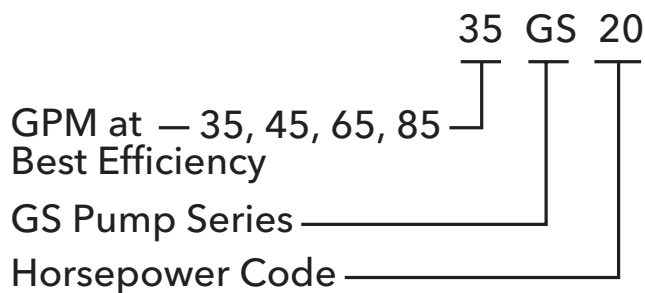
SPECIFICATIONS

Model	Flow Range GPM	Horse-Power Range	Best Efficiency GPM	Discharge Connection	Minimum Well Size	Rotation
35GS	10-50	1.0 - 10	35	2"	4"	CCW
45GS	20 - 65	1.5 - 10	45	2"	4"	CCW
65GS	30 - 80	1.5 - 10	65	2"	4"	CCW
85GS	40 - 120	3.0 - 10	85	2"	4"	CCW

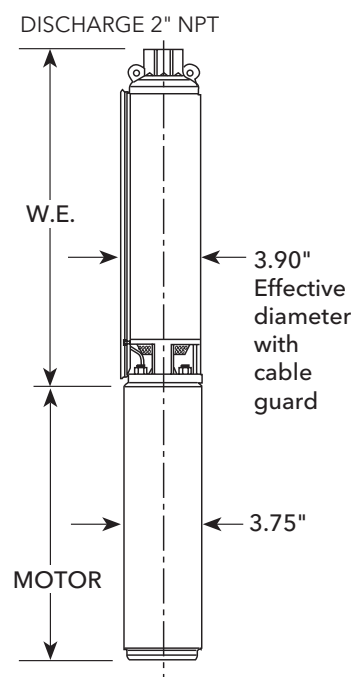
"GS" SERIES MATERIALS OF CONSTRUCTION

Part Name	Material
Discharge Head	AISI 303 SS
Check Valve Poppet	AISI 303 SS
Check Valve Seal	BUNA, FDA Compliant
Check Valve Seat	AISI 304 SS
Check Valve Retaining Ring	AISI 302 SS
Bearing Spider - Upper	Glass filled engineered composite
Bearing	Proprietary Engineered Polymer
Klipring	AISI 301 SS
Diffuser	Glass filled engineered composite
Impeller	Glass filled engineered composite
Bowl	AISI 304 SS
Intermediate Sleeve*	AISI 304 SS, Powder Metal
Intermediate Shaft Coupling*	AISI 304 SS, Powder Metal
Intermediate Bearing Spider*	Glass filled engineered composite
Intermediate Bearing Spider*	AISI 303 SS
Shim	AISI 304 SS
Screws - Cable Guard	AISI 304 SS
Motor Adapter	AISI 303 SS
Casing	AISI 304 SS
Shaft	17-4 PH Stainless Steel
Coupling	AISI 304 SS, Powder Metal
Cable Guard	AISI 304 SS
Suction Screen	AISI 304 SS

NOMENCLATURE - SOLD AS WATER ENDS ONLY



10 = 1	50 = 5
15 = 1½	75 = 7½
20 = 2	100 = 10
30 = 3	



CENTRIPRO 4" SINGLE-PHASE MOTORS

Order No.	Type	HP	Volts	Length in. (mm)	Weight lb. (kg.)
M10422	2-wire PSC	1	230	13.3 (337)	24.5 (11.1)
M15422		1.5		14.9 (378)	28.9 (13.1)
M10412	3-wire	1	230	11.7 (297)	23.1 (10.5)
M15412		1.5		13.6 (345)	27.4 (12.4)
M20412		2		15.1 (383)	31.0 (14.1)
M30412		3		18.3 (466)	40.0 (18.1)
M50412		5		27.7 (703)	70.0 (31.8)

CENTRIPRO 4" THREE-PHASE MOTORS

Order No.	HP	Volts	Length in. (mm)	Weight lb. (kg.)
M10430	1	200	11.7 (297)	22 (10.4)
M15430	1.5		11.7 (297)	22 (10.4)
M20430	2		13.8 (351)	28 (12.7)
M30430	3		15.3 (389)	32 (14.5)
M50430	5		21.7 (550)	55 (24.9)
M75430	7.5		27.7 (703)	70 (31.8)
M10432	1	230	11.7 (297)	23 (10.4)
M15432	1.5		11.7 (297)	23 (10.4)
M20432	2		13.8 (351)	28 (12.7)
M30432	3		15.3 (389)	32 (14.5)
M50432	5		21.7 (550)	55 (24.9)
M75432	7.5		27.7 (703)	70 (31.8)
M10434	1	460	11.7 (297)	23 (10.4)
M15434	1.5		11.7 (297)	23 (10.4)
M20434	2		13.8 (351)	28 (12.7)
M30434	3		15.3 (389)	32 (14.5)
M50434	5		21.7 (550)	55 (24.9)
M75434	7.5		27.7 (703)	70 (31.8)
M100434	10		-	-
M15437	1.5	575	11.7 (297)	23 (10.4)
M20437	2		15.3 (389)	32 (14.5)
M30437	3		15.3 (389)	32 (14.5)
M50437	5		27.7 (703)	70 (31.8)
M75437	7.5		27.7 (703)	70 (31.8)

NEMA MOTOR

- Corrosion resistant stainless steel construction.
- Built-in surge arrester is provided on single phase motors through 5 HP.
- Stainless steel splined shaft.
- Hermetically sealed windings.
- Replaceable motor lead assembly.
- NEMA mounting dimensions.
- Control box is required with 3 wire single phase units.
- Three phase units require a magnetic starter with three leg Class 10 overload protection.

AGENCY LISTINGS



CentriPro Motor - tested to UL778 and CAN 22.2 by CSA International (Canadian Standards Association)



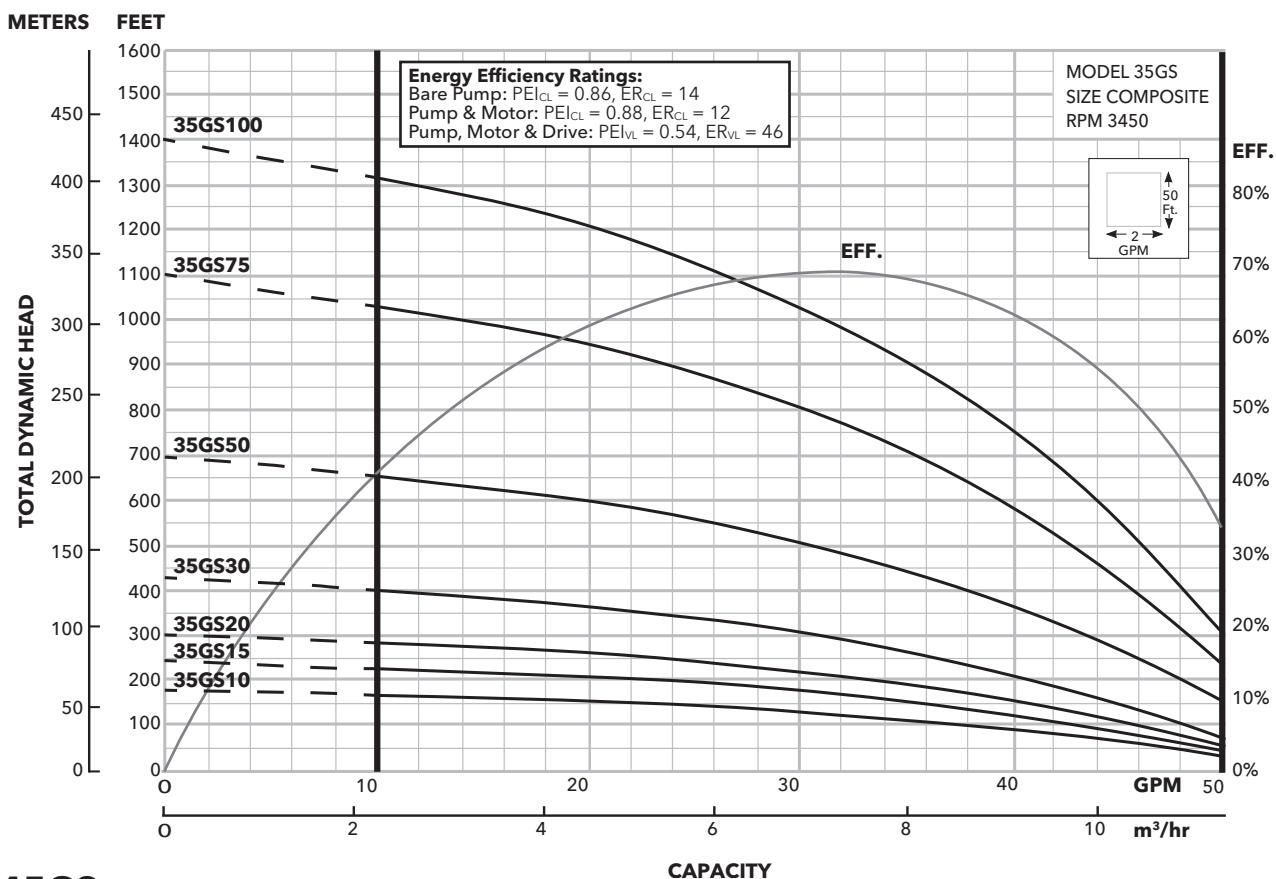
CentriPro Motor - Certified to NSF/ANSI 61, Annex G, Drinking Water System Components 4P49



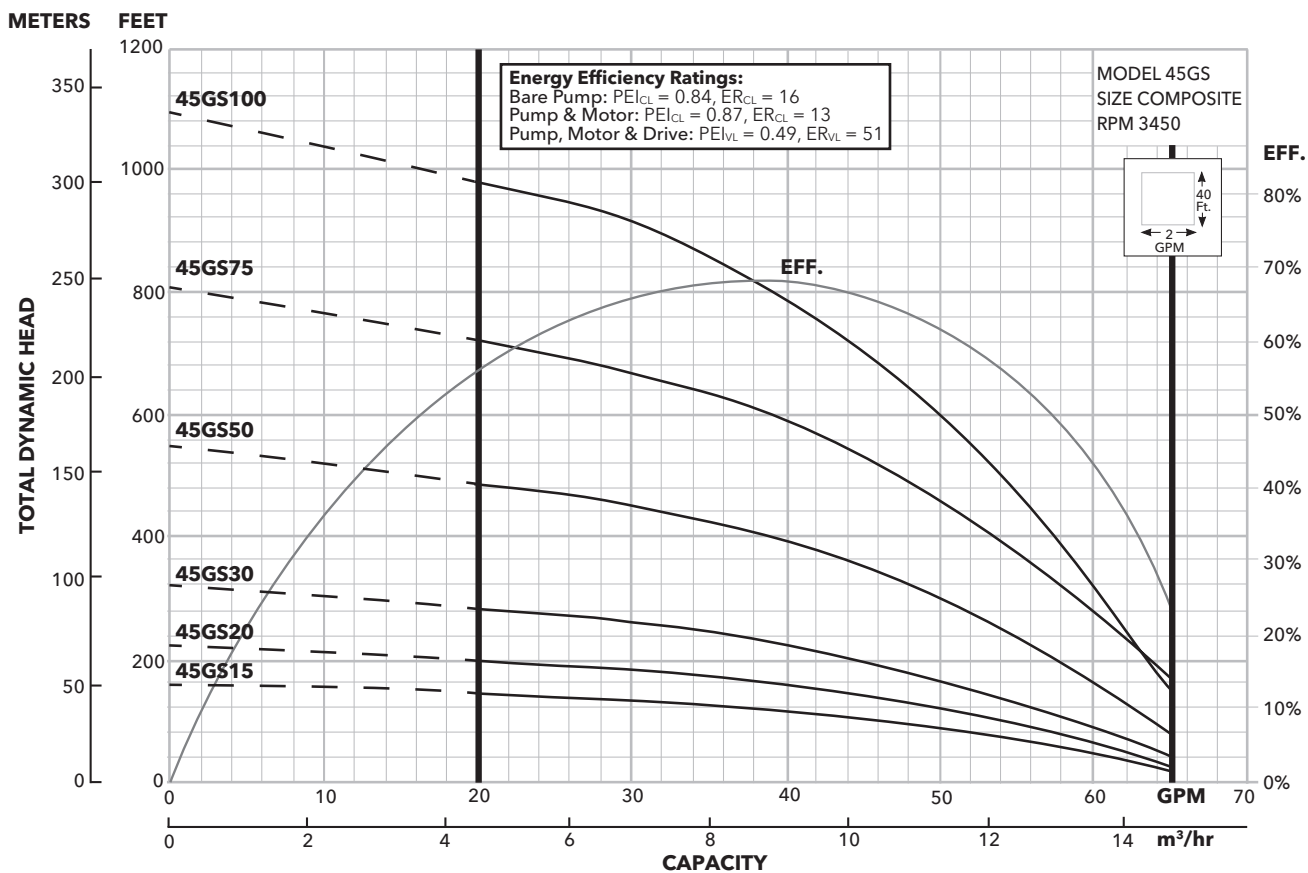
NSF/ANSI 372 - Drinking Water System Components - Lead Content

CLASS 6853 01 - Low Lead Content Certification Program - - Plumbing Products

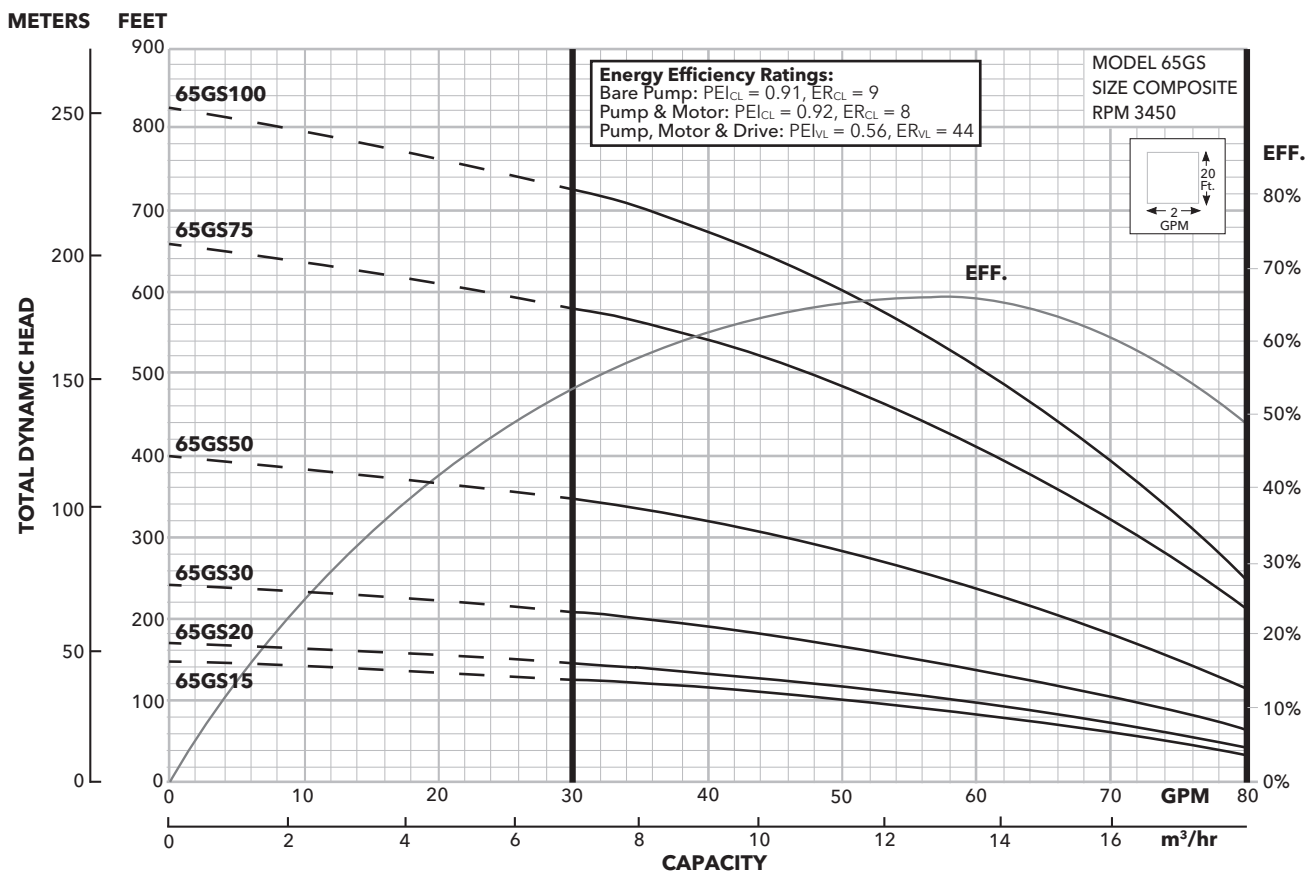
Model 35GS



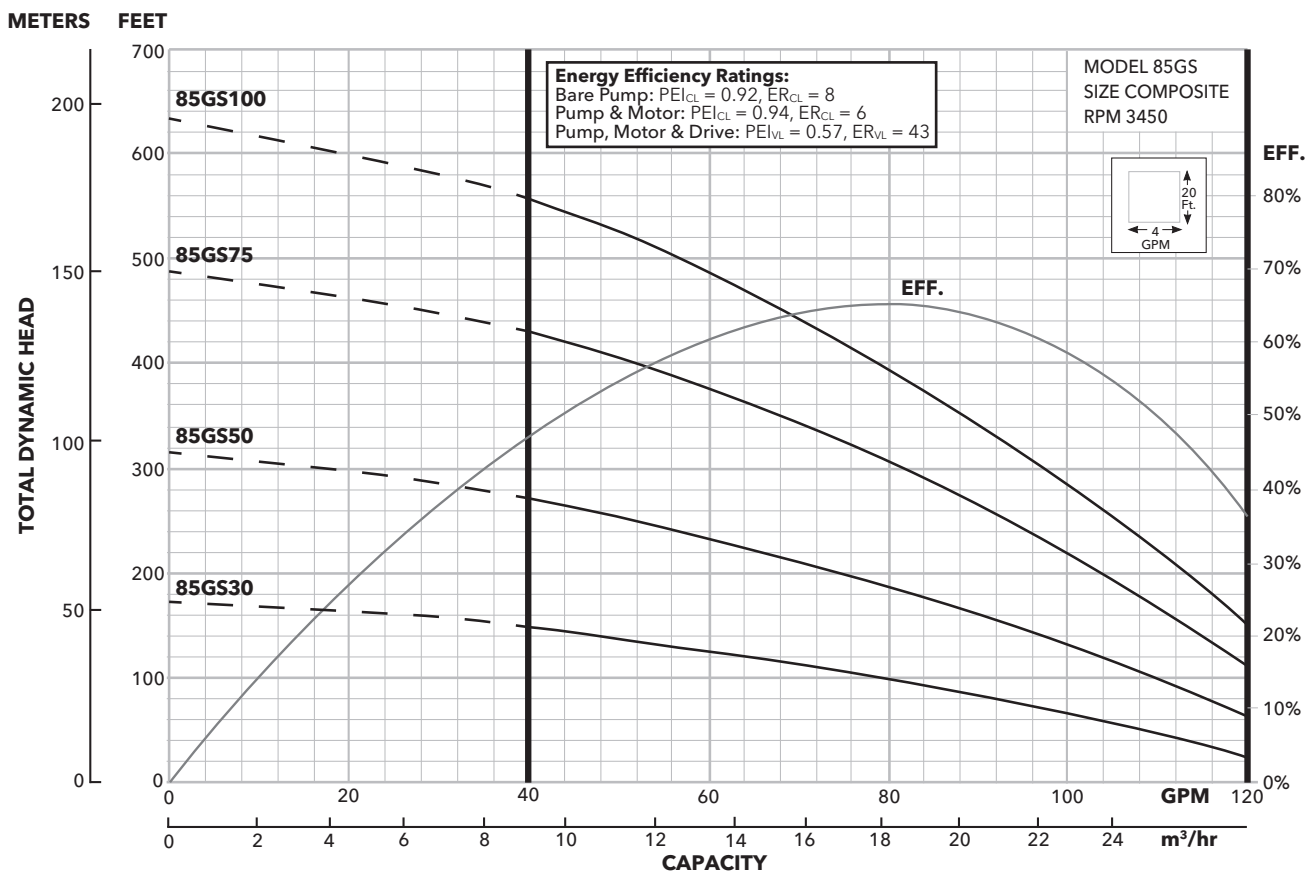
Model 45GS



Model 65GS



Model 85GS



MODEL 35GS

SELECTION CHART

Horsepower Range 1 - 3, Recommended Range 10 - 50 GPM, 60 Hz, 3450 RPM

Pump Model	HP	PSI	Depth to Water in Feet/Ratings in GPM (Gallons per Minute)																										
			20	40	60	80	100	120	140	160	180	200	220	240	260	280	300	320	340	360	380	400	420	440	460	480	520	560	600
35GS10	1	0		49	46	42	38	33	26	15																			
		20	44	40	36	31	23	11																					
		30	40	36	30	22																							
		40	35	29	20																								
		50	28	18																									
		60	16																										
Shut-off PSI			69	60	52	43	34	26	17	8																			
35GS15	1½	0			48	46	43	40	37	33	29	23	14																
		20	47	45	43	39	36	32	28	21	10																		
		30	45	42	39	35	32	27	19																				
		40	42	38	35	31	26	18																					
		50	38	34	30	25	16																						
		60	34	29	24	15																							
Shut-off PSI			97	88	79	71	62	53	45	36	27	19	10																
35GS20	2	0			50	48	46	44	42	39	37	34	30	26	20	12													
		20	49	47	45	43	41	38	36	33	29	24	17																
		30	47	45	43	40	38	35	32	28	23	16																	
		40	44	42	40	38	35	32	27	22	15																		
		50	42	40	37	34	31	27	21	14																			
		60	39	37	34	30	26	20	12																				
Shut-off PSI			123	114	105	97	88	79	71	62	53	45	36	27	19	10													
35GS30	3	0				50	48	47	45	44	42	41	39	38	36	34	31	28	25	21	16	10							
		20		49	48	46	45	43	42	40	39	37	35	33	30	27	24	19	14										
		30	49	47	46	45	43	42	40	39	37	35	33	30	27	23	18	13											
		40	47	46	44	43	41	40	38	37	35	32	30	26	22	18	12												
		50	46	44	43	41	40	38	36	34	32	29	26	22	17	11													
		60	44	42	41	39	38	36	34	31	29	25	21	16	10														
Shut-off PSI			176	168	159	150	142	133	124	116	107	98	90	81	72	64	55	46	38	29	20	12							

Horsepower Range 5-10, Recommended Range 10 - 50 GPM, 60 Hz, 3450 RPM

Pump Model	HP	PSI	Depth to Water in Feet/Ratings in GPM (Gallons per Minute)																										
			50	100	150	200	250	300	350	400	450	500	550	600	650	700	750	800	850	900	950	1000	1050	1100	1150	1200	1250	1300	1350
35GS50	5	0				50	48	46	43	41	38	35	31	26	19	11													
		20		50	48	46	44	41	38	35	31	26	20	12															
		30		49	47	45	42	40	37	33	29	24	16																
		40	50	48	46	44	41	38	35	31	27	20	12																
		50	49	47	45	43	40	37	34	29	24	17																	
				48	46	44	41	39	35	32	27	21	13																
Shut-off PSI			280	259	237	215	194	172	150	129	107	85	64	42															
35GS75	7½	0					50	48	47	46	44	43	41	39	37	35	33	30	27	24	19	14							
		20				50	49	47	46	44	43	41	39	37	35	33	31	28	24	20	14								
		30			50	49	48	47	45	44	42	40	38	37	34	32	29	26	22	17	12								
		40			50	49	47	46	44	43	41	39	38	36	33	31	28	24	20	15									
		50		50	49	48	47	45	44	42	40	39	37	35	32	30	26	22	18	12									
				50	49	47	46	45	43	41	40	38	36	34	31	28	25	20	15										
Shut-off PSI			453	431	410	388	366	345	323	301	280	258	236	215	193	171	150	128	106	85	63	42							
35GS100	10	0							49	48	47	46	45	44	42	41	40	38	37	35	33	31	29	26	24	20	16	11	
		20							49	48	47	46	45	44	42	41	40	38	37	35	33	31	29	27	24	20	16	12	
		30							49	48	47	45	44	43	42	40	39	38	36	34	32	30	28	25	22	19	14		
		40						49	48	47	46	45	44	43	41	40	38	37	35	34	32	29	27	24	21	17	12		
		50						49	48	47	46	44	43	42	41	39	38	36	34	33	31	28	26	23	19	15	10		
							49	48	47	46	45	44	43	41	40	39	37	35	34	32	30	27	24	21	17	13			
Shut-off PSI			583	561	540	518	496	475	453	431	410	388	366	345	323	302	280	258	237	215	193	172	150	128	107	85	63	42	

MODEL 45GS

SELECTION CHART

Horsepower Range 1½ - 5, Recommended Range 20 - 65 GPM, 60 Hz, 3450 RPM

Pump Model	HP	PSI	Depth to Water in Feet/Ratings in GPM (Gallons per Minute)																									
			20	40	60	80	100	120	140	160	180	200	220	240	260	280	300	320	340	360	380	400	440	480	520	560	600	640
45GS15	1½	0	64	61	57	52	46	37	23																			
		20	55	50	44	34																						
		30	49	43	32																							
		40	41	30																								
		50	27																									
		60																										
Shut-off PSI			61	52	44	35	26	18	9																			
45GS20	2	0		62	60	57	53	49	45	40	32																	
		20	59	56	52	48	43	38	28																			
		30	55	51	47	43	36	26																				
		40	51	47	42	35	25																					
		50	46	41	34	22																						
		60	40	37	29																							
Shut-off PSI			88	80	71	63	54	45	37	28	19																	
45GS30	3	0		65	62	60	59	56	53	50	47	45	41	37	30	21												
		20	62	60	58	55	52	49	47	44	40	35	28															
		30	60	58	55	52	49	46	43	39	34	26																
		40	57	54	51	49	46	42	38	33	25																	
		50	54	51	48	45	42	38	32	23																		
		60	51	48	45	41	37	31	22																			
Shut-off PSI			130	121	113	104	95	87	78	69	61	52	43	35	26	17												
45GS50	5	0				65	63	62	61	60	59	58	56	55	53	51	50	48	46	44	42	39	32	22				
		20		64	63	61	60	59	58	57	56	54	53	51	49	47	46	43	41	38	35	31	20					
		30	64	62	61	60	59	58	57	55	54	52	51	49	47	45	43	41	38	34	30	25						
		40	62	61	60	59	58	57	55	54	52	50	49	47	45	43	40	37	33	29	24							
		50	61	60	59	58	56	55	53	52	50	48	47	45	42	40	37	33	28	23								
		60	60	59	58	56	55	53	52	50	48	46	44	42	39	36	32	28	22									
Shut-off PSI			228	220	211	202	194	185	176	168	159	150	142	133	124	116	107	98	90	81	72	64	46	29				

Horsepower Range 7½ - 10, Recommended Range 20-65 GPM, 3450 RPM

Pump Model	HP	PSI	Depth to Water in Feet/Ratings in GPM (Gallons per Minute)																								
			40	80	120	160	200	240	280	320	360	400	440	480	520	560	600	640	680	720	760	800	840	880	920	960	1000
45GS75	7½	0					63	62	60	58	56	53	51	48	46	43	39	34	28	21							
		20				63	61	60	57	55	53	50	48	45	42	38	33	27	19								
		30			64	62	60	58	56	54	51	49	46	43	40	35	30	23									
		40		65	63	61	59	57	55	52	50	47	45	41	37	32	26										
		50		64	62	60	58	56	54	51	49	46	43	39	35	29	21										
		60	65	63	61	59	57	55	52	50	47	44	41	37	31	25											
Shut-off PSI			332	315	298	280	263	246	228	211	194	177	159	142	125	107	90	73	55	38							
45GS100	10	0				65	64	63	61	60	58	57	55	54	53	51	50	48	46	44	42	39	36	32	28	23	
		20			65	64	63	61	60	58	57	55	54	52	51	49	48	46	44	42	39	36	32	27	22		
		30		65	64	63	62	60	59	57	56	54	53	52	50	49	47	45	43	40	37	33	29	24			
		40		65	64	62	61	60	58	56	55	54	52	51	49	48	46	44	41	38	35	31	26	21			
		50	65	64	63	62	60	59	57	56	54	53	51	50	48	47	45	42	40	36	33	28	23				
		60	65	64	62	61	59	58	56	55	53	52	50	49	47	45	43	41	38	34	30	26	20				
Shut-off PSI			456	439	422	404	387	370	353	335	318	301	283	266	249	231	214	197	179	162	145	127	110	93	75	58	

MODEL 65GS

SELECTION CHART

Horsepower Range 1½ - 5, Recommended Range 30 - 80 GPM, 60 Hz, 3450 RPM

Pump Model	HP	PSI	Depth to Water in Feet/Ratings in GPM (Gallons per Minute)																							
			20	40	60	80	100	120	140	160	180	200	220	240	260	280	300	320	340	360	380	400	440	480		
65GS15	1½	0		78	70	61	51	36																		
		20	68	58	47	30																				
		30	57	45																						
		40	42																							
		50																								
		60																								
Shut-off PSI			55	46	38	29	20	12																		
65GS20	2	0		81	74	67	59	48	35																	
		20	72	64	56	45	30																			
		30	63	54	43																					
		40	53	41																						
		50	39																							
		60																								
Shut-off PSI			65	56	48	39	30	22	13																	
65GS30	3	0			81	76	71	66	59	53	45	35														
		20	80	75	69	64	57	51	42	32																
		30	74	69	63	56	49	41	30																	
		40	68	62	55	48	39																			
		50	61	54	47	38																				
		60	53	46	36																					
Shut-off PSI			96	87	79	70	61	53	44	35	27	18														
65GS50	5	0						80	77	73	70	67	63	59	55	50	45	39	32							
		20					79	76	72	69	66	62	58	54	49	44	37	30								
		30				78	75	72	69	65	61	57	53	48	43	36										
		40		78	75	71	68	64	61	57	52	47	42	35												
		50	77	74	71	67	64	60	56	52	47	41	34													
		60	74	70	67	63	59	55	51	46	40	33														
Shut-off PSI			164	155	147	138	129	121	112	103	95	86	77	69	60	51	43	34	26							

Horsepower Range 7½ - 10, Recommended Range 30 - 80 GPM, 60 Hz, 3450 RPM

Pump Model	HP	PSI	Depth to Water in Feet/Ratings in GPM (Gallons per Minute)																							
			40	80	120	160	200	240	280	320	360	400	440	480	520	560	600	640	680	720	760	800	840	880		
65GS75	7½	0						78	74	70	66	61	56	50	44	35										
		20					80	77	73	69	65	60	55	50	42	33										
		30					79	75	71	67	62	57	52	46	38											
		40				80	77	73	69	64	60	54	49	41	32											
		50				78	75	70	66	62	57	51	45	36												
		60		79	76	72	68	64	59	54	48	40	30													
Shut-off PSI			268	251	233	216	199	181	164	147	129	112	95	77	60	43										
65GS100	10	0						80	78	75	72	69	66	62	58	54	50	45	39	31						
		20					80	78	75	72	69	65	62	58	54	49	44	37	30							
		30					79	76	73	70	67	63	59	55	51	46	40	33								
		40				80	77	74	71	68	65	61	57	53	48	43	36									
		50				78	76	73	69	66	63	59	55	50	45	39	32									
		60				79	77	74	71	68	64	60	57	52	48	42	35									
Shut-off PSI			339	322	305	288	270	253	236	218	201	184	166	149	132	114	97	80	62	45						

MODEL 85GS

SELECTION CHART

Horsepower Range 3 - 10, Recommended Range 40 - 120 GPM, 60 Hz, 3450 RPM

Pump Model	HP	PSI	Depth to Water in Feet/Ratings in GPM (Gallons per Minute)																								
			20	40	60	80	100	120	140	160	180	200	220	240	260	280	300	320	340	360	380	400	440	480	520		
85GS30	3	0		112	103	92	79	64	48																		
		20	100	88	74	59	42																				
		30	86	72	57	39																					
		40	70	54																							
		50	52																								
		60																									
Shut-off PSI			66	58	49	40	32																				
85GS50	5	0				114	109	103	97	90	83	74	66	57	47												
		20	119	113	107	101	95	88	80	72	63	54	43														
		30	112	106	101	94	87	79	70	62	52	41															
		40	105	100	93	85	77	69	60	51	40																
		50	99	92	84	76	68	59	49																		
		60	91	83	75	66	58	48																			
Shut-off PSI			128	119	111	102	93	85	76	67	59	50	41	33	24												
85GS75	7½	0					119	115	111	108	104	100	95	91	86	81	76	71	65	59	52						
		20				118	114	110	106	102	98	94	89	84	80	74	69	63	57	50	41						
		30				117	113	110	106	102	98	93	88	84	79	74	68	62	56	48	40						
		40	120	116	113	109	105	101	97	92	88	83	78	73	67	61	55	47									
		50	116	112	109	105	101	96	92	87	82	77	72	66	60	54	46										
		60	112	108	104	100	95	91	86	81	76	71	66	59	53	45											
Shut-off PSI			203	194	185	177	168	159	151	142	133	125	116	107	99	90	81	73	64	55	47	38					
85GS100	10	0								119	116	114	111	108	104	101	97	94	90	87	83	79	71	62	52		
		20								118	116	113	110	107	103	100	96	93	89	85	82	78	74	70	61	50	
		30					120	118	115	112	109	106	103	99	96	92	89	85	81	77	73	69	65	55	42		
		40				120	117	115	112	109	106	102	99	95	92	88	84	81	77	73	68	64	59	48			
		50		120	117	114	111	108	105	102	98	95	91	87	84	80	76	72	68	63	58	53	40				
		60	119	117	114	111	108	105	101	98	94	91	87	83	79	75	71	67	63	58	52	46					
Shut-off PSI			265	257	248	239	231	222	213	205	196	188	179	170	162	153	144	136	127	118	110	101	84	66	49		

NOTES

Xylem |'zīləm|

- 1) The tissue in plants that brings water upward from the roots;
- 2) a leading global water technology company.

We're a global team unified in a common purpose: creating advanced technology solutions to the world's water challenges. Developing new technologies that will improve the way water is used, conserved, and re-used in the future is central to our work. Our products and services move, treat, analyze, monitor and return water to the environment, in public utility, industrial, residential and commercial building services settings. Xylem also provides a leading portfolio of smart metering, network technologies and advanced analytics solutions for water, electric and gas utilities. In more than 150 countries, we have strong, long-standing relationships with customers who know us for our powerful combination of leading product brands and applications expertise with a strong focus on developing comprehensive, sustainable solutions.

For more information on how Xylem can help you, go to www.xylem.com



Xylem Inc.
2881 East Bayard Street Ext., Suite A
Seneca Falls, NY 13148
Phone: (866) 325-4210
Fax: (888) 322-5877
www.xylem.com/goulds

Goulds is a registered trademark of Goulds Pumps, Inc. and is used under license.
CentriPro is a trademark of Xylem Inc. or one of its subsidiaries.

© 2021 Xylem Inc. B35-85GS R3 March 2021