

## Features

- The glass shade detail is reminiscent of vintage holophane glass.
- A perfect piece for any farmhouse- or industrial-style space — kitchen, master bathroom, guest bathroom, hallway, or mudroom.
- Medium base (E26) socket, works best with type A or G light bulbs (sold separately).
- Suitable for damp locations, per UL 1598.

## Material

- Manufactured with quality materials and complemented with a meticulous finishing process.
- Durable finishes engineered to last and designed to coordinate with KOHLER faucet finishes.



## Codes/Standards

UL 1598  
CSA C22.2 No. 250

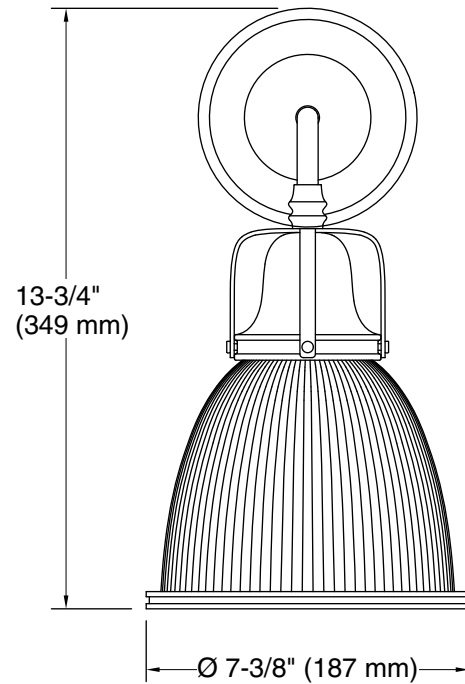
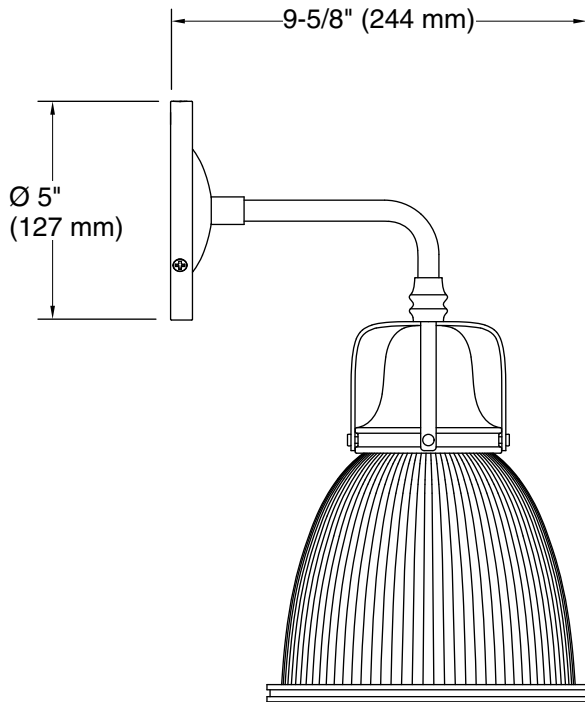
## KOHLER® Indoor Lighting Fixtures Limited Warranty

See website for detailed warranty information.

## Available Colors/Finishes

*Color tiles intended for reference only.*

| Color                                                                               | Code | Description           |
|-------------------------------------------------------------------------------------|------|-----------------------|
|  | SNL  | Polished Nickel       |
|  | BNL  | Brushed Nickel        |
|  | CPL  | Polished Chrome       |
|  | BLL  | Matte Black           |
|  | 2GL  | Brushed Moderne Brass |



### Required Electrical Service

One dedicated circuit required.

Lights: 120 V, 12 A, 60 Hz

### Technical Information

All product dimensions are nominal.

Material: Steel, Aluminum, Glass

Number of Lights: 1

Lighting Type: Socket-based

Socket Type: E-26 Medium

Number of Shades: 1

Shade Type: Glass - frosted

Electrical component Socket Rating: 60 Hz, 100 W  
rating: