



Buy it for looks. Buy it for life.®

# Specifications

## DESCRIPTION

- Metal Construction with chrome plated finish
- Pressure balancing cycle valve design with an adjustable temperature limit stop
- 1/2" CC connections with 1/4 turn stops
- Includes showerhead, arm, flange and diverter tub spout

## OPERATION

- Lever style Handle
- Handle operates counterclockwise through a 270° arc with off at 6 o'clock and maximum hot at the 9 o'clock position. Shut off in clockwise direction
- Adjustable temperature limit stop to control maximum hot water temperature
- Pressure balancing mechanism maintains selected discharge temperature to ± 3°


## FLOW

- Showerhead is limited to 1.75 gpm (6.6 L/min) Max

## CARTRIDGE

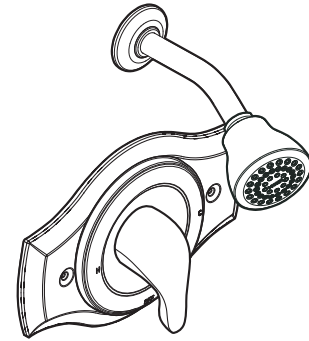
- 1222 cartridge design
- Nonmetallic/nonferrous and stainless steel materials
- Accommodates back to back installations

## STANDARDS

- Third party certified to ASME A112.18.1/CSA B-125.1 and all applicable requirements referenced therein including NSF 61/9
- **ADA**  for lever handle

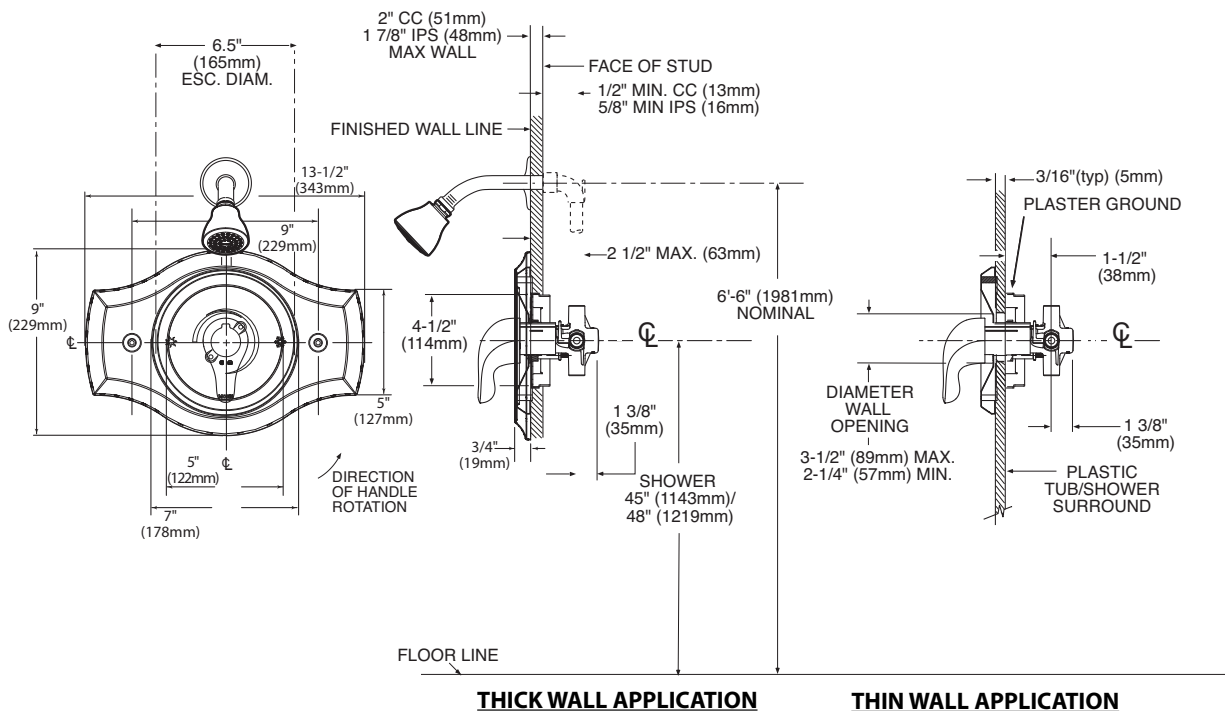
## WARRANTY

- Lifetime limited warranty against leaks, drips and finish defects to the original consumer purchaser
- 5 year warranty if used in commercial installations



## CHATEAU® POSI-TEMP® Single-Handle Shower Valve with 1/4 turn stops and cover plate

Model: L2366EP





Buy it for looks. Buy it for life.®

# Specifications

## DESCRIPTION

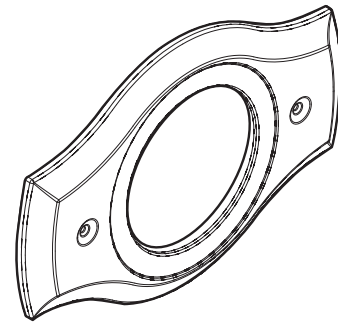
- Brass construction various finishes identified by suffix
- Designed to allow replacement of a 2 or 3 handle tub/shower valve.
- Installation requires a minimum clearance of 6" between horizontal  $\mathcal{C}$  (critical level) and spout outlet  $\mathcal{C}$ .
- Fits all 1 handle tub/showers with 7" escutcheon

## STANDARDS

- Designed and manufactured to comply with the requirements of: CSA B125 and ASME A112.18.1M and all requirements referenced therein

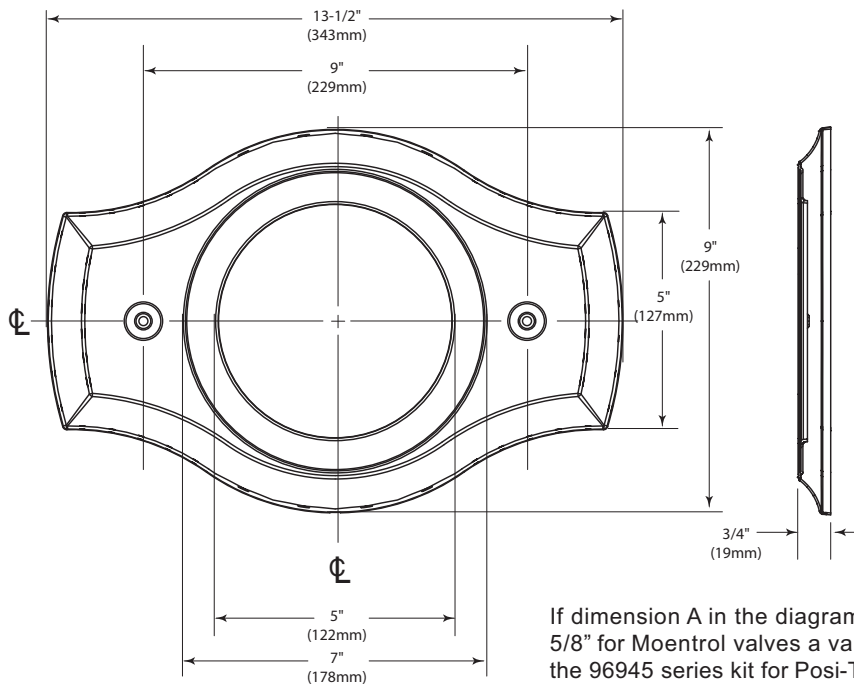
## WARRANTY

- Warranted for one year against material or manufacturing defects

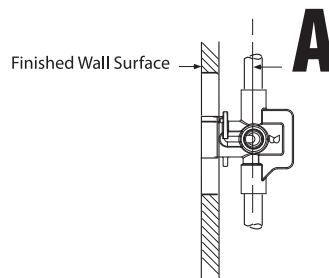


**Tub/Shower Cover Plate**

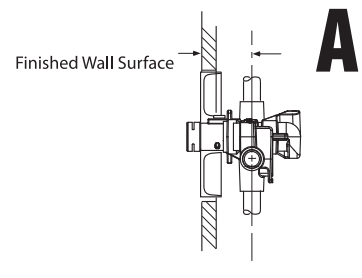
<u>MODEL</u>	<u>FINISH</u>
<b>1920</b>	<b>Chrome</b>
<b>1920P</b>	<b>Polished Brass</b>
<b>1920BN</b>	<b>Brushed Nickel</b>
<b>1920ORB</b>	<b>Oil Rubbed Bronze</b>



If dimension A in the diagrams below exceeds 2" for Posi-Temp valves or 1-5/8" for Moentrol valves a valve extension kit will be required. Please order the 96945 series kit for Posi-Temp valves and the 137347 series kits for Moentrol valves (must designate finish)



**Posi-Temp Valve**



**Moentrol Valve**

## CRITICAL DIMENSIONS

(DO NOT SCALE)