

### Features

- Globular glass shades are gracefully suspended from curved metal bases in artist-inspired arrangements.
- A great piece for any space — especially in a hallway, mudroom, bedroom, closet, or bathroom.
- Requires one bulb with medium (E26) base; T10 bulb recommended (sold separately).
- Suitable for damp locations, per UL 1598.
- Includes installation hardware.

### Material

- Manufactured with quality materials and complemented with a meticulous finishing process.
- Durable finishes engineered to last and designed to coordinate with KOHLER faucet finishes.



### Codes/Standards




UL 1598  
CSA C22.2 No. 250.0

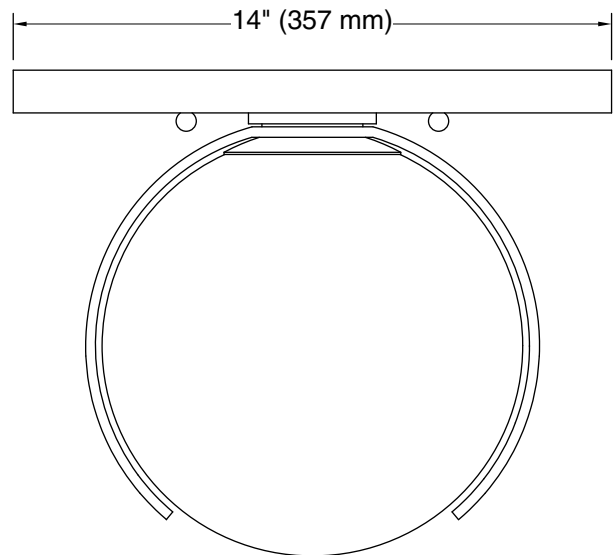
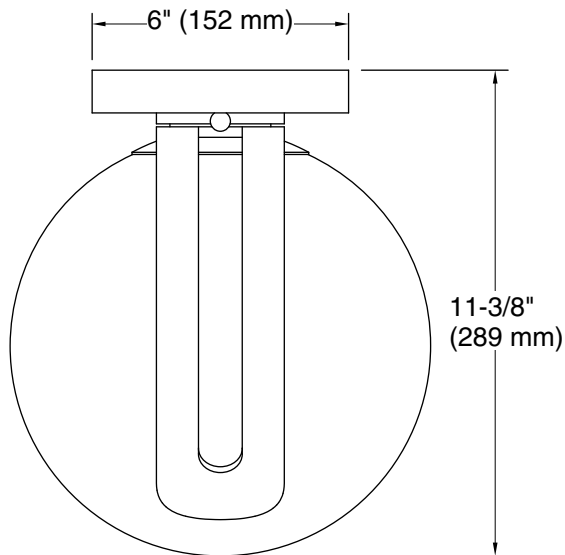
### KOHLER® Indoor Lighting Fixtures Limited Warranty

See website for detailed warranty information.

### Available Colors/Finishes

*Color tiles intended for reference only.*

Color	Code	Description
	CPL	Polished Chrome
	BLL	Matte Black
	2PL	Polished Brass



## Required Electrical Service

One circuit required.

120 V, 60 Hz

## Technical Information

All product dimensions are nominal.

Installation Type:	Flush-mount
Material:	Steel, Aluminum, Glass
Number of Lights:	1
Lighting Type:	Socket-based
Socket Type:	E-26 Medium
Number of Shades:	1
Shade Type:	Glass - frosted