

SRD-5 Snow/Rain Diverter



Job Name:

System Reference:

Date:



FEATURES

- Protects outdoor unit from harsh winter elements such as rooftop snow melt or freezing rain that may drip on outdoor unit and could potentially refreeze locking up fan motor by diverting these elements away from outdoor unit.
- Product is Aluminum which makes it rust resistant especially important near coastal applications.
- Durable and easy installation.
- Can be used if have double stacking outdoor unit application, so that will divert condensation from mounted top outdoor unit away from bottom mounted outdoor unit.

SPECIFICATIONS

Color	Surface Treatment	Material	Weight
Matches Outdoor Unit (Ivory Munsell 3Y 7.8/1.1)	Polyester Powder Coating	16ga 5052-H32 Aluminum Alloy sheet	5.0 lbs

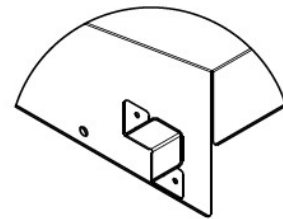
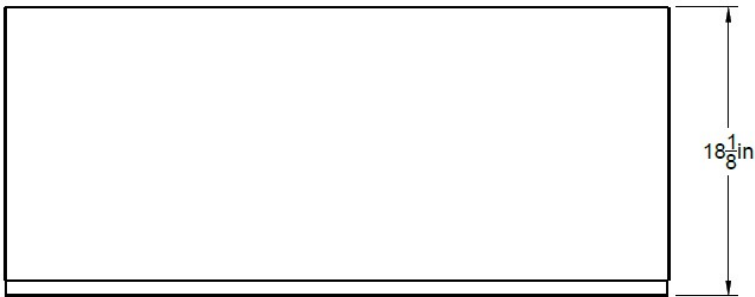
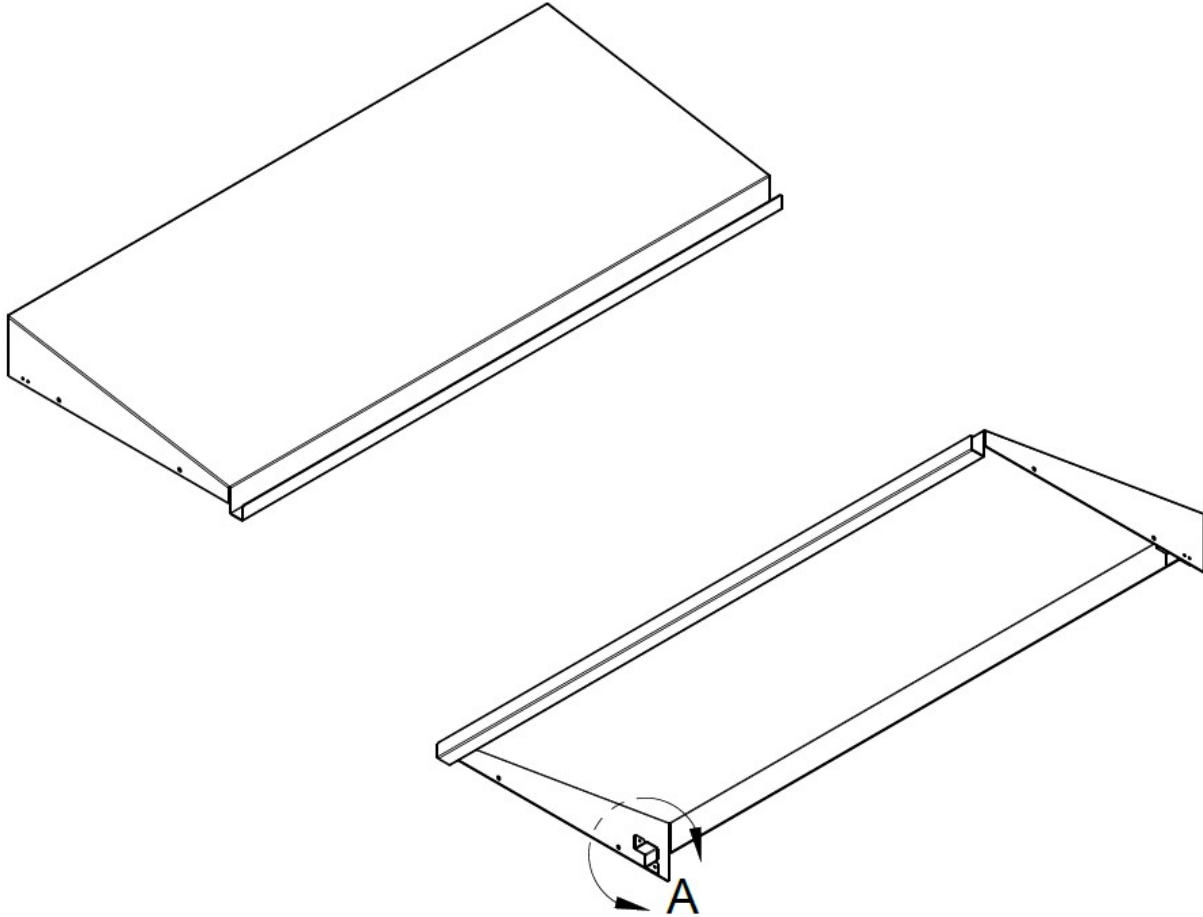
NOTES

- Use the locating tabs on the inside of the SRD to position the SRD correctly onto the top panel of the outdoor unit.
- Properly attach the SRDs to the outdoor unit by using self-tapping screws provided only. Please see included install manual.

SRD-5 Snow/Rain Diverter



DIMENSIONS



DETAIL A
LOCATING TAB

