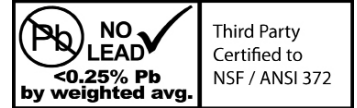


SSBV304 SERIES 304 STAINLESS STEEL BALL VALVE (THREADED)

APPLICATION:

- For water well, plumbing, irrigation and other light duty applications.
Not to be used in steam, chemical or industrial applications.



SPECIFICATION:

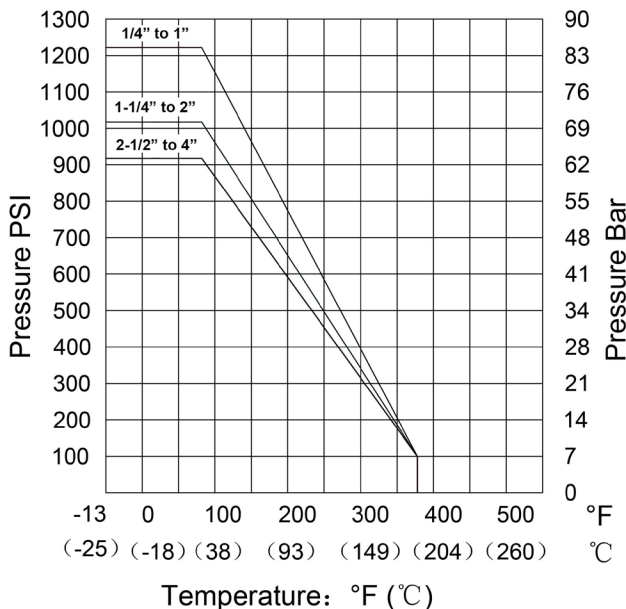
- Threads conform to ANSI/ASME B1.20.1
- Max Pressure Rating: 1000 PSI CWP
- CWP - Cold Working pressure, is an indication of the pressure rating for valves at a temperature range of up to +100°F (37°C)
- Max Temperature Rating: 248°F (120°C)
- Full port design
- Two piece investment cast body
- Blow-out proof stem
- Solid Stainless Steel Ball - sizes 1/4" through 1-1/4"
- Hollow Stainless Steel Ball - sizes 1-1/2" through 4"
- PTFE seats / PTFE stem packing
- Stainless steel handle with blue plastic sleeve



CERTIFICATION:

- NSF/ANSI Standard 372 Certified

PRESSURE & TEMPERATURE RATINGS



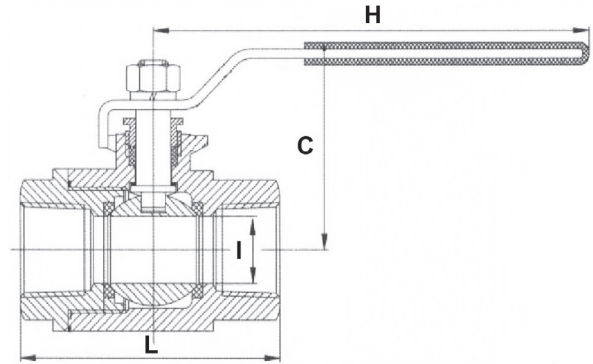
BOSHART
INDUSTRIES

25 Whaley Avenue, PO Box 310, Milverton, ON CANADA N0K 1M0
Tel: 800-561-3164

boshart.com ♦ blog.boshart.com

SSBV304 SERIES 304 STAINLESS STEEL BALL VALVE (THREADED)

MATERIAL LIST	
Part Name	Material
Body	CF8 304 Stainless Steel
Cap	CF8 304 Stainless Steel
Ball	CF8 304 Stainless Steel
Stem	304 Stainless Steel
Seat	PTFE
Gasket	PTFE
Washer	PTFE
Stem Packing	PTFE
Gland Nut	304 Stainless Steel
Lock Washer	304 Stainless Steel
Nut	304 Stainless Steel
Handle	304 Stainless Steel



DIMENSIONS										
Part No.	Description	I		H		L		C		Weight grams
		inches	mm	inches	mm	inches	mm	inches	mm	
SSBV304-02	1/4" FxF	0.43	11.00	4.05	103.00	2.00	51.00	2.00	51.00	190
SSBV304-03	3/8" FxF	0.49	12.50	4.05	103.00	2.00	51.00	2.00	51.00	190
SSBV304-05	1/2" FxF	0.59	15.00	4.05	103.00	2.48	63.00	2.08	53.00	230
SSBV304-07	3/4" FxF	0.78	20.00	4.96	126.00	2.91	74.00	2.55	65.00	340
SSBV304-10	1" FxF	0.98	25.00	5.66	144.00	3.38	86.00	3.03	77.00	530
SSBV304-12	1-1/4" FxF	1.26	32.00	5.66	144.00	3.85	98.00	3.22	82.00	900
SSBV304-15	1-1/2" FxF	1.49	38.00	7.44	189.00	4.17	106.00	3.66	93.00	1200
SSBV304-20	2" FxF	1.96	50.00	7.44	189.00	4.80	122.00	3.93	100.00	1730
SSBV304-25	2-1/2" FxF	2.55	65.00	8.81	224.00	6.26	159.00	4.64	118.00	3830
SSBV304-30	3" FxF	2.99	76.00	8.81	224.00	7.16	182.00	5.07	129.00	5740
SSBV304-40	4" FxF	3.70	94.00	11.61	295.00	8.89	226.00	6.53	166.00	10700

BOSHART
INDUSTRIES

25 Whaley Avenue, PO Box 310, Milverton, ON CANADA N0K 1M0
Tel: 800-561-3164

boshart.com ♦ blog.boshart.com