

Single Pantry Faucet

TECK[®]
COMMERCIAL

DELTA[®]

Specification: (example)

- **CAST BRASS** single pantry faucet
 - Polished chrome plated spout and trim
 - **CER-TECK[®]** 1/4 turn ceramic structure
 - Metal hold-down package
 - ADA compliant color indexed vandal resistant, 70mm (2 3/4") metal lever blade handle
- and ... with ... (add spout required)
with ... (add outlet required)
with ... (add handle required)

27C643



Engineer/Architect Approval










Model Specified:

Approval:

Date:

DESCRIPTION	PRODUCT NO.		
Single Pantry Faucet	27C		



SPOUT	OUTLET	HANDLE
0 <input type="checkbox"/>	0 <input type="checkbox"/>	0 <input type="checkbox"/>
1 <input type="checkbox"/>	1 <input type="checkbox"/>	1 <input type="checkbox"/>
2 <input type="checkbox"/>	2 Vandal Resistant 1.5 USGPM (5.7 L/min.) Laminar w/Antimicrobial By Agion [®]  <input type="checkbox"/>	2 <input type="checkbox"/>
3 152mm (6") Tubular (S3) Swing Spout (2)  <input type="checkbox"/>	3 Vandal Resistant 1.5 USGPM (5.7 L/min.) Flow Control Aerator  <input type="checkbox"/>	3 70mm (2-3/4") Lever Blade Handle  <input type="checkbox"/>
4 <input type="checkbox"/>	4 Standard 1.5 USGPM (5.7 L/min.) Flow Control Aerator  <input type="checkbox"/>	4 <input type="checkbox"/>
5 <input type="checkbox"/>	5 Vandal Resistant 0.5 USGPM (1.9 L/min) Flow Control Non-Aerating Spray Outlet  <input type="checkbox"/>	5 <input type="checkbox"/>
6 114mm (4.5") Rigid/Swivel (R2) Gooseneck Spout (1)  <input type="checkbox"/>	6 <input type="checkbox"/>	6 <input type="checkbox"/>
7 <input type="checkbox"/>	7 Smooth End, Laminar Flow Control in Base of Gooseneck Spout 1.1 USGPM (4.2 L/min.) (3)  <input type="checkbox"/>	7 <input type="checkbox"/>
8 <input type="checkbox"/>	8 <input type="checkbox"/>	8 70mm (2-3/4") Self-closing Lever Blade Handle  <input type="checkbox"/>
9 <input type="checkbox"/>	9 <input type="checkbox"/>	9 <input type="checkbox"/>

(1) Available **Optional Rigid/Swivel Spouts**. These spouts can ONLY be added to **SPOUT Option No. 6**.

(2) Available **Optional Swing Spouts**. These spouts can ONLY be added to **SPOUT Option No. 3**.

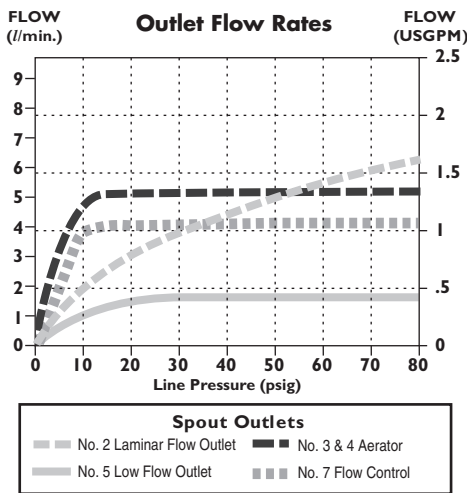
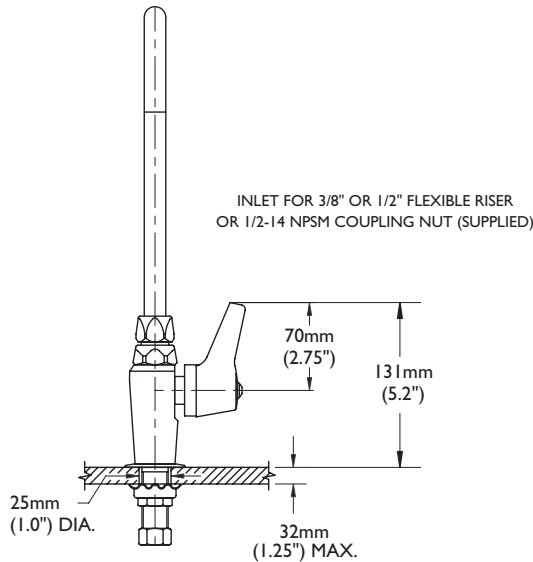
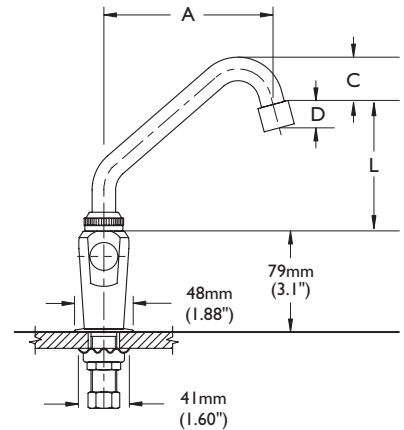
(3) This outlet can ONLY be added to **SPOUT No. 3**.

Delta reserves the right (1) to make changes in specifications and materials, and (2) to change or discontinue models, both without notice or obligation. Dimensions are for reference only. See current full-line price book or www.specselect.com for finish options and product availability.

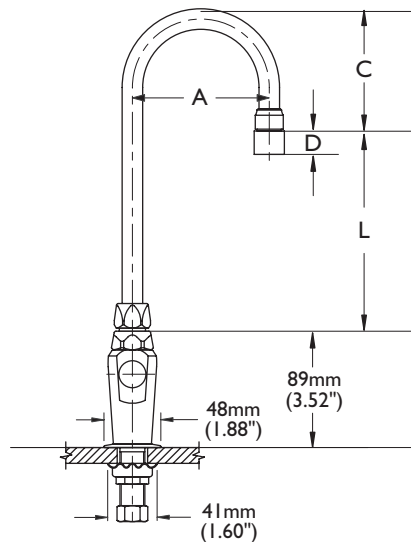
Flow Rates are at 60 PSI
Refer to www.specselect.com for individual models.
Note: Use this page front and back as a product submittal sheet.

Approvals:

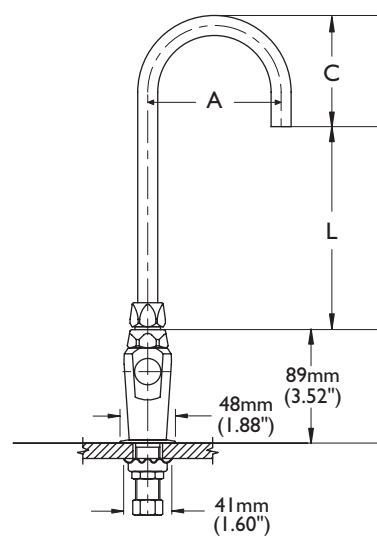
- CSA certified
 - Complies to ASME A112.18.1
 - Lever Blade Handle No. 3
 ADA Compliant and meets Handicapped Accessibility Standard ASME A117.1 of less than 5 lbs. operating force.
 - Verified compliant with .25% weighted average Pb content regulations
- (Contact Delta Representative for State and/or Local Approvals.)

FLOW RATE vs PRESSURE

FRONT VIEW

SWING SPOUTS

GOOSENECK SPOUTS

Outlets #2, 3, 4, 5



Outlet #7


FOR OPTIONAL RIGID/SWIVEL SPOUTS

See DSP-R/S for detailed specification
 (Found in the "Add-On Option" section when using the printed spec binder)

FOR OPTIONAL SWING SPOUTS

See DSP-S/S for detailed specification
 (Found in the "Add-On Option" section when using the printed spec binder)

INLETS - 1/2" MIP/Coupling Nuts

Note: Measurements may vary \pm 6mm (0.25")

GOOSENECK SPOUT ASSEMBLIES

SPOUT/OUTLET	"A"		"C"		"L"	
	mm	in.	mm	in.	mm	in.
Gooseneck-Standard (R2) for outlets #2, 3, 4, 5	114	4.5	104	4.1	170	6.7
Gooseneck-Standard (R2) for outlet #7	114	4.5	97	3.8	178	7.0

SWING SPOUT ASSEMBLIES

SPOUT NO.	SPOUT TYPE	"A"		"C"		"L"	
		mm	in.	mm	in.	mm	in.
3	6" Tubular Spout (S3)	140	5.5	38	1.5	107	4.2