



# Persuade® Curv Comfort Height®

two-piece elongated dual-flush toilet  
K-75790

## Features

- Two-piece design.
- Elongated bowl offers added room and comfort.
- Comfort Height® feature offers chair-height seating that makes sitting down and standing up easier for most adults.
- Left-hand nested trip lever offers a choice of 1.0 or 1.6 gallons per flush (gpf).
- Skirted trapway simplifies cleaning.
- Combination consists of the K-4326 bowl and the K-19042 tank.
- Patented ReadyLock™ installation system, a simple solution for skirted toilets, saves time, hassle, and eliminates the need to drill into the floor for standard 12" (305 mm) rough-in.
- Standard 12" (305 mm) rough-in only. Cannot be combined with K-5383, or K-5381 for use in 10" or 14" installations.



## Technology

- Dual-flush technology allows you to choose between a full or partial flush.

## Installation

- Standard 12" (305 mm) rough-in.
- Seat sold separately.

## Water Conservation & Rebates

- Eligible for consumer rebates in some municipalities.
- This product can help a building earn Water Efficiency points in LEED® Green Building Rating System.

## Recommended Products/Accessories

- K-5588 Purefresh® Elongated Toilet Seat
- K-4008 Reveal® Quiet-Close™ Elongated Toilet Seat
- K-4636 Cachet® Quiet-Close™ Elongated Toilet Seat
- K-9237 Dual-flush Trip Lever
- 1265114 Connector Hose
- K-23726 Drain treatment

## Included Components

Product consists of:

- K-4326 Elongated chair height toilet bowl
- K-19042 Toilet tank, dual-flush

Additional Components:

- Hardware kit
- Left-hand dual flush trip lever
- ReadyLock™ installation system
- Tank cover

ADA CSA B651 OBC

## Codes/Standards

- ASME A112.19.14
- ASME A112.19.2/CSA B45.1
- DOE - Energy Policy Act 1992
- EPA WaterSense®
- California Energy Commission (CEC)
- ADA
- ICC/ANSI A117.1
- CSA B651
- OBC

## KOHLER® Toilets and Seats Limited Warranty

See website for detailed warranty information.

## Available Colors/Finishes

Color tiles intended for reference only.

| Color | Code | Description  |
|-------|------|--------------|
|       | 0    | White        |
|       | 96   | Biscuit      |
|       | NY   | Dune         |
|       | 95   | Ice™ Grey    |
|       | 7    | Black Black™ |

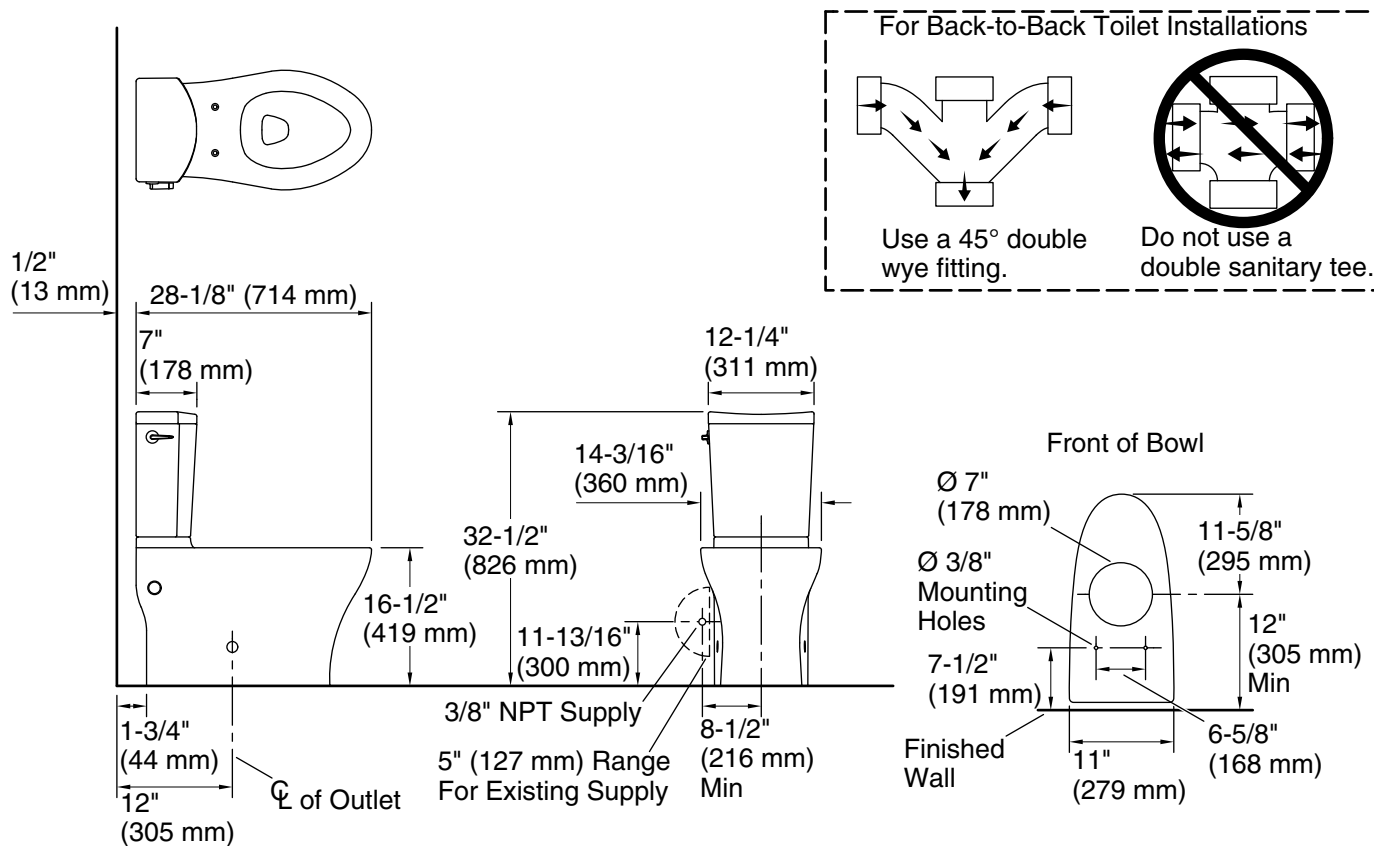
1-800-4KOHLER (1-800-456-4537)

Kohler Co. reserves the right to make revisions without notice to product specifications.

For the most current Specification Sheet, go to [www.kohler.com](http://www.kohler.com).

5-29-2021 07:58 - US/CA

THE BOLD LOOK  
OF **KOHLER**®



### Technical Information

All product dimensions are nominal.

|                       |                                   |
|-----------------------|-----------------------------------|
| Toilet type:          | Two-piece, Floor-mount            |
| Waste Outlet:         | Floor                             |
| Bowl shape:           | Elongated                         |
| Trap passageway:      | 2-5/16" (58 mm)                   |
| Water Consumption     |                                   |
| Full:                 | 1.6 gpf (6 lpf)                   |
| Reduced:              | 1 gpf (3.8 lpf)                   |
| Water surface size:   | 4-1/2" x 5-3/4" (114 mm x 146 mm) |
| Rim to water surface: | 8-1/2" (216 mm)                   |
| Rough-in:             | 12" (305 mm)                      |
| Seat-mounting holes:  | 5-1/2" (140 mm)                   |

### Notes

Install this product according to the installation instructions.

**IMPORTANT!** The rough-in must be 12" (305 mm) or more from the base of the wall or baseboard. Install or relocate the supply and outlet as necessary to conform to rough-in dimensions.

If this toilet is installed in new construction, install a new supply stop following the dimensions in the diagram.

In installations with the supply stop installed, the existing supply stop may need to be relocated if it is less than 8-1/2" (216 mm) from the centerline of the toilet. Dry fit the toilet to confirm if the supply stop needs to be relocated.

The supplied hose will extend roughly 6" (152 mm) from the toilet. If the supplied hose does not reach the supply stop, a longer supply hose may be used.

For back-to-back toilet installations: Use only a 45° double wye fitting.