

Features

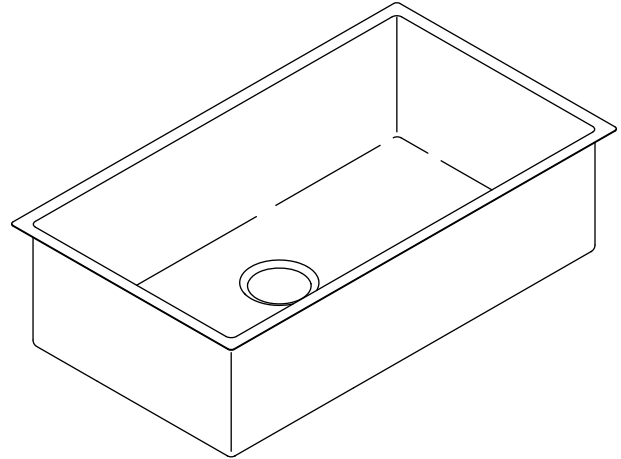
- 16-gauge stainless steel
- Under-mount
- Single bowl
- Squared bowl(s)
- Includes installation hardware
- Includes SilentShield® sound-absorption technology
- Includes sink bridge utility shelf with dish cloth bar and bottom bowl rack
- 32" (813 mm) x 18-1/4" (464 mm)

Codes/Standards Applicable

Specified model meets or exceeds the following:

- ASME A112.19.3/CSA B45.4

UNDER-MOUNT KITCHEN SINK K-5285



Colors/Finishes

- NA: None applicable

Accessories

- CP: Polished Chrome
- ST: Stainless Steel
- NA: None applicable
- Other: Refer to Price Book for additional colors/finishes

Specified Model

Model	Description	Colors/Finishes		
K-5285	Under-mount kitchen sink	<input type="checkbox"/> NA		
Included Accessories				
K-6429	Sink bridge utility shelf with dish cloth bar	<input type="checkbox"/> ST		
K-6644	Bottom bowl rack	<input type="checkbox"/> ST		
Optional Accessories				
K-6667	Wood cutting board – allow 3/4" (19 mm) clearance beyond the back of the bowl	<input type="checkbox"/> NA		
K-8801	Duostrainer® sink strainer		<input type="checkbox"/> CP	<input type="checkbox"/> Other_____

Product Specification

The under-mount kitchen sink shall be made of 16 gauge stainless steel. Sink shall be 32" (813 mm) in length and 18-1/4" (464 mm) in width. Sink shall feature single squared bowl and SilentShield sound-absorption technology. Sink shall include installation hardware, sink bridge utility shelf with dish cloth bar, and bottom bowl rack. Sink shall be Kohler Model K-5285-NA.

STRIVE™

Technical Information

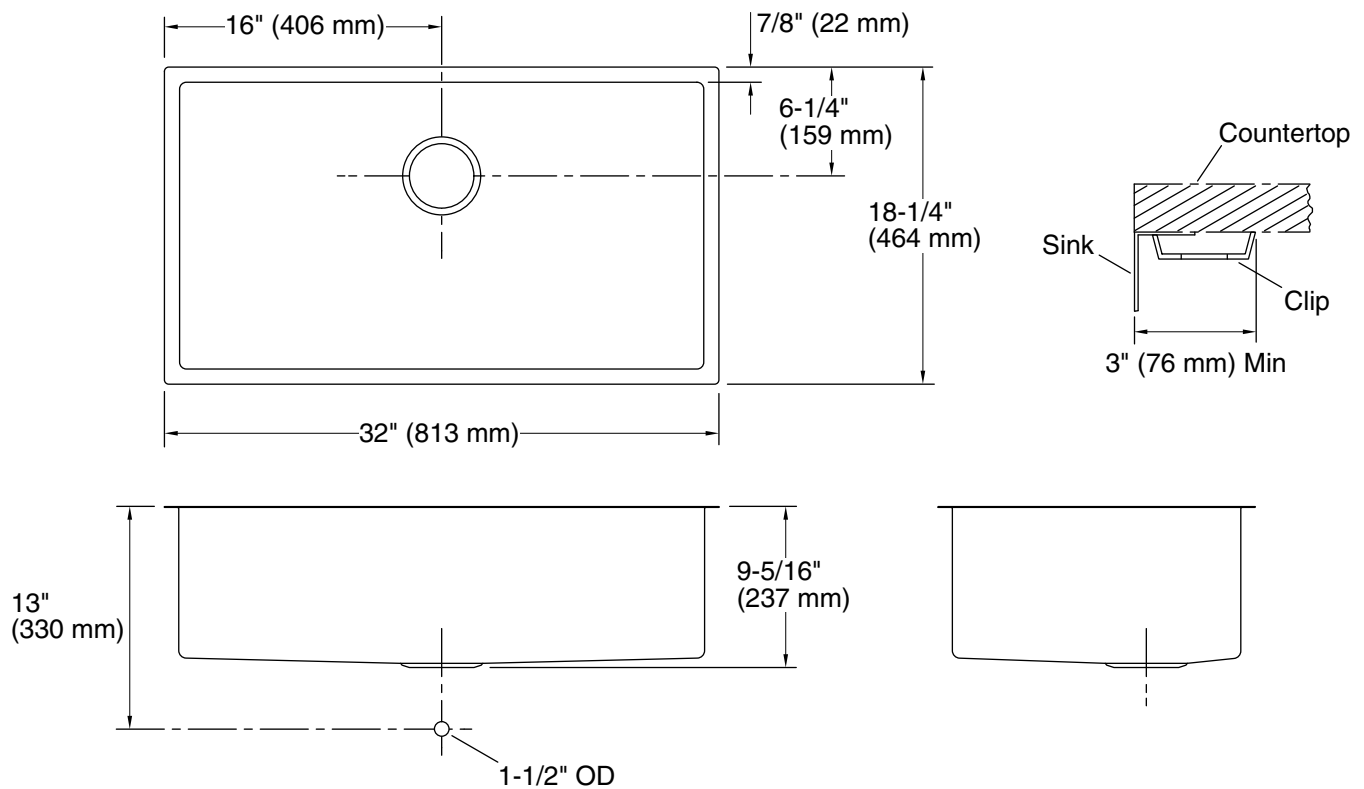
Fixture*:	
Bowl area	30-1/4" (768 mm) x 16-1/2" (419 mm)
Water depth	9" (229 mm)
Drain hole	Ø 3-11/16" (94 mm)
*Approximate measurements for comparison only.	

Included components:	
Hardware kit (3 required)	91915
Cut-out template	1207216-7

Installation Notes

Install this product according to the installation guide.

Allow a minimum of 3" (76 mm) clearance around the sink rim for clip attachment.



Product Diagram