

Job Name:

System Reference:

Date:

Indoor Unit:
MFZ-KJ18NA



Wireless Remote Controller



GENERAL FEATURES

- Floor-mounted indoor unit mounts on the floor or up to 5" above the floor
- Floor front panel access to the filter for ease of cleaning
- Perfect for difficult areas that may be smaller or don't have usable space on the walls
- Multiple fan speed options: Quiet, Low, Medium, High, Super-high, Auto
- Quiet operation
- Multi-flow vane for faster heating
- Multiple control options available:
 - Hand-held Remote Controller (provided with unit)
 - kumo cloud® smart device app for remote access
 - Third-party interface options
 - Wired or wireless controllers
- Unit can be recessed mounted into wall

SPECIFICATIONS: MFZ-KJ18NA

| | | | |
|---|-------------------------------------|----------------|-------------------------|
| Cooling Capacity ^{1, 3} | | BTU/H | 17,000 |
| Heating Capacity ^{2, 3} | | BTU/H | 21,000 |
| Electrical | Voltage, Phase, Frequency | | 208/230V, 1 phase, 60Hz |
| | Guaranteed Voltage Range | | V AC 187-253 |
| | Voltage: Indoor - Outdoor, S1-S2 | | V AC 208/230 |
| | Voltage: Indoor - Outdoor, S2-S3 | | V DC 24 |
| | Short-circuit Current Rating (SCCR) | | 5 |
| MCA | | A | 1 |
| Blower Motor Full Load Amperage | | A | 0.72 |
| Blower Motor Output | | W | 40 |
| Airflow Rate at Cooling, Dry | | CFM | 374-328-282-237-198 |
| Airflow Rate at Cooling, Wet | | CFM | 318-279-240-201-168 |
| Airflow Rate at Heating, Dry | | CFM | 470-325-290-254-212 |
| Sound Pressure Level (Cooling) | | dB(A) | 43-40-36-31-28 |
| Sound Pressure Level (Heating) | | dB(A) | 49-39-36-34-29 |
| External Static Pressure | | in.WG | N/A |
| Drain Pipe Size | | In. (mm) | 5/8 (15.88) |
| Condensate Lift Mechanism, Maximum Distance | | In. (mm) | N/A |
| Heat Exchanger Type | | Plate fin coil | |
| External Finish Color | | White | |
| Unit Dimensions | W: In. (mm) | | 29-17/32 (750) |
| | D: In. (mm) | | 8-15/32 (215) |
| | H: In. (mm) | | 23-5/8 (600) |
| Package Dimensions | W: In. (mm) | | 32-2/16 (816) |
| | D: In. (mm) | | 10-13/16 (275) |
| | H: In. (mm) | | 27-12/16 (693) |
| Unit Weight | | Lbs. (kg) | 33 (15) |
| Package Weight | | Lbs. (kg) | 41 (18.5) |
| Refrigerant | Type | | R410A |
| | Charge | Lbs, oz | 3, 5 |

Notes:

| | | | |
|--------------------|--|----|------------------------------|
| Nominal Conditions | ¹ Cooling (Indoor // Outdoor) | °F | 80 DB, 67 WB // 95 DB, 75 WB |
| | ² Heating at 47°F (Indoor // Outdoor) | °F | 70 DB, 60 WB // 47 DB, 43 WB |

³Capacity varies based on the number of indoor units operating and the model of the Multi-zone Outdoor Unit. For reference to connected capacity charts, please refer Multi-zone Outdoor Unit Operational Performance.

ACCESSORIES: MFZ-KJ18NA

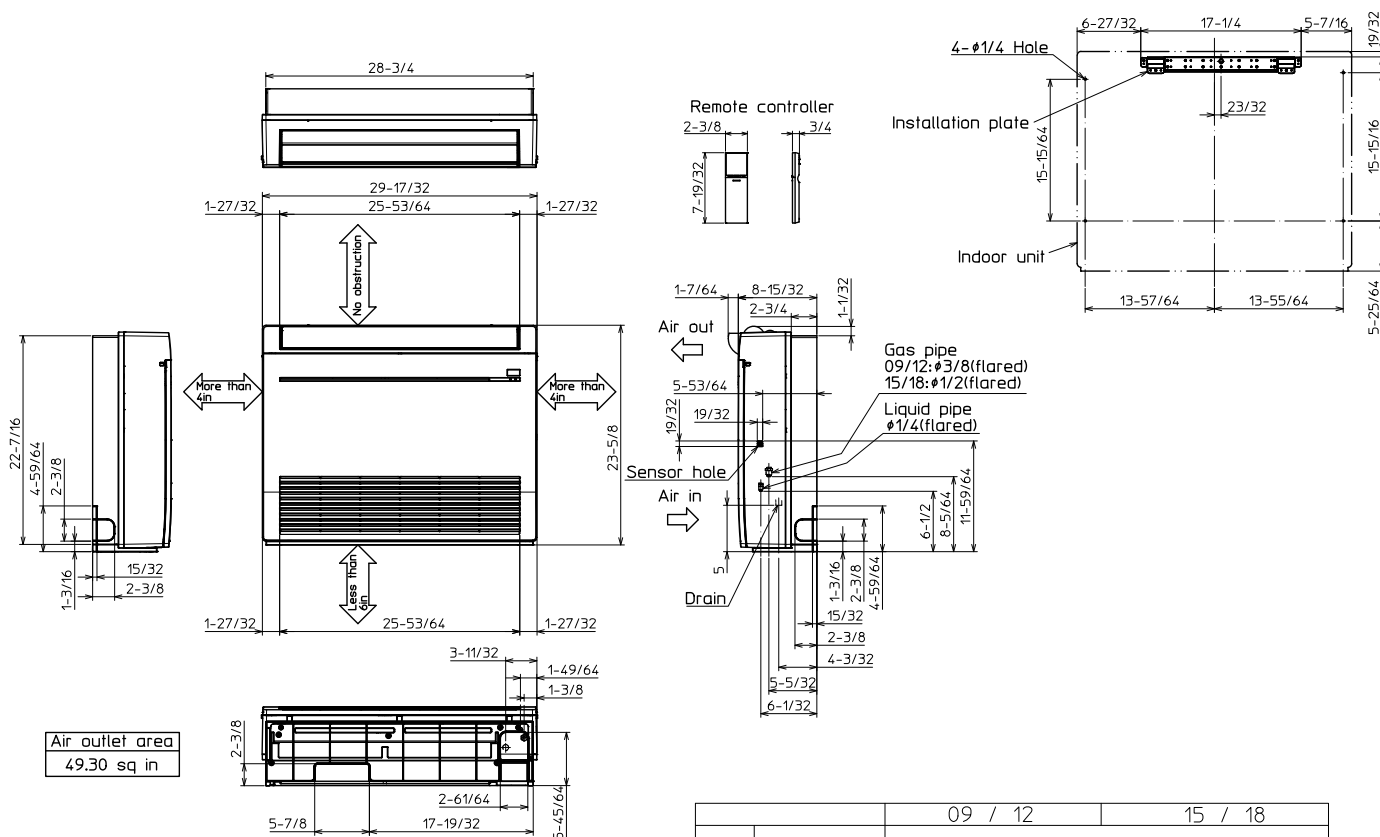
| | |
|---|-------------------------|
| Anti-allergy Enzyme Filter | □ MAC-408FT-E |
| kumo touch™ RedLINK™ Wireless Controller | □ MHK2 |
| Deluxe MA Remote Controller ¹ | □ PAR-40MAAU |
| Simple MA Controller ¹ | □ PAC-YT53CRAU-J |
| Touch MA Controller ¹ | □ PAR-CT01MAU-SB |
| Wired Remote Sensor | □ M21-EAA-307 |
| Wireless Temperature and Humidity Sensor | □ PAC-USWHS003-TH-1 |
| System Control Interface ² | □ MAC-334IF-E |
| Wireless Interface 2 | □ PAC-USWHS002-WF-2 |
| Thermostat Interface | □ PAC-US444CN-1 |
| kumo station® | □ PAC-WHS01HC-E |
| USNAP Interface | □ PAC-WHS01UP-E |
| IT Extender | □ PAC-WHS01IE-E |
| BACnet® and MODBUS® Interface | □ PAC-UKPRC001-CN-1 |
| External Fan / Heater Control Relay Adapter | □ CN24RELAY-KIT-CM3 |
| Lockdown Bracket for Hand-held Remote Controllers | □ RCMKP1CB |
| Blue Diamond Sensor Extension Cable — 15 Ft. | □ C13-103 |
| Blue Diamond Alarm Extension Cable — 6.5 Ft. | □ C13-192 |
| Blue Diamond MultiTank — collection tank for use with multiple pumps | □ C21-014 |
| Blue Diamond Rubber Foot Pads | □ F10-010 |
| Mini Condensate Pump — 230 volt application | □ SI30-230 |
| MegaBlue Advanced Blue Diamond Condensate Pump w/ Reservoir & Sensor | □ X87-835 - 110 to 250V |
| MaxiBlue Advanced Blue Diamond Mini Condensate Pump w/ Reservoir & Sensor (110V) up to 48,000 BTU/H [recommended] | □ X87-711 - 110V |
| Advanced Blue Diamond Mini Condensate Pump w/ Reservoir & Sensor (208/230V) [recommended] | □ X87-721 - 208/230V |
| MicroBlue Blue Diamond Mini Condensate Pump (110/208/230V) up to 18,000 BTU/H | □ X85-003 |
| Fascia Kit for MicroBlue Pump – mounts the MicroBlue and sensor directly beneath the indoor unit | □ T18-016 |
| Drain Pan Level Sensor | □ SS610E |
| (30A/600V/UL) [fits 2" X 4" utility box] - Black | □ TAZ-MS303 |
| (30A/600V/UL) [fits 2" X 4" utility box] - White | □ TAZ-MS303W |
| Guides air flow for floor mount model when a concealer is used to hide the floor mount. | □ MAC-760FD-E |

¹ Requires MAC-334IF-E

² Allows indoor units to connect to an MA Controller

DIMENSIONS: MFZ-KJ18NA

Unit: inch



Air outlet area
49.30 sq in

| | | 09 / 12 | 15 / 18 |
|------------|---------------------------|--------------------------|---|
| Pipe cover | For liquid line | 1-1/16 O.D | |
| | For gas line | 1-1/16 O.D | 1-7/32 O.D |
| Piping | Liquid line | Flared connection 1/4 | |
| | Gas line | Flared connection 3/8 | Flared connection 1/2 |
| Drain hose | Heat insulator 1-9/64 O.D | Connection point 5/8 O.D | Effective length 13-25/32 (case of right backward piping) |

FORM# MFZ-KJ18NA FOR MXZ-C MULTI-ZONE HEAT PUMP SYSTEMS - 202003

1340 Satellite Boulevard, Suwanee, GA 30024
Toll Free: 800-433-4822 www.mehvac.com



Specifications are subject to change without notice.

© 2020 Mitsubishi Electric Trane HVAC US LLC. All rights reserved.