



Features

- Modular design allows it to be moved around corners and through doorways with ease.
- Durable high gloss finish.
- Geometric back wall provides visual interest and ample storage.
- In-tub removable seat mounts directly to the back of the bath and rests on the apron.
- Includes 1-1/2" (38 mm) OD stainless steel grab bars.
- 18" (457 mm) bath depth (floor to top of threshold).
- 60" (1524 mm) x 32" (813 mm) x 74-1/4" (1886 mm) complete unit finished dimensions.

Material

- Compression molded from our exclusive Vikrell® material.

Installation

- Four-piece modular design with pivot "snap together" installation.
- Caulk-less seam installation.

Components

Product includes:

- 71151114 60" x 32" Bath with Seat
- 71154113 60" x 32" ADA Wall Set with Grab Bars



ADA

Codes/Standards

- CSA B45.5/IAPMO Z124
- ASTM E162
- ASTM E662
- Greenguard UL 2818 - Gold
- ADA
- ICC/ANSI A117.1
- HUD, UM Bulletin 73



Warranty – Bathing Fixtures (and) Kitchen and Utility Sinks Made of Solid Vikrell® Material

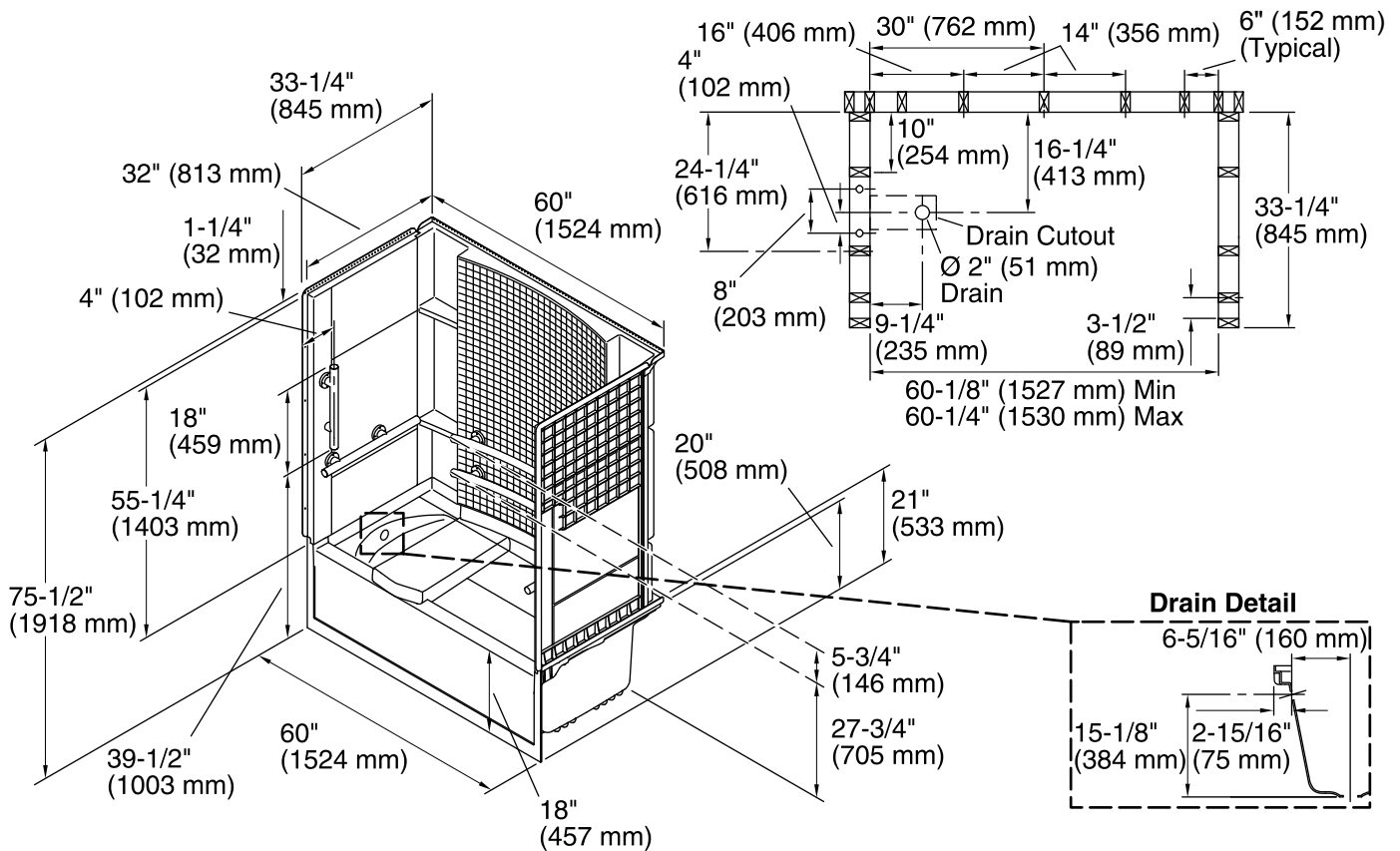
- STERLING® Warranty - Grab Bars**
- STERLING® Warranty - Bathing & Showering Seats**

See website for detailed warranty information.

Available Color/Finishes

Color tiles intended for reference only.

Color	Code	Description
	0	White
	96	KOHLER Biscuit



Technical Information

All product dimensions are nominal.

Installation:	3-Wall Alcove
Drain location:	Left
Basin area, bottom:	21-1/2" x 46-1/8" (546 mm x 1172 mm)
Basin area, top:	23" x 51" (584 mm x 1295 mm)
Water depth:	13-1/8" (333 mm)
Water capacity:	56 gal (212 L)
Maximum door height:	55-7/8" (1419 mm)
Maximum door width:	56-3/4" (1441 mm)

Notes

- Install this product according to the installation instructions.
- Studs should be positioned roughly as shown.
- Double studding is recommended for pivot shower door installations.
- Bath cannot be installed without the wall surround.
- ADA compliant when installed to the specific requirements of these regulations.