



VITREOUS CHINA

TOILET  
21-314

LAVATORIES

TOILETS

BIDETS / URINALS

CAST IRON

# ULTRA FLUSH® Pressure-Assist Toilet Elongated

14" Rough-in



### Features:

- Low Consumption 1.6 gpf (6.0 Lpf)
- Elongated Bowl
- Pressurized Flushing Action
- Close Coupled Flushometer Tank
- Siphon Jet
- Front Tank Lever
- 2 Bolt Caps



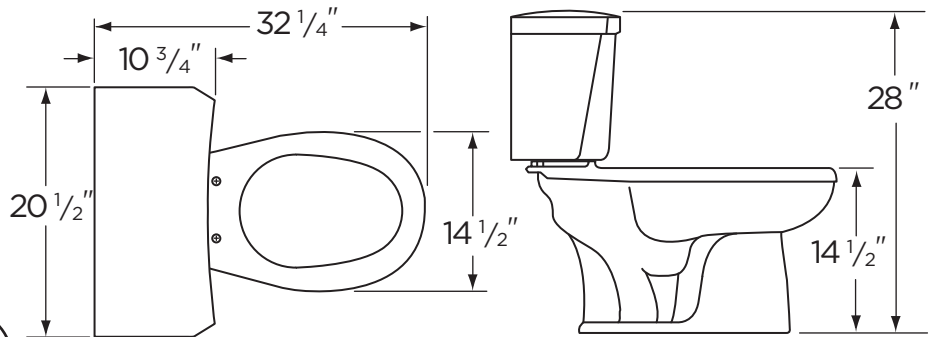
### Dimensions:

- Height ..... 28"
- Width ..... 20 1/2"
- Depth ..... 32 1/4"
- Rough-in ..... 14"
- Water Surface from Rim .... 4 1/2"
- Trapway (ave)\* ..... 3 1/3"
- Trapway (min) ..... 2"
- Water Surface..... 12 1/2" x 10 1/2"
- Water Seal ..... 2 1/2"
- Shipping Weight ..... 99 lbs

\*Average diameter of 26 equally spaced points throughout the trapway of 3 randomly selected bowls

**Specifications:** Bowl—#21-372 Elongated Bowl  
Seat not included

Tank—#28-384



THIS FIXTURE QUALIFIES ACCORDING TO ASME TEST PROCEDURES AS A LOW CONSUMPTION WATER CLOSET WITH AN AVERAGE CONSUMPTION OF 1.6 GAL. OR LESS.



www.gerberonline.com

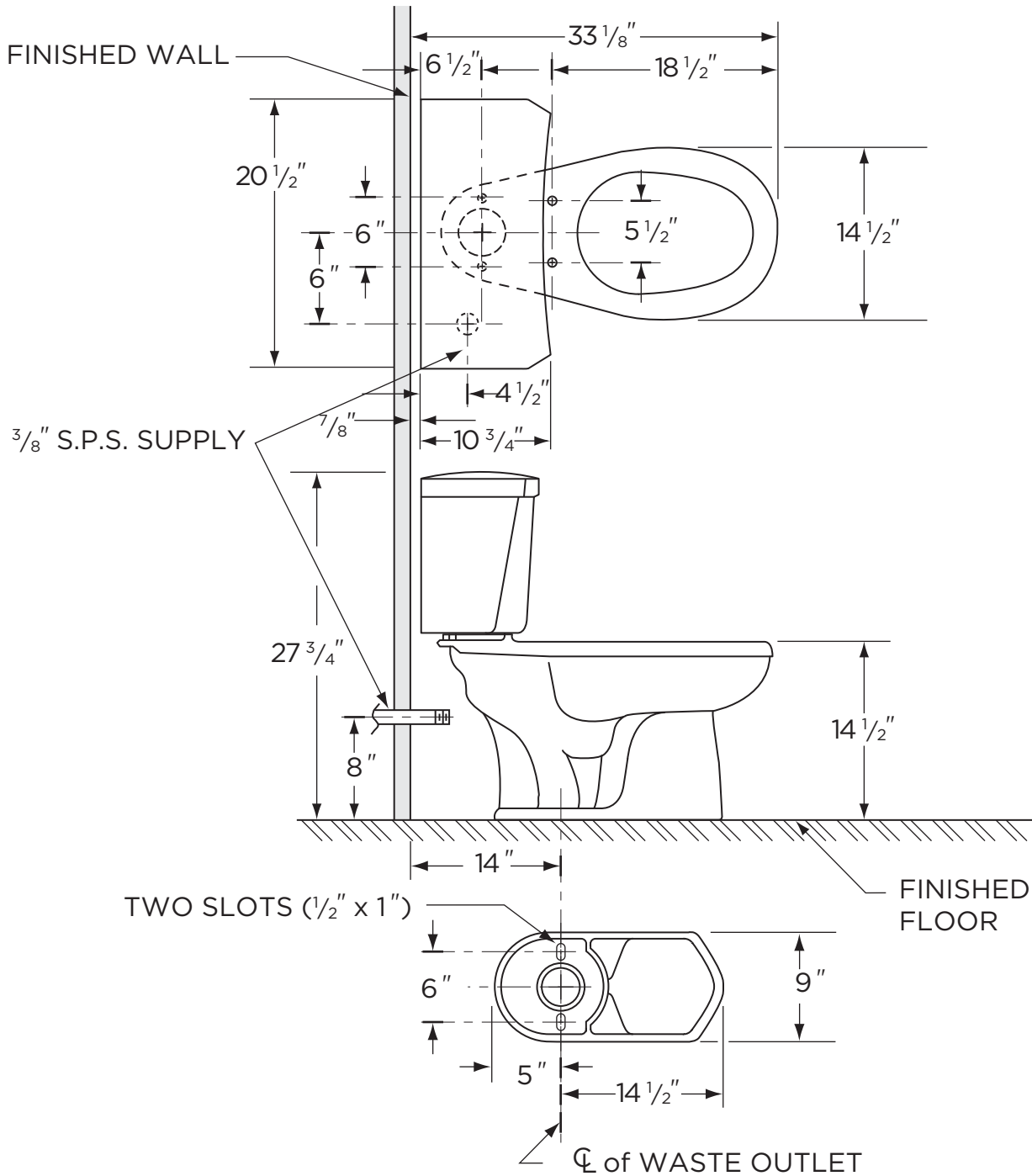
Job Name	
Date	
Model Specified	
Quantity	
Customer	
Contractor	
Architect/engineer	



1.6 gpf (6 Lpf) LOW CONSUMPTION ULTRA FLUSH® TOILET

21-314

Elongated, 14" Rough-in  
(Bowl 21-372 with Tank 28-384)



NOTES:  
All dimensions are in inches.

Illustrations may not be drawn  
to scale.

IMPORTANT:

Dimensions of fixtures are nominal and may vary  
within the range of tolerances established by ASME  
Standard A 112.19.2.

THIS FIXTURE QUALIFIES ACCORDING TO ASME  
TEST PROCEDURES AS A LOW CONSUMPTION  
WATER CLOSET WITH AN AVERAGE CONSUMPTION  
OF 1.6 gpf (6 Lpf) OR LESS.