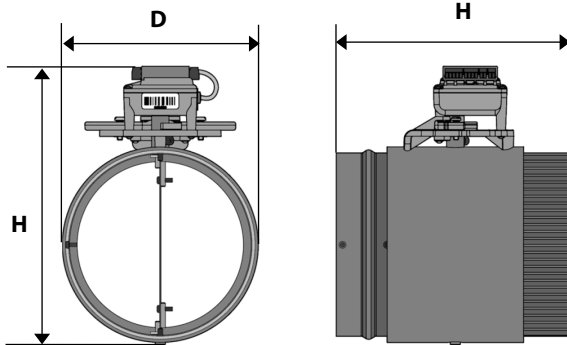


Job Name:

Schedule Reference:

Date:

## AIRZONE ZBS 8" WIRED INTELLIGENT ROUND DAMPER



### TECHNICAL SPECIFICATIONS

#### Damper with actuator

* Power supply		
Type of power supply	Vdc	
V max	12 V	
I max	250 mA	
Mechanical aspects		
Torque at the actuator axle	0.8 Nm	
Size	Weight	Dimensions (WxHxD)
08"	0.986 kg (2.17 lb)	215.9x271.7x208.0 mm (8.5x10.7x8.2")

\* All electrical work shall comply with National (CEC) and local codes and regulations.

### FEATURES / BENEFITS

#### Features:

- Input for detection of open windows.
- Input for detection of presence.
- Probe input.
- Remote probe function and distributed probe function.

It is prohibited to use a supplemental ducted heating system with Airzone.

#### Damper with actuator

Damper with actuator of 6, 8 or 10 inch diameter. Powered with 12 VDC by the zone module.

#### Zone module

Local control module for controlling the opening and closing of the damper. Communicated with zone thermostat through cable. Powered through system Airzone connection bus.

#### Zone module

* Power supply and consumption	
Type of power supply	Vdc
V max	12 V
I max	0.5 A
Stand-by consumption	0.6 W
Airzone connection bus	
Type of cable	Shielded and twisted
Communication wires	2 x 0.22 mm <sup>2</sup> (AWG 23 – 2 wired)
Power supply wires	2 x 0.5 mm <sup>2</sup> (AWG 20 – 2 wired)
Maximum distance	100 m (328 ft)
Thermostat connection	
Type of cable	Shielded and twisted
Communication wires	2 x 0.22 mm <sup>2</sup> (AWG 23 – 2 wired)
Power supply wires	2 x 0.5 mm <sup>2</sup> (AWG 20 – 2 wired)
Maximum distance	40 m (130 ft)
Digital and analog inputs	
Window and presence contacts	Voltage-free
Maximum distance	10 m (33 ft)
Analog input	NTC 10 KΩ at 25°C
Maximum distance	3 m (10 ft)

Note: Mitsubishi Electric (MESCA) supports the use of only MESCA supplied and approved accessories for proper functioning of the unit(s). Use of non-MESCA supported accessories will affect warranty coverage.

Notes: