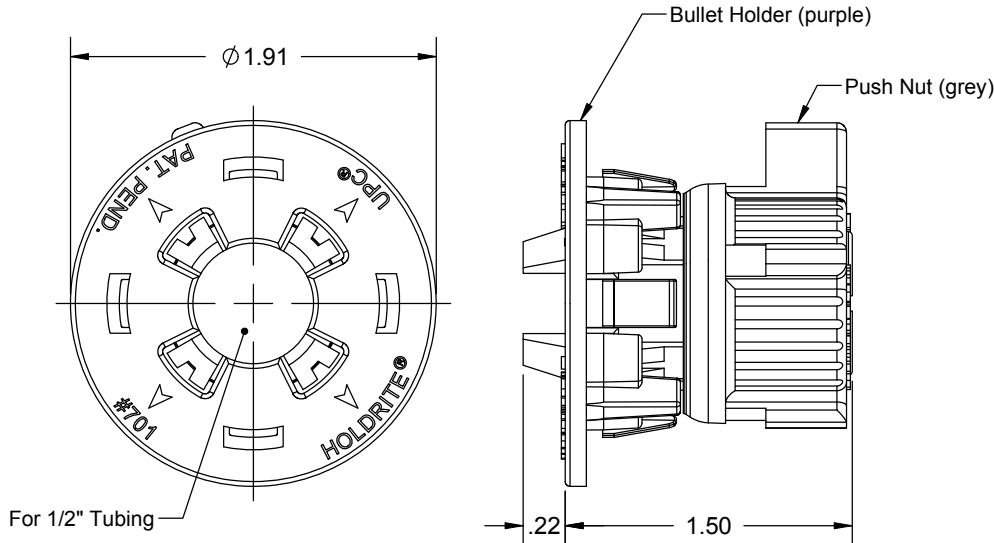
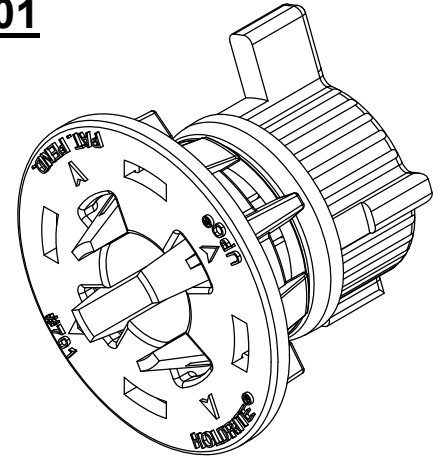


PRODUCT SPECIFICATION DRAWING

HOLDRITE® LOCK-n-LOAD™ #701



The **HOLDRITE® LOCK-n-LOAD™ #701** is a clamp that mounts into our **#103, #709, #110-R or #721 Series Bracket**. This clamp requires no hardware to install and is designed to firmly grip fixture stub-outs such as bullets or similar 1/2" CTS tubing. The **HOLDRITE LOCK-n-LOAD #701** is for use with **PEXRITE Brackets only**.

Product Information:

- Material: Nylon
- Color: Purple (Bullet Holder), Grey (Push Nut)
- Temperature range: -10 °F to +140 °F (tentative)
- Load rating: 25 pounds
- UPC / IPC / IAPMO listed
- Materials meet UL94V-2 flame resistance



THIS INFORMATION IS PROPRIETARY TO HOLDRITE AND IS SUBJECT TO CHANGE WITHOUT NOTICE. IT MAY NOT BE REPRODUCED IN PART OR WHOLE WITHOUT WRITTEN AUTHORIZATION.

HOLDRITE®

CONVERTING MAKESHIFT METHODS INTO ENGINEERED SOLUTIONSSM
 800-321-0316 OR 760-744-6944 / FAX: 760-744-0507 / WWW.HOLDRITE.COM
 spec_701_RevJ

Product Submittal	
Job Name:	
Date:	
Part Number:	Qty:
Architect / Owner:	
Contractor:	
Notes:	