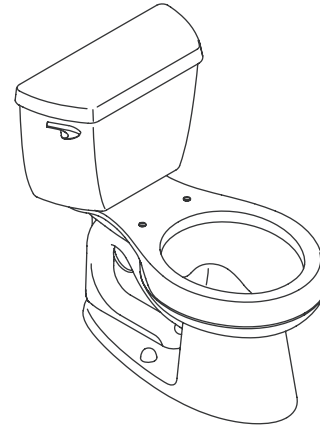


Features

- Vitreous china
- 12" (305 mm) rough-in
- Class Five® flushing system
- 2-1/8" (54 mm) glazed trapway
- Less seat and supply
- 1.6 gpf (6 lpf)
- Round-front
- Polished chrome trip lever
- 10-1/2" (267 mm) x 7-3/4" (197 mm) water area
- 27-1/2" (699 mm) x 19-5/8" (498 mm) x 28-1/4" (718 mm)



Codes/Standards Applicable

Specified model meets or exceeds the following:

- ASME A112.19.2/CSA B45.1

Colors/Finishes

- 0: White
- Other: Refer to Price Book for additional colors/finishes

Accessories

- 0: White
- CP: Polished Chrome
- PB: Vibrant® Polished Brass
- Other: Refer to Price Book for additional colors/finishes

Specified Model

Model	Description	Trip Lever	Colors/Finishes	
K-3576	Class Five toilet	left-hand	<input type="checkbox"/> 0	<input type="checkbox"/> Other _____
K-3576-RA	Class Five toilet	right-hand	<input type="checkbox"/> 0	<input type="checkbox"/> Other _____
K-3576-T	Class Five toilet with cover locks	left-hand	<input type="checkbox"/> 0	<input type="checkbox"/> Other _____
K-3576-TR	Class Five toilet with cover locks	right-hand	<input type="checkbox"/> 0	<input type="checkbox"/> Other _____

Recommended Accessories

K-4653	French Curve® seat with cover	<input type="checkbox"/> 0			<input type="checkbox"/> Other _____
K-4664	Brevia™ seat with cover	<input type="checkbox"/> 0			<input type="checkbox"/> Other _____
K-7637	Angle supply with stop – 3/8" NPT		<input type="checkbox"/> CP	<input type="checkbox"/> PB	<input type="checkbox"/> Other _____

Product Specification

The toilet with round-front bowl shall be made of vitreous china. Toilet shall be 27-1/2" (699 mm) in length, 19-5/8" (498 mm) in width, and 28-1/4" (718 mm) in height with a 10-1/2" (267 mm) x 7-3/4" (197 mm) water area. Toilet shall be 1.6 gpf (6 lpf) with Class Five™ flushing system. Toilet shall have 2-1/8" (54 mm) glazed trapway. Toilet shall include polished chrome trip lever. Toilet shall be 12" (305 mm) rough-in, less seat and supply. Toilet shall be Kohler Model K-3576-_____-_____.

WELLWORTH®

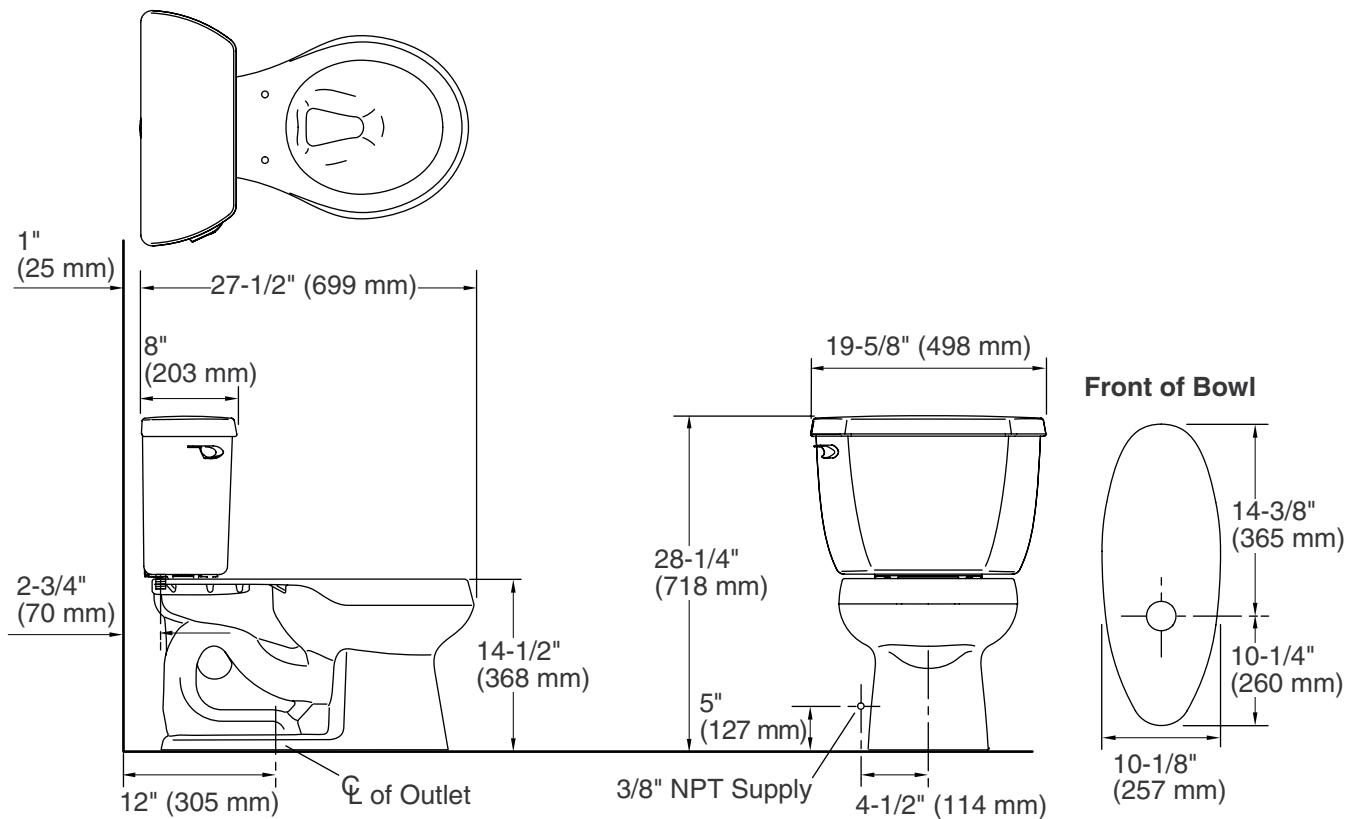
Technical Information

Fixture:	
Configuration	Two-piece, round-front
Water per flush	1.6 gal (6 L)
Passageway	2-1/8" (54 mm)
Water area	10-1/2" (267 mm) x 7-3/4" (197 mm)
Water depth from rim	5-1/4" (133 mm)
Seat post hole centers	5-1/2" (140 mm)

Included components:	
Tank cover	84591
Toilet bowl	K-4299
Tank, left-hand trip lever	K-4632
Tank, right-hand trip lever	K-4632-RA
Trip lever, left-hand	K-9386-L
Trip lever, right-hand	K-9386-R
Trip lever, left-hand, cover lock tanks	K-9386-T-L
Bolt cap accessory pack	1013092
Tank accessory pack	1016548

Installation Notes

Install this product according to the installation guide.



Product Diagram