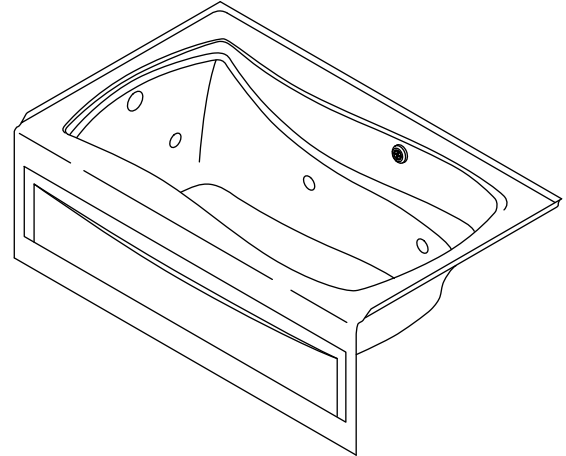


Features

- Acrylic
- Bask™ heated lumbar support with three temperature settings
- 5 individually adjustable ProFlex® hydro-massage jets
- Molded lumbar support and armrests for comfort
- Textured bottom surface
- Integral apron with removable access panel
- 3-wall alcove installation with integral tile flange
- Left or right drain
- 60" (1524 mm) x 36" (914 mm) x 21-1/4" (540 mm)

5' BATH WHIRLPOOL WITH INTEGRAL APRON AND BASK™ K-1239-LAW ALSO K-1239-RAW



Codes/Standards Applicable

Specified model meets or exceeds the following:

- UL 1795
- CSA B45.5/IAPMO Z124
- ASME A112.19.7/CSA B45.10
- ASTM E162
- ASTM E662

Colors/Finishes

- 0: White
- Other: Refer to Price Book for additional colors/finishes
- CP: Polished Chrome
- PB: Vibrant® Polished Brass

Specified Model

Model	Description	Colors/Finishes	
K-1239-LAW	5' Bath whirlpool with integral apron and Bask – left drain (shown)	<input type="checkbox"/> 0	<input type="checkbox"/> Other_____
K-1239-RAW	5' Bath whirlpool with integral apron and Bask – right drain	<input type="checkbox"/> 0	<input type="checkbox"/> Other_____

Recommended Accessories

K-7161-AF	Adjustable pop-up drain with tailpiece	<input type="checkbox"/> CP	<input type="checkbox"/> PB	<input type="checkbox"/> Other_____
-----------	--	-----------------------------	-----------------------------	-------------------------------------

Optional Accessories

K-9695	Metal finish 5 jet trim kit	<input type="checkbox"/> CP	<input type="checkbox"/> PB	<input type="checkbox"/> Other_____
--------	-----------------------------	-----------------------------	-----------------------------	-------------------------------------

Product Specification

The acrylic bath whirlpool shall be 60" (1524 mm) in length, 36" (914 mm) in width, and 21-1/4" (540 mm) in height. Bath shall feature Bask heated lumbar support with three temperature settings. Product shall have 5 individually adjustable ProFlex hydro-massage jets. Product shall feature molded lumbar support and armrests for comfort and textured bottom surface. Product shall have an integral apron with removable access panel. Product shall be for 3-wall alcove installation with integral tile flange. Product shall have left or right drain. Bath whirlpool shall be Kohler Model K-1239-_____-_____.

MARIPOSA®

Technical Information

Fixture*:	
Basin area:	
Bathing well, bottom	46" (1168 mm) x 24" (610 mm)
Bathing area, top	54" (1372 mm) x 27" (686 mm)
Weight	111 lbs (50.3 kg)
To overflow:	
Water depth	14" (356 mm)
Capacity	63 gal (238.5 L)
* Approximate measurements for comparison only.	

	V	Hz	A
1-speed pump	120	60	7
Heated surface	120	60	0.5

Required Electrical Service

Dedicated circuit required, protected with a Class A Ground-Fault Circuit-Interrupter (GFCI):	
Pump/Control/Heated surface	120 V, 15 A, 60 Hz

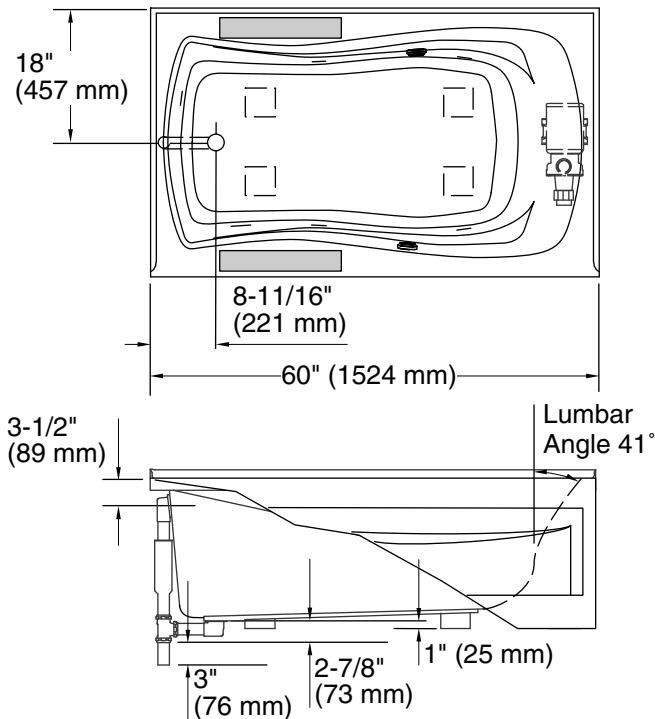
Installation Notes

Install this product according to the installation guide.

Floor support under whirlpool must provide for a minimum of 44 lbs/square foot (214 kg/square meter) loading.

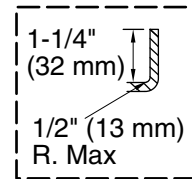
If installing a rim-mount faucet, make sure there is no interference with the drain overflow before drilling any holes. Consult local and national codes for minimum air gap requirements if installing a spout on the faucet deck.

Locate a GFCI-protected 120 V, 15 A, grounded duplex electrical outlet within 24" (610 mm) of the bath junction box.

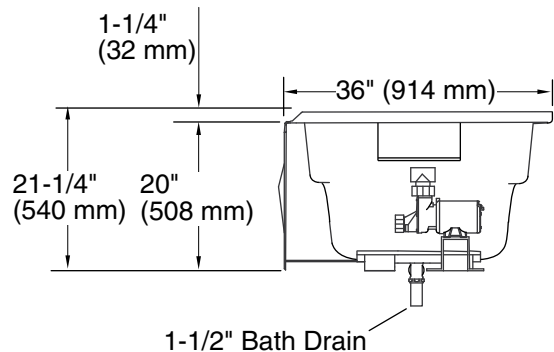


No change in measurements if connected with drain illustrated. (K-7161-AF)

Recommended Faucet Area



Integral Flange Detail



Product Diagram