

Features

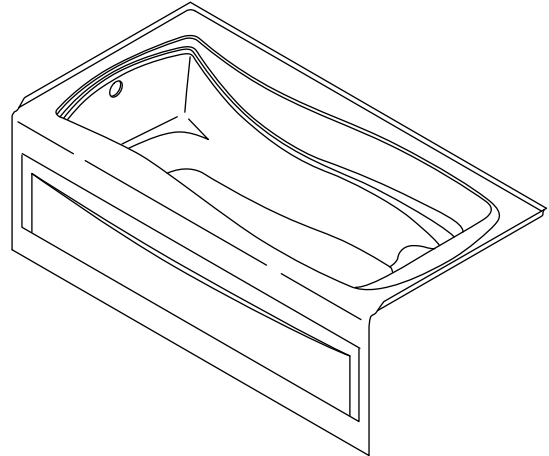
- Acrylic
- Bask™ heated lumbar support with three temperature settings
- Textured bottom surface
- Integral apron with removable access panel
- Integral tile flange
- 3-wall alcove installation
- Left or right drain
- 72" (1829 mm) x 36" (914 mm) x 20" (508 mm)

Codes/Standards Applicable

Specified model meets or exceeds the following:

- CSA B45.5/IAPMO Z124
- ASTM E162
- ASTM E662
- UL 1795

6' APRON BATH WITH BASK™ HEATED SURFACE K-1259-LAW ALSO K-1259-RAW



Colors/Finishes

- 0: White
- Other: Refer to Price Book for additional colors/finishes

Accessories

- CP: Polished Chrome
- PB: Vibrant® Polished Brass
- Other: Refer to Price Book for additional colors/finishes

Specified Model

Model	Description	Colors/Finishes	
K-1259-LAW	6' Apron bath with Bask heated surface – left-hand drain (shown)	<input type="checkbox"/> 0	<input type="checkbox"/> Other_____
K-1259-RAW	6' Apron bath with Bask heated surface – right-hand drain	<input type="checkbox"/> 0	<input type="checkbox"/> Other_____

Recommended Accessories			
K-7166-AF	Drain	<input type="checkbox"/> CP	<input type="checkbox"/> PB <input type="checkbox"/> Other_____

Product Specification

The acrylic bath shall be 72" (1829 mm) in length, 36" (914 mm) in width, and 20" (508 mm) in height. Bath shall feature Bask heated lumbar support with three temperature settings. Bath shall have textured bottom surface. Bath shall have integral apron with removable access panel and integral tile flange. Bath shall be for 3-wall alcove installation. Bath shall be available with left or right drain. Bath shall be Kohler Model K-1259-_____-_____.

MARIPOSA®

Technical Information

Fixture*:				
Bathing well:				
Basin area, bottom	50" (1270 mm) x 24" (610 mm)			
Basin area, top	65" (1651 mm) x 27" (686 mm)			
To overflow:				
Water depth	14" (356 mm)			
Capacity	72 gal (272.5 L)			
Weight	77 lbs (34.9 kg)			
* Approximate measurements for comparison only.				
Heater:	W	V	HZ	A
	65	120	60	.5

Installation Notes

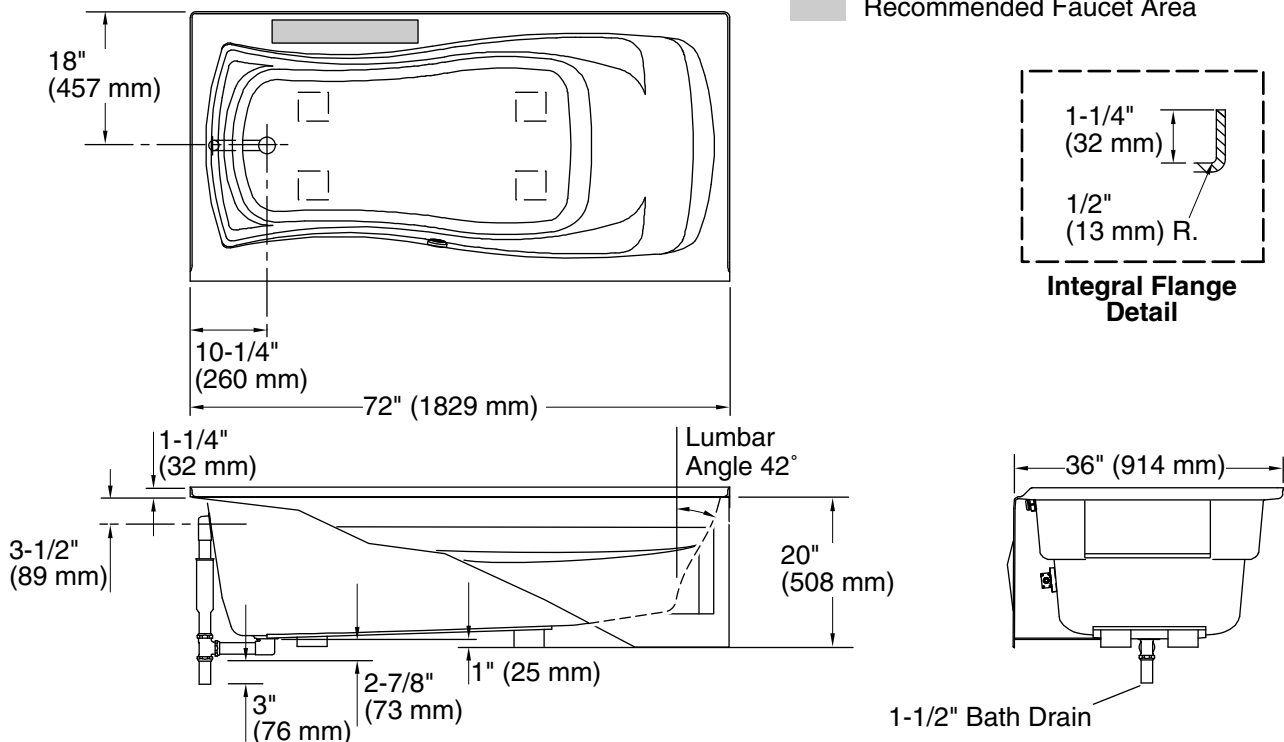
Install this product according to the installation guide.

Refer to installation instructions included with fixture before beginning installation.

NOTICE: Unless otherwise specified, floor support under the bath must provide for a minimum of 39 lbs/square foot (191 kg/square meter) loading.

Locate a GFCI-protected 120 V, 15 A, grounded electrical outlet within 24" (610 mm) of the bath junction box.

40" (1016 mm) cable is included.



Product Diagram